

VIP-8RPT-120AC/1AU/DI/PLC - Active module



2904576

<https://www.phoenixcontact.com/us/products/2904576>

Please be informed that the data shown in this PDF document is generated from our online catalog. Please find the complete data in the user documentation. Our general terms of use for downloads are valid.

VARIOFACE Professional digital input module with eight channels, each with a pluggable, N/O miniature relay, for 120 V AC



Your advantages

- Slim overall width of just 92.7 mm
- LED status indicator per signal path and supply voltage
- Plug-in miniature relays each with an N/O contact

Commercial data

Item number	2904576
Packing unit	1 pc
Note	Made to order (non-returnable)
Sales key	C423
Product key	DK2141
GTIN	4046356948876
Weight per piece (including packing)	330.5 g
Weight per piece (excluding packing)	99.99 g
Customs tariff number	85369010
Country of origin	US

VIP-8RPT-120AC/1AU/DI/PLC - Active module



2904576

<https://www.phoenixcontact.com/us/products/2904576>

Technical data

Product properties

Product type	Interface module
Product family	VARIOFACE Professional
No. of channels	8
Operating mode	100% operating factor
Mechanical service life	2x 10 ⁷ cycles

Electrical properties

Supported controller: SIEMENS S7-1500

Suitable I/O card	6ES7521-1BH00-0AB0
	6ES7521-1BH50-0AA0
	6ES7521-1BL00-0AB0

Supported controller: ALLEN-BRADLEY ControlLogix

Suitable I/O card	1756-IB32
	1756-IN16
	1756-IB16
	1756-IC16

Supported controller: ALLEN-BRADLEY PLC 5

Suitable I/O card	1771 IBN
	1771 OBN

Supported controller: ALLEN-BRADLEY SLC 500

Suitable I/O card	1746 IB 32
-------------------	------------

Supported controller: GE-FANUC RX3i

Suitable I/O card	IC694MDL754
	IC694MDL660

Supported controller: HONEYWELL Experion PKS C200

Suitable I/O card	TC-IDD 321
	TC-ODD 321

Supported controller: MITSUBISHI MELSEC Q

Suitable I/O card	QX81
	QY81P
	QX41
	QX41-S1
	QX42
	QX42-S1
	QX71
	QX72

VIP-8RPT-120AC/1AU/DI/PLC - Active module



2904576

<https://www.phoenixcontact.com/us/products/2904576>

	QY41P
	QY42P
	QY71
	QH42P
	QX82
	QX82-S1
	QY82P

Supported controller: MITSUBISHI MELSEC L

Suitable I/O card	LX41C4
	LX42C4
	LY41NT1P
	LY42NT1P
	LY41PT1P
	LY42PT1P

Input data

Nominal input voltage U_N	120 V AC \pm 10 % (Supply, 2 A)
Input voltage range in reference to U_N	0.9 ... 1.1
Input voltage range	108 V AC ... 132 V AC
Typical input current at U_N	3.5 mA (per channel)
Typical response time	6 ms
Typical release time	15 ms
Protective circuit	Freewheeling diode; Freewheeling diode
Operating voltage display	Green LED
Status display/channel	Yellow LED

Output data

Switching

Contact switching type	1 N/O contact
Contact material	AgSnO, hard gold-plated
Maximum switching voltage	24 V DC
	24 V DC
Minimum switching voltage	100 mV (10 mA)
Limiting continuous current	50 mA
Min. switching current	1 mA
Error detection (line break / short-circuit)	no

Connection data

Controller level

Connection method	IDC/FLK pin strip
Stripping length	8 mm
Number of connections	1
Number of positions	14

VIP-8RPT-120AC/1AU/DI/PLC - Active module



2904576

<https://www.phoenixcontact.com/us/products/2904576>

Pitch	2.54 mm
-------	---------

Field level

Connection method	Push-in connection
Stripping length	8 mm
Number of positions	14
Conductor cross-section rigid	0.14 mm ² ... 2.5 mm ²
Conductor cross-section flexible	0.14 mm ² ... 2.5 mm ²
Conductor cross-section AWG	26 ... 14

Signaling

Status display present	yes
------------------------	-----

Dimensions

Width	92.7 mm
Height	109.8 mm
Depth	63 mm

Material specifications

Color	gray (RAL 7042)
-------	-----------------

Environmental and real-life conditions

Ambient conditions

Ambient temperature (operation)	-20 °C ... 60 °C
Ambient temperature (storage/transport)	-20 °C ... 70 °C

Standards and regulations

Standards/regulations	DIN EN 50178
-----------------------	--------------

Mounting

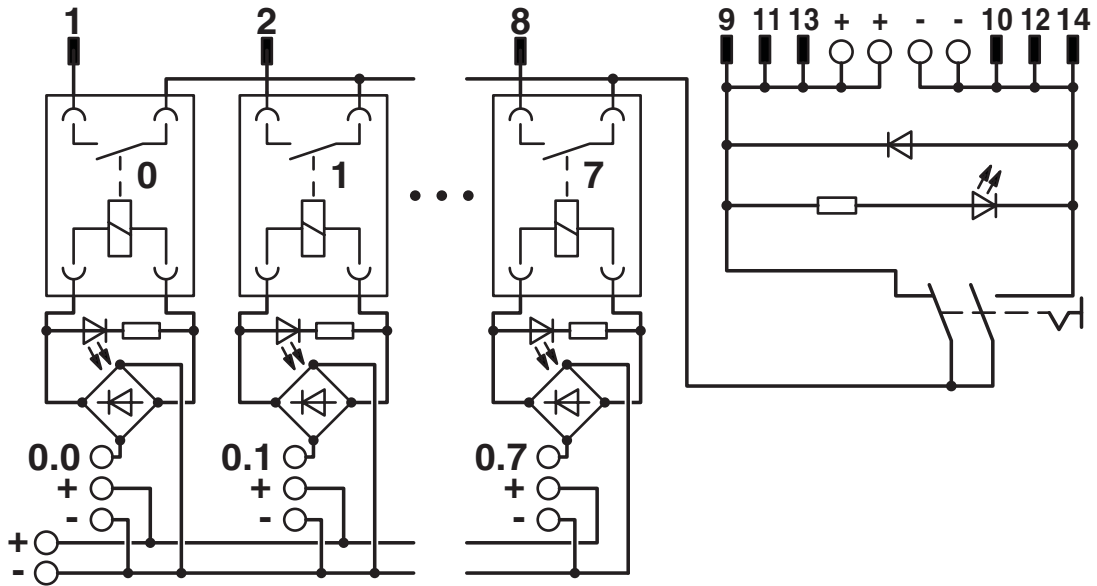
Mounting type	DIN rail mounting
Assembly note	in rows with zero spacing
Mounting position	any

Notes

Notes on operation	For proper use, the specifications of the installation directive (see Downloads) must be observed. For applications or use with third-party products, the specifications, and the safety and warning instructions of the respective third-party manufacturer must also be met.
--------------------	--

Drawings

Circuit diagram



VIP-8RPT-120AC/1AU/DI/PLC - Active module



2904576

<https://www.phoenixcontact.com/us/products/2904576>

Classifications

UNSPSC

UNSPSC 21.0	39121432
-------------	----------

VIP-8RPT-120AC/1AU/DI/PLC - Active module



2904576

<https://www.phoenixcontact.com/us/products/2904576>

Environmental product compliance

China RoHS

Environment friendly use period (EFUP)	EFUP-50 An article-related China RoHS declaration table can be found in the download area for the respective article under "Manufacturer declaration". For all articles with EFUP-E, no China RoHS declaration table issued and required.
--	--

EU REACH SVHC

REACH candidate substance (CAS No.)	No substance above 0.1 wt%
-------------------------------------	----------------------------

Phoenix Contact 2026 © - all rights reserved
<https://www.phoenixcontact.com>

Phoenix Contact USA
586 Fulling Mill Road
Middletown, PA 17057, United States
(+717) 944-1300
info@phoenixcon.com