

PSR-FTB/20/86 - Filter terminal block



2904477

<https://www.phoenixcontact.com/us/products/2904477>

Please be informed that the data shown in this PDF document is generated from our online catalog. Please find the complete data in the user documentation. Our general terms of use for downloads are valid.



Terminal block for filtering test pulses from safe semiconductor outputs with adjustable filter values (20 μ F/86 μ F), as well as for EMC filtering of 24 V signals up to an amperage of 2 A.

Commercial data

Item number	2904477
Packing unit	1 pc
Minimum order quantity	1 pc
Sales key	DN02
Product key	DNA35Z
GTIN	4046356831512
Weight per piece (including packing)	32.9 g
Weight per piece (excluding packing)	32.9 g
Customs tariff number	85369010
Country of origin	DE

Technical data

Notes

Note on application

Note on application	Only for industrial use
---------------------	-------------------------

Product properties

Product type	Filter terminal block
Area of application	Functional safety
Operating mode	100% operating factor

Insulation characteristics

Insulation	Basic insulation
Overvoltage category	II
Pollution degree	2

Electrical properties

Maximum power dissipation for nominal condition	4.8 W
Rated insulation voltage	50 V
Rated surge voltage	1.5 kV

Input data

Nominal input voltage U_N	24 V DC $\pm 20\%$ (Control voltage U_{ST} right/left)
Typical input current at U_N	max. 20 mA
Protective circuit	Surge protection

Output data

Nominal output voltage	24 V DC $\pm 20\%$ (Control voltage U_{ST} right/left)
Nominal output voltage range	19.2 V DC ... 28.8 V DC (Control voltage U_{ST} right/left)
Limiting continuous current	max. 2 A (in total for OUT1 + OUT2)
Load current range	530 mA

Connection data

Control circuits

Connection method	Push-in connection
Stripping length	8 mm
Conductor cross-section rigid	0.14 mm ² ... 2.5 mm ²
Conductor cross-section flexible	0.14 mm ² ... 2.5 mm ²
Conductor cross-section AWG	26 ... 14

Load circuit

Connection method	Push-in connection
Stripping length	8 mm
Conductor cross-section rigid	0.14 mm ² ... 2.5 mm ²

PSR-FTB/20/86 - Filter terminal block



2904477

<https://www.phoenixcontact.com/us/products/2904477>

Conductor cross-section flexible	0.14 mm ² ... 2.5 mm ²
Conductor cross-section AWG	26 ... 14

Dimensions

Width	6.2 mm
Height	94 mm
Depth	80 mm

Material specifications

Color	green (RAL 6021)
-------	------------------

Environmental and real-life conditions

Ambient conditions

Degree of protection	IP20
Ambient temperature (operation)	-25 °C ... 55 °C
Ambient temperature (storage/transport)	-25 °C ... 70 °C

Mounting

Mounting type	DIN rail mounting
Assembly note	in rows with zero spacing
Mounting position	Vertical (horizontal DIN rail)

PSR-FTB/20/86 - Filter terminal block

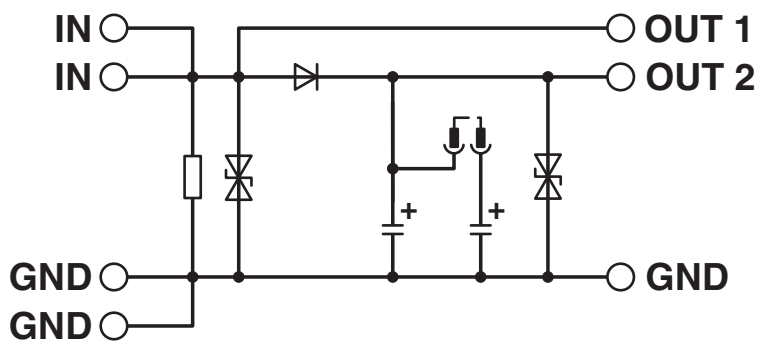


2904477

<https://www.phoenixcontact.com/us/products/2904477>

Drawings

Circuit diagram



Block diagram

PSR-FTB/20/86 - Filter terminal block



2904477

<https://www.phoenixcontact.com/us/products/2904477>

Classifications

ECLASS

ECLASS-13.0	27240692
ECLASS-15.0	27240692

ETIM

ETIM 10.0	EC002584
-----------	----------

UNSPSC

UNSPSC 21.0	39121400
-------------	----------

PSR-FTB/20/86 - Filter terminal block



2904477

<https://www.phoenixcontact.com/us/products/2904477>

Environmental product compliance

EU RoHS

Fulfills EU RoHS substance requirements	Yes
Exemption	7(a), 7(c)-I

China RoHS

Environment friendly use period (EFUP)	EFUP-50
	An article-related China RoHS declaration table can be found in the download area for the respective article under "Manufacturer declaration". For all articles with EFUP-E, no China RoHS declaration table issued and required.

EU REACH SVHC

REACH candidate substance (CAS No.)	Lead(CAS: 7439-92-1)
SCIP	1101a723-b1cc-45f7-ab58-ef222f83f9b6

EF3.1 Climate Change

CO2e kg	1.011 kg CO2e
---------	---------------

Phoenix Contact 2026 © - all rights reserved
<https://www.phoenixcontact.com>

Phoenix Contact USA
586 Fulling Mill Road
Middletown, PA 17057, United States
(+717) 944-1300
info@phoenixcon.com