

VIP-2/PT/FLK50/16/SLC500 - Passive module



2904287

<https://www.phoenixcontact.com/us/products/2904287>

Please be informed that the data shown in this PDF document is generated from our online catalog. Please find the complete data in the user documentation. Our general terms of use for downloads are valid.



VARIOFACE termination board to transmit max. 16 channels, with push-in connection, only in connection with FLKM 50-PA-SLC 500 OUT/2 A

Commercial data

Item number	2904287
Packing unit	1 pc
Note	Made to order (non-returnable)
Sales key	C423
Product key	DK212R
GTIN	4046356813747
Weight per piece (including packing)	171 g
Weight per piece (excluding packing)	171 g
Customs tariff number	85366990
Country of origin	US

2904287

<https://www.phoenixcontact.com/us/products/2904287>

Technical data

Product properties

Product type	Interface module
Product family	VARIOFACE Professional
Number of positions	50
No. of channels	16

Insulation characteristics

Overvoltage category	II
Pollution degree	2

Electrical properties

Max. permissible operating voltage	25 V AC
	60 V DC
Max. current carrying capacity per branch	1 A
Max. total current of voltage supply	2 A (per channel)

Supported controller: ALLEN-BRADLEY SLC 500

Suitable I/O card	1746 OA16
	1746 OW16

Connection data

Field level

Connection method	Push-in connection
Stripping length	8 mm
Conductor cross-section rigid	0.14 mm ² ... 2.5 mm ²
Conductor cross-section flexible	0.14 mm ² ... 2.5 mm ²
Conductor cross-section AWG	26 ... 14

Controller level

Connection method	IDC/FLK pin strip
Number of connections	1
Number of positions	50
Pitch	2.54 mm

Signaling

Status display	no
Status display present	no

Dimensions

Item dimensions

Width	92.7 mm
Height	72.1 mm

VIP-2/PT/FLK50/16/SLC500 - Passive module



2904287

<https://www.phoenixcontact.com/us/products/2904287>

Depth	56 mm
-------	-------

Material specifications

Color	gray (RAL 7042)
Flammability rating according to UL 94	V0
Housing insulation material	Polyamide PA non-reinforced

Environmental and real-life conditions

Ambient conditions

Ambient temperature (operation)	-20 °C ... 50 °C
Ambient temperature (storage/transport)	-20 °C ... 70 °C

Standards and regulations

Standards/regulations	EN 50178
-----------------------	----------

Mounting

Mounting type	DIN rail mounting
Mounting position	any

Notes

Notes on operation	For proper use, the specifications of the installation directive (see Downloads) must be observed. For applications or use with third-party products, the specifications, and the safety and warning instructions of the respective third-party manufacturer must also be met.
--------------------	--

VIP-2/PT/FLK50/16/SLC500 - Passive module

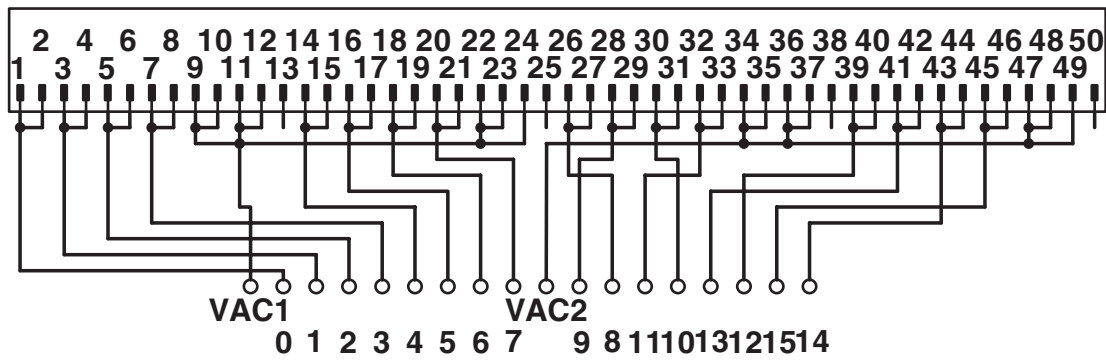


2904287

<https://www.phoenixcontact.com/us/products/2904287>

Drawings

Circuit diagram



Connection scheme VIP-2/.../FLK50/16/SLC500

VIP-2/PT/FLK50/16/SLC500 - Passive module



2904287

<https://www.phoenixcontact.com/us/products/2904287>

Classifications

UNSPSC

UNSPSC 21.0	39121432
-------------	----------

2904287

<https://www.phoenixcontact.com/us/products/2904287>

Environmental product compliance

EU RoHS

Fulfills EU RoHS substance requirements	Yes, No exemptions
---	--------------------

China RoHS

Environment friendly use period (EFUP)	EFUP-50
	An article-related China RoHS declaration table can be found in the download area for the respective article under "Manufacturer declaration". For all articles with EFUP-E, no China RoHS declaration table issued and required.

EU REACH SVHC

REACH candidate substance (CAS No.)	No substance above 0.1 wt%
-------------------------------------	----------------------------

Phoenix Contact 2026 © - all rights reserved

<https://www.phoenixcontact.com>

Phoenix Contact USA
586 Fulling Mill Road
Middletown, PA 17057, United States
(+717) 944-1300
info@phoenixcon.com