

# VIP-3/PT/HD62SUB/F - Termination board



2904275

<https://www.phoenixcontact.com/us/products/2904275>

Please be informed that the data shown in this PDF document is generated from our online catalog. Please find the complete data in the user documentation. Our general terms of use for downloads are valid.



VARIOFACE module, with push-in connections and high density D-SUB socket-strip for mounting on NS 35 rails, no. of pos.: 62

## Commercial data

Item number	2904275
Packing unit	1 pc
Minimum order quantity	1 pc
Sales key	C423
Product key	DK2122
GTIN	4046356814843
Weight per piece (including packing)	280.4 g
Weight per piece (excluding packing)	282.2 g
Customs tariff number	85366990
Country of origin	US

# VIP-3/PT/HD62SUB/F - Termination board



2904275

<https://www.phoenixcontact.com/us/products/2904275>

## Technical data

### Product properties

Product type	Interface module
Product family	VARIOFACE Professional
Number of positions	62

### Insulation characteristics

Overvoltage category	II
Pollution degree	2

### Electrical properties

Operating voltage (AC)	25 V AC
Operating voltage (DC)	60 V DC
Current (per branch)	≤ 1 A
Rated surge voltage	1.2 kV

### Connection data

#### Connection 1 (control level)

Connection method	High-density D-SUB socket strip
Screw thread	UNC 4-40
Number of connections	1
Number of positions	62

#### Connection 2 (field level)

Connection in acc. with standard	IEC / EN
Connection method	Push-in connection
Stripping length	8 mm
Number of positions	63
Conductor cross-section rigid	0.14 mm <sup>2</sup> ... 2.5 mm <sup>2</sup>
Conductor cross-section flexible	0.14 mm <sup>2</sup> ... 2.5 mm <sup>2</sup>
Conductor cross-section AWG	24 ... 12

### Signaling

Status display	no
Status display present	no

### Dimensions

#### Item dimensions

Width	113 mm
Height	75.8 mm
Depth	63 mm

### Material specifications

# VIP-3/PT/HD62SUB/F - Termination board



2904275

<https://www.phoenixcontact.com/us/products/2904275>

Color	gray (RAL 7042)
Flammability rating according to UL 94	V0
Housing insulation material	Polyamide PA non-reinforced

## Environmental and real-life conditions

### Ambient conditions

Ambient temperature (operation)	-20 °C ... 50 °C
Ambient temperature (storage/transport)	-20 °C ... 70 °C

## Standards and regulations

Standards/regulations	EN 50178
-----------------------	----------

## Mounting

Mounting type	DIN rail mounting
Mounting position	any

## Notes

Notes on operation	For proper use, the specifications of the installation directive (see Downloads) must be observed. For applications or use with third-party products, the specifications, and the safety and warning instructions of the respective third-party manufacturer must also be met.
--------------------	--

# VIP-3/PT/HD62SUB/F - Termination board

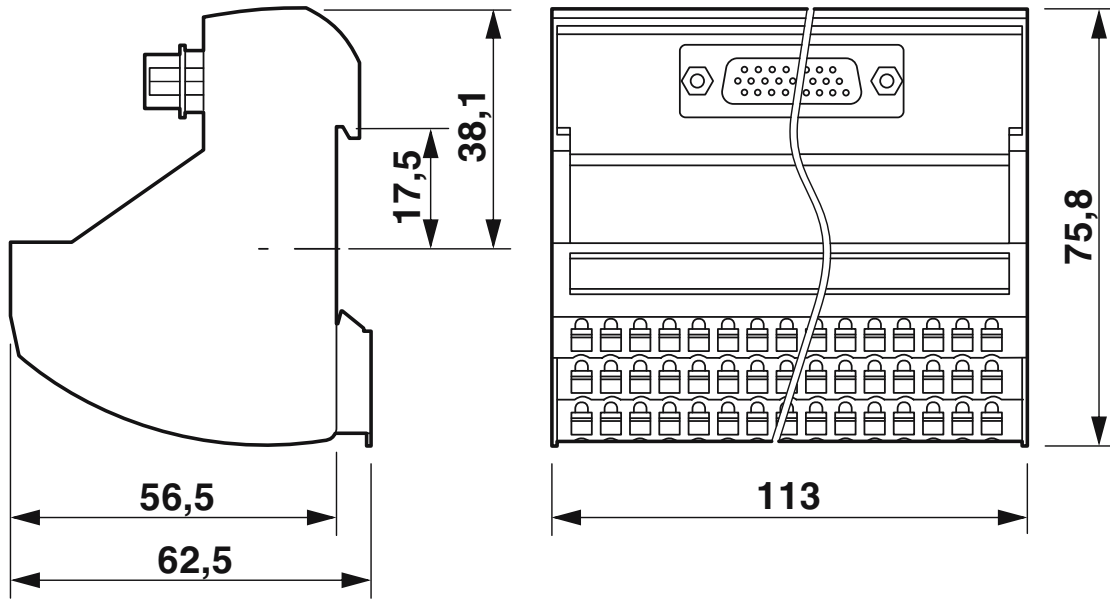


2904275

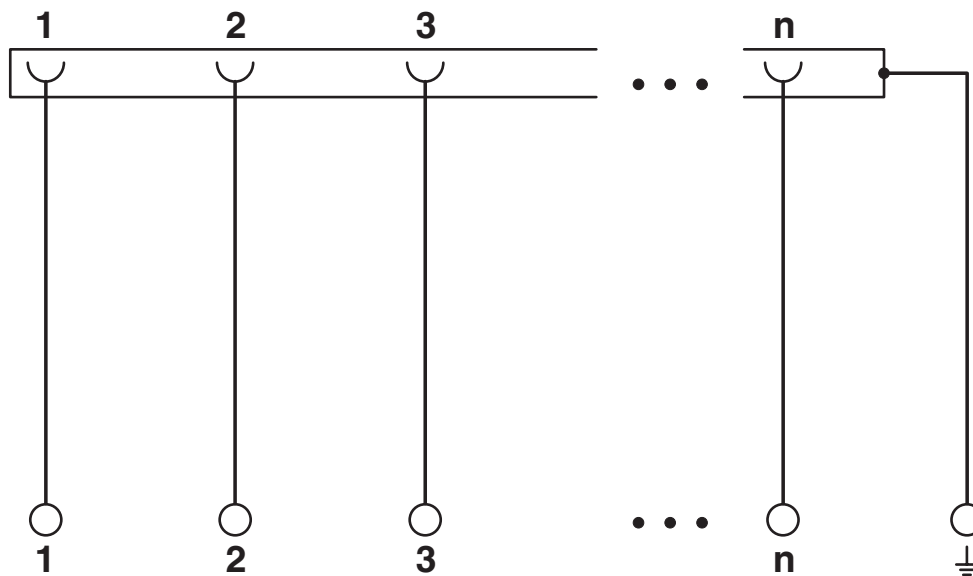
<https://www.phoenixcontact.com/us/products/2904275>

## Drawings

Dimensional drawing



Circuit diagram



Universal circuit diagram

# VIP-3/PT/HD62SUB/F - Termination board




2904275

<https://www.phoenixcontact.com/us/products/2904275>


## Approvals

To download certificates, visit the product detail page: <https://www.phoenixcontact.com/us/products/2904275>

 <b>CSA</b> Approval ID: 2122203				
	Nominal voltage $U_N$	Nominal current $I_N$	Cross section AWG	Cross section $\text{mm}^2$
keine				
	105 V	1 A	26 - 14	-

 <b>cUL Recognized</b> Approval ID: E238705				
	Nominal voltage $U_N$	Nominal current $I_N$	Cross section AWG	Cross section $\text{mm}^2$
keine				
	125 V	1 A	26 - 14	-

 <b>UL Recognized</b> Approval ID: E238705				
	Nominal voltage $U_N$	Nominal current $I_N$	Cross section AWG	Cross section $\text{mm}^2$
keine				
	125 V	1 A	26 - 14	-

 <b>CSAus</b> Approval ID: 2122203				
	Nominal voltage $U_N$	Nominal current $I_N$	Cross section AWG	Cross section $\text{mm}^2$
keine				
	105 V	1 A	28 - 14	-

# VIP-3/PT/HD62SUB/F - Termination board



2904275

<https://www.phoenixcontact.com/us/products/2904275>

## Classifications

### ECLASS

ECLASS-13.0	27141152
ECLASS-15.0	27141152

### ETIM

ETIM 10.0	EC002780
-----------	----------

### UNSPSC

UNSPSC 21.0	39121400
-------------	----------

# VIP-3/PT/HD62SUB/F - Termination board



2904275

<https://www.phoenixcontact.com/us/products/2904275>

## Environmental product compliance

### EU RoHS

Fulfills EU RoHS substance requirements	Yes
Exemption	6(c)

### China RoHS

Environment friendly use period (EFUP)	EFUP-50
	An article-related China RoHS declaration table can be found in the download area for the respective article under "Manufacturer declaration". For all articles with EFUP-E, no China RoHS declaration table issued and required.

### EU REACH SVHC

REACH candidate substance (CAS No.)	Lead(CAS: 7439-92-1)
SCIP	1ed42f3a-6899-4e2d-8d06-a33ba1c0a5aa

Phoenix Contact 2026 © - all rights reserved

<https://www.phoenixcontact.com>

Phoenix Contact USA  
586 Fulling Mill Road  
Middletown, PA 17057, United States  
(+717) 944-1300  
[info@phoenixcon.com](mailto:info@phoenixcon.com)