

VIP-3/PT/HD26SUB/M - Termination board



2904269

<https://www.phoenixcontact.com/us/products/2904269>

Please be informed that the data shown in this PDF document is generated from our online catalog. Please find the complete data in the user documentation. Our general terms of use for downloads are valid.



VARIOFACE module, with push-in connection and high density D-SUB miniature pin strip, for mounting on NS 35 rails, no. of pos.: 26

Commercial data

| | |
|--------------------------------------|---------------|
| Item number | 2904269 |
| Packing unit | 1 pc |
| Minimum order quantity | 1 pc |
| Sales key | C423 |
| Product key | DK2122 |
| GTIN | 4046356814782 |
| Weight per piece (including packing) | 123.6 g |
| Weight per piece (excluding packing) | 120 g |
| Customs tariff number | 85366990 |
| Country of origin | US |

2904269

<https://www.phoenixcontact.com/us/products/2904269>

Technical data

Product properties

| | |
|---------------------|------------------------|
| Product type | Interface module |
| Product family | VARIOFACE Professional |
| Number of positions | 26 |

Insulation characteristics

| | |
|----------------------|----|
| Overvoltage category | II |
| Pollution degree | 2 |

Electrical properties

| | |
|------------------------|---------|
| Operating voltage (AC) | 25 V AC |
| Operating voltage (DC) | 60 V DC |
| Current (per branch) | ≤ 1 A |
| Rated surge voltage | 1.2 kV |

Connection data

Connection 1 (control level)

| | |
|-----------------------|------------------------------|
| Connection method | High density D-SUB pin strip |
| Screw thread | UNC 4-40 |
| Number of connections | 1 |
| Number of positions | 26 |

Connection 2 (field level)

| | |
|----------------------------------|--|
| Connection in acc. with standard | IEC / EN |
| Connection method | Push-in connection |
| Stripping length | 8 mm |
| Number of positions | 27 |
| Conductor cross-section rigid | 0.14 mm ² ... 2.5 mm ² |
| Conductor cross-section flexible | 0.14 mm ² ... 2.5 mm ² |
| Conductor cross-section AWG | 24 ... 12 |

Signaling

| | |
|------------------------|----|
| Status display | no |
| Status display present | no |

Dimensions

Item dimensions

| | |
|--------|---------|
| Width | 52 mm |
| Height | 75.8 mm |
| Depth | 63 mm |

Material specifications

VIP-3/PT/HD26SUB/M - Termination board



2904269

<https://www.phoenixcontact.com/us/products/2904269>

| | |
|--|-----------------------------|
| Color | gray (RAL 7042) |
| Flammability rating according to UL 94 | V0 |
| Housing insulation material | Polyamide PA non-reinforced |

Environmental and real-life conditions

Ambient conditions

| | |
|---|------------------|
| Ambient temperature (operation) | -20 °C ... 50 °C |
| Ambient temperature (storage/transport) | -20 °C ... 70 °C |

Standards and regulations

| | |
|-----------------------|----------|
| Standards/regulations | EN 50178 |
|-----------------------|----------|

Mounting

| | |
|-------------------|-------------------|
| Mounting type | DIN rail mounting |
| Mounting position | any |

Notes

| | |
|--------------------|--|
| Notes on operation | For proper use, the specifications of the installation directive (see Downloads) must be observed. For applications or use with third-party products, the specifications, and the safety and warning instructions of the respective third-party manufacturer must also be met. |
|--------------------|--|

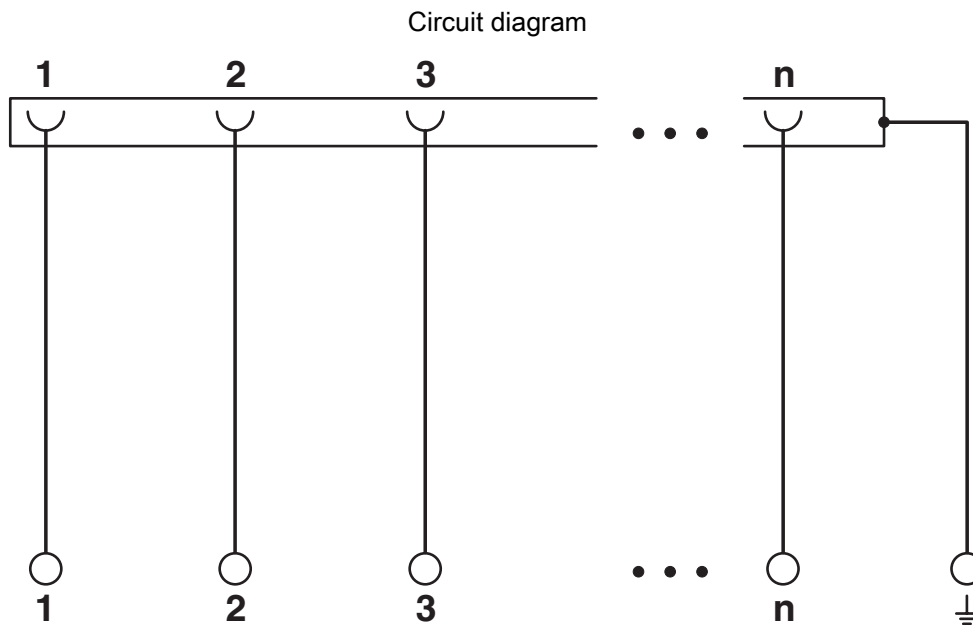
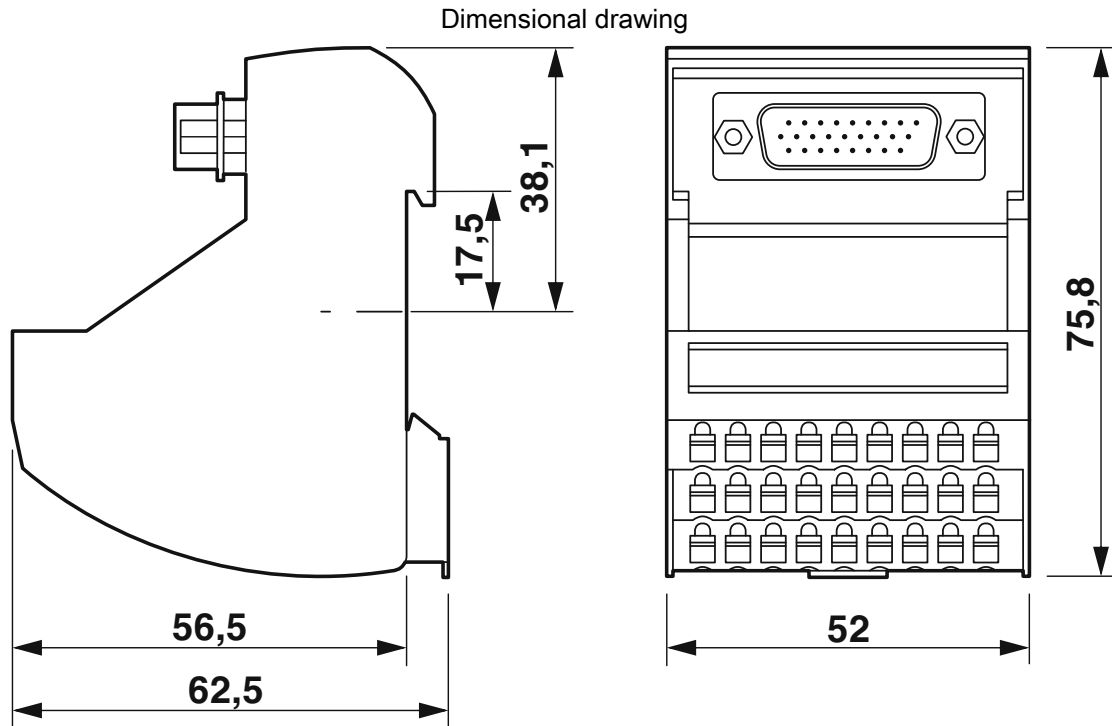
VIP-3/PT/HD26SUB/M - Termination board



2904269

<https://www.phoenixcontact.com/us/products/2904269>

Drawings



Universal circuit diagram

VIP-3/PT/HD26SUB/M - Termination board




2904269


<https://www.phoenixcontact.com/us/products/2904269>


Approvals

To download certificates, visit the product detail page: <https://www.phoenixcontact.com/us/products/2904269>

|  CSA Approval ID: 2122203 | | | | |
|--|-----------------------|-----------------------|-------------------|-----------------------------|
| | Nominal voltage U_N | Nominal current I_N | Cross section AWG | Cross section mm^2 |
| keine | | | | |
| | 105 V | 1 A | 26 - 14 | - |

|  cUL Recognized Approval ID: E238705 | | | | |
|---|-----------------------|-----------------------|-------------------|-----------------------------|
| | Nominal voltage U_N | Nominal current I_N | Cross section AWG | Cross section mm^2 |
| keine | | | | |
| | 125 V | 1 A | 26 - 14 | - |

|  UL Recognized Approval ID: E238705 | | | | |
|--|-----------------------|-----------------------|-------------------|-----------------------------|
| | Nominal voltage U_N | Nominal current I_N | Cross section AWG | Cross section mm^2 |
| keine | | | | |
| | 125 V | 1 A | 26 - 14 | - |

|  CSAus Approval ID: 2122203 | | | | |
|--|-----------------------|-----------------------|-------------------|-----------------------------|
| | Nominal voltage U_N | Nominal current I_N | Cross section AWG | Cross section mm^2 |
| keine | | | | |
| | 105 V | 1 A | 28 - 14 | - |

VIP-3/PT/HD26SUB/M - Termination board



2904269

<https://www.phoenixcontact.com/us/products/2904269>

Classifications

ECLASS

| | |
|-------------|----------|
| ECLASS-13.0 | 27141152 |
| ECLASS-15.0 | 27141152 |

ETIM

| | |
|-----------|----------|
| ETIM 10.0 | EC002780 |
|-----------|----------|

UNSPSC

| | |
|-------------|----------|
| UNSPSC 21.0 | 39121400 |
|-------------|----------|

VIP-3/PT/HD26SUB/M - Termination board



2904269

<https://www.phoenixcontact.com/us/products/2904269>

Environmental product compliance

EU RoHS

| | |
|---|------|
| Fulfills EU RoHS substance requirements | Yes |
| Exemption | 6(c) |

China RoHS

| | |
|--|---|
| Environment friendly use period (EFUP) | EFUP-50 |
| | An article-related China RoHS declaration table can be found in the download area for the respective article under "Manufacturer declaration". For all articles with EFUP-E, no China RoHS declaration table issued and required. |

EU REACH SVHC

| | |
|-------------------------------------|--------------------------------------|
| REACH candidate substance (CAS No.) | Lead(CAS: 7439-92-1) |
| SCIP | df8c680e-a3e8-4c55-a737-274f8cbc2de7 |

Phoenix Contact 2026 © - all rights reserved

<https://www.phoenixcontact.com>

Phoenix Contact USA
586 Fulling Mill Road
Middletown, PA 17057, United States
(+717) 944-1300
info@phoenixcon.com