

VIP-3/PT/FLK40/LED - Termination board



2904254

<https://www.phoenixcontact.com/us/products/2904254>

Please be informed that the data shown in this PDF document is generated from our online catalog. Please find the complete data in the user documentation. Our general terms of use for downloads are valid.



VARIOFACE module, with push-in connection and flat-ribbon cable connector, for mounting on NS 35 rails, with pin strip and short and long locking latches for socket strips, 40-pos., with LED

Commercial data

Item number	2904254
Packing unit	1 pc
Note	Made to order (non-returnable)
Sales key	C423
Product key	DK2121
GTIN	4046356813655
Weight per piece (including packing)	200.1 g
Weight per piece (excluding packing)	200.1 g
Customs tariff number	85366990
Country of origin	US

VIP-3/PT/FLK40/LED - Termination board



2904254

<https://www.phoenixcontact.com/us/products/2904254>

Technical data

Product properties

Product type	Interface module
Product family	VARIOFACE Professional
Number of positions	40

Insulation characteristics

Overvoltage category	II
Pollution degree	2

Electrical properties

Nominal voltage U_N	24 V DC
Max. current carrying capacity per branch	1 A

Connection data

Field level

Connection method	Push-in connection
Stripping length	8 mm
Conductor cross-section rigid	0.14 mm ² ... 2.5 mm ²
Conductor cross-section flexible	0.14 mm ² ... 2.5 mm ²
Conductor cross-section AWG	26 ... 14

Controller level

Connection method	IDC/FLK pin strip
Number of connections	1
Number of positions	40
Pitch	2.54 mm

Signaling

Status display	LED
Status display present	yes

Dimensions

Item dimensions

Width	77.4 mm
Height	75.8 mm
Depth	63 mm

Material specifications

Color	gray (RAL 7042)
Flammability rating according to UL 94	V0
Housing insulation material	Polyamide PA non-reinforced

VIP-3/PT/FLK40/LED - Termination board



2904254

<https://www.phoenixcontact.com/us/products/2904254>

Environmental and real-life conditions

Ambient conditions

Ambient temperature (operation)	-20 °C ... 50 °C
Ambient temperature (storage/transport)	-20 °C ... 70 °C

Standards and regulations

Standards/regulations	IEC 60664
	DIN EN 50178

Mounting

Mounting type	DIN rail mounting
Mounting position	any

Notes

Notes on operation	For proper use, the specifications of the installation directive (see Downloads) must be observed. For applications or use with third-party products, the specifications, and the safety and warning instructions of the respective third-party manufacturer must also be met.
--------------------	--

VIP-3/PT/FLK40/LED - Termination board

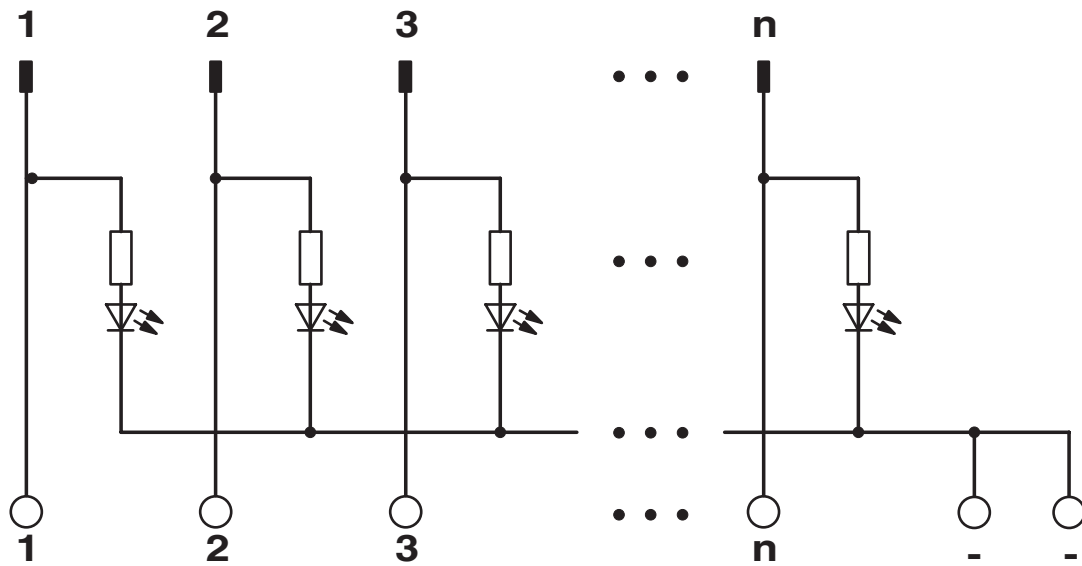


2904254

<https://www.phoenixcontact.com/us/products/2904254>

Drawings

Circuit diagram



VIP-3/PT/FLK40/LED - Termination board



2904254

<https://www.phoenixcontact.com/us/products/2904254>

Classifications

UNSPSC

UNSPSC 21.0	39121432
-------------	----------

VIP-3/PT/FLK40/LED - Termination board



2904254

<https://www.phoenixcontact.com/us/products/2904254>

Environmental product compliance

EU RoHS

Fulfills EU RoHS substance requirements	Yes
Exemption	7(c)-I

China RoHS

Environment friendly use period (EFUP)	EFUP-50
	An article-related China RoHS declaration table can be found in the download area for the respective article under "Manufacturer declaration". For all articles with EFUP-E, no China RoHS declaration table issued and required.

EU REACH SVHC

REACH candidate substance (CAS No.)	No substance above 0.1 wt%
-------------------------------------	----------------------------

Phoenix Contact 2026 © - all rights reserved
<https://www.phoenixcontact.com>

Phoenix Contact USA
586 Fulling Mill Road
Middletown, PA 17057, United States
(+717) 944-1300
info@phoenixcon.com