

MACX MCR-SL-RPSS-2I-2I-SP - Repeater power supply



2904090

<https://www.phoenixcontact.com/us/products/2904090>

Please be informed that the data shown in this PDF document is generated from our online catalog. Please find the complete data in the user documentation. Our general terms of use for downloads are valid.



2-channel repeater power supply for operating 2-conductor measuring transducers, input: 4 ... 20 mA (supplying), output: 4 ... 20 mA (active), bidirectional transmission with digital HART transparency, Push-in connection, SIL, PL.

Commercial data

Item number	2904090
Packing unit	1 pc
Minimum order quantity	1 pc
Sales key	C402
Product key	DK1111
GTIN	4046356773362
Weight per piece (including packing)	245 g
Weight per piece (excluding packing)	140 g
Customs tariff number	85437090
Country of origin	DE

MACX MCR-SL-RPSS-2I-2I-SP - Repeater power supply



2904090

<https://www.phoenixcontact.com/us/products/2904090>

Technical data

Product properties

Product type	Repeater power supply
Product family	MACX Analog
Application	Analog IN
No. of channels	2

Electrical properties

Electrical isolation between input and output	yes
Signal transmission behavior	In = Out
Step response (10-90%)	< 1.3 ms (for 4 mA ... 20 mA step)
Maximum temperature coefficient	< 0.01 %/K
Maximum transmission error	< 0.1 % (of final value 20 mA)
Transmission error, typical	< 0.05 % (of final value 20 mA)

Electrical isolation

Overvoltage category	II
Pollution degree	2

Electrical isolation Input/output, power supply IEC/EN 61010-1

Standards/regulations	IEC/EN 61010-1
Rated insulation voltage	300 V _{rms}
Test voltage	2.5 kV AC (50 Hz, 60 s)
Insulation	Safe isolation

Electrical isolation Output 1/output 2/ power supply

Test voltage	1.5 kV AC (50 Hz, 60 s)
--------------	-------------------------

Supply

Nominal supply voltage	24 V DC -20 % ... +25 %
Supply voltage range	19.2 V DC ... 30 V DC
Max. current consumption	< 100 mA (24 V DC / 20 mA)
Power dissipation	< 1.4 W (24 V DC / 20 mA)
Power consumption	≤ 2.4 W

Input data

Signal: Current

Number of inputs	2
Current input signal	4 mA ... 20 mA
Transmitter supply voltage	> 16 V (20 mA)
Underload/overload signal range	0 mA ... 24 mA

Output data

MACX MCR-SL-RPSS-2I-2I-SP - Repeater power supply



2904090

<https://www.phoenixcontact.com/us/products/2904090>

Signal

Output description	Current output
Number of outputs	2
Current output signal	4 mA ... 20 mA (active)
Load/output load current output	≤ 450 Ω (20 mA)
	≤ 375 Ω (24 mA)
Output behavior in the event of an error	< 3.6 mA (In the event of cable break at the input (as per NE 43))
	> 22.5 mA (In the event of cable short circuit at the input (as per NE 43))
Underload/overload signal range	0 mA ... 24 mA

Connection data

Connection method	Push-in connection
Stripping length	10 mm
Conductor cross-section rigid	0.2 mm ² ... 2.5 mm ²
Conductor cross-section flexible	0.2 mm ² ... 2.5 mm ²
Conductor cross-section flexible (2 conductors with same cross section)	0.25 mm ² ... 0.34 mm ² (TWIN ferrule without plastic sleeve)
	0.5 mm ² ... 1.5 mm ² (TWIN ferrule with plastic sleeve)
Conductor cross-section AWG	24 ... 14
	24 ... 22 (TWIN ferrule without plastic sleeve)
	20 ... 16 (TWIN ferrule with plastic sleeve)

Ex data

Ex installation (EPL)	Gc
	Div. 2

Interfaces

Data communication (bypass)

HART function	HART transparency
Protocols supported	HART

Signaling

Status display	Green LED (supply voltage)
----------------	----------------------------

Dimensions

Dimensional drawing	
Width	12.5 mm
Height	107.9 mm

MACX MCR-SL-RPSS-2I-2I-SP - Repeater power supply



2904090

<https://www.phoenixcontact.com/us/products/2904090>

Depth	113.7 mm
Depth NS 35/7,5	114.5 mm (Snapped onto DIN rail NS 35/7,5 in accordance with EN 60715)

Material specifications

Color	gray (RAL 7042)
Flammability rating according to UL 94 (Housing)	V0 (Housing)
Housing material	PA 6.6-FR

Environmental and real-life conditions

Ambient conditions

Degree of protection	IP20 (not assessed by UL)
Ambient temperature (operation)	-40 °C ... 60 °C (Any mounting position) -40 °C ... 70 °C (Derating)
Ambient temperature (storage/transport)	-40 °C ... 80 °C
Permissible humidity (operation)	10 % ... 95 % (non-condensing)

Altitude range (≤ 2000 m)

Altitude	≤ 2000 m (The technical data refers to altitudes ≤ 2000 m above mean sea level. For altitudes >2000 m above mean sea level, refer to the data sheet.)
Ambient temperature (operation)	-40 °C ... 60 °C -40 °C ... 70 °C (Derating)
Rated insulation voltage	375 V _{PP} (Power supply, input / output)

Altitude range (≤ 3000 m)

Height range	> 2000 m ... 3000 m
Ambient temperature (operation)	-40 °C ... 54 °C -40 °C ... 63 °C (Derating)
Rated insulation voltage	190 V AC (Power supply, input / output) 110 V DC (Power supply, input / output)

Altitude range (≤ 4000 m)

Height range	> 3000 m ... 4000 m
Ambient temperature (operation)	-40 °C ... 48 °C -40 °C ... 56 °C (Derating)
Rated insulation voltage	60 V AC/DC (Power supply, input / output)

Altitude range (≤ 5000 m)

Height range	> 4000 m ... 5000 m
Ambient temperature (operation)	-40 °C ... 42 °C -40 °C ... 49 °C (Derating)
Rated insulation voltage	60 V AC/DC (Power supply, input / output)

Approvals

CE

MACX MCR-SL-RPSS-2I-2I-SP - Repeater power supply



2904090

<https://www.phoenixcontact.com/us/products/2904090>

Certificate	CE-compliant
Note	and EN 61326

ATEX

Identification	Ⓜ II 3 G Ex ec IIC T4 Gc X
Certificate	PxCIF11ATEX2924825X

UKCA Ex (UKEX)

Identification	Ⓜ II 3 G Ex nA IIC T4 Gc
Certificate	PxCIF21UKEX2904089X

IECEX

Identification	Ex ec IIC T4 Gc
Certificate	IECEX BVS 10.0097X

CCC / China-Ex

Identification	Ex ec IIC T4 Gc
Certificate	2022122316115972

UL, USA/Canada

Identification	UL 508 Listed
	UL 61010 Listed
	Class I, Div. 2, Groups A, B, C, D T4
	Class I, Zone 2, Groups IIC, IIB, IIA T4

Shipbuilding approval

Certificate	DNV GL TAA000020C
-------------	-------------------

Safety Integrity Level (SIL, IEC 61508)

Identification	3
Certificate	BVS PB 04-13

Performance Level (ISO 13849)

Identification	d
----------------	---

Shipbuilding data

Temperature	B
Humidity	B
Vibration	A
EMC	A
Enclosure	Required protection according to the Rules shall be provided upon installation on board

EMC data

Electromagnetic compatibility	Conformance with EMC directive
Noise immunity	EN 61000-6-2
Note	When being exposed to interference, there may be minimal deviations.

MACX MCR-SL-RPSS-2I-2I-SP - Repeater power supply



2904090

<https://www.phoenixcontact.com/us/products/2904090>

Noise emission

Standards/regulations

EN 61000-6-4

Mounting

Mounting type

DIN rail mounting

MACX MCR-SL-RPSS-2I-2I-SP - Repeater power supply

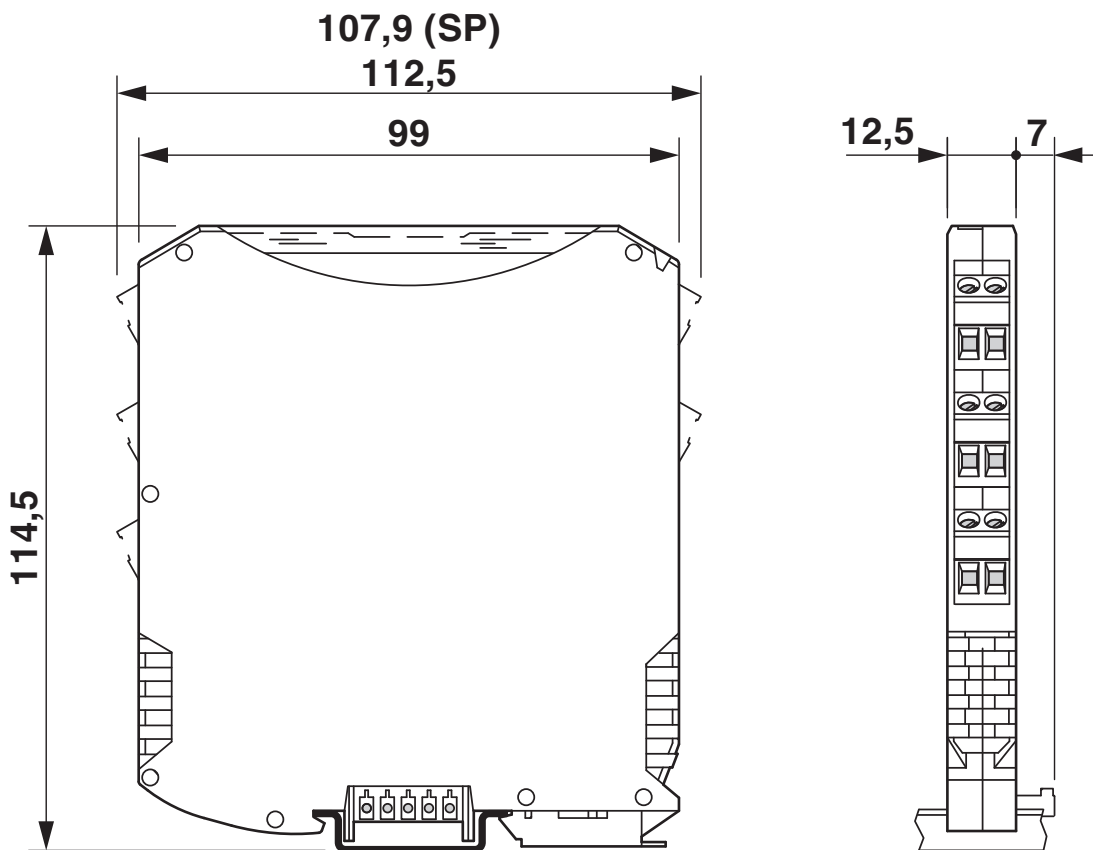


2904090

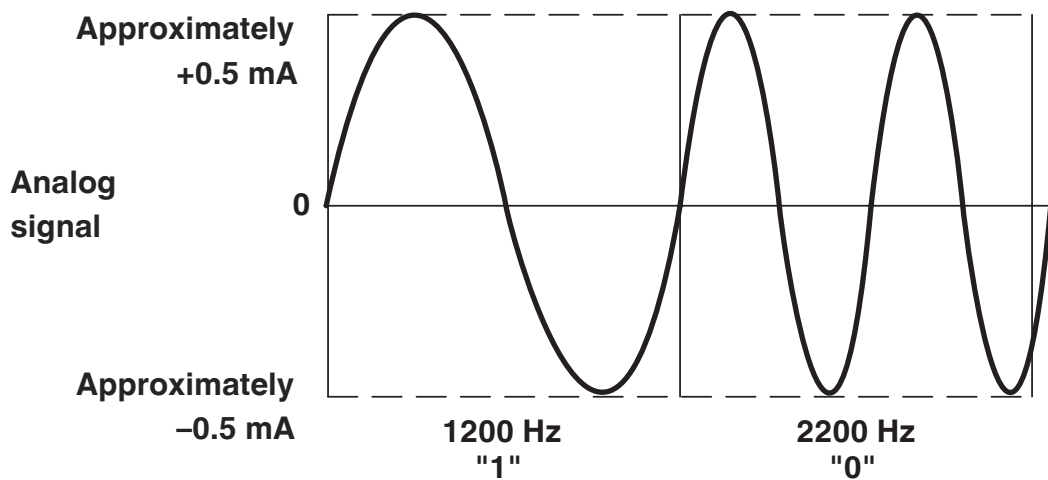
<https://www.phoenixcontact.com/us/products/2904090>

Drawings

Dimensional drawing



Diagram



Signal transmission analog and digital at the same time

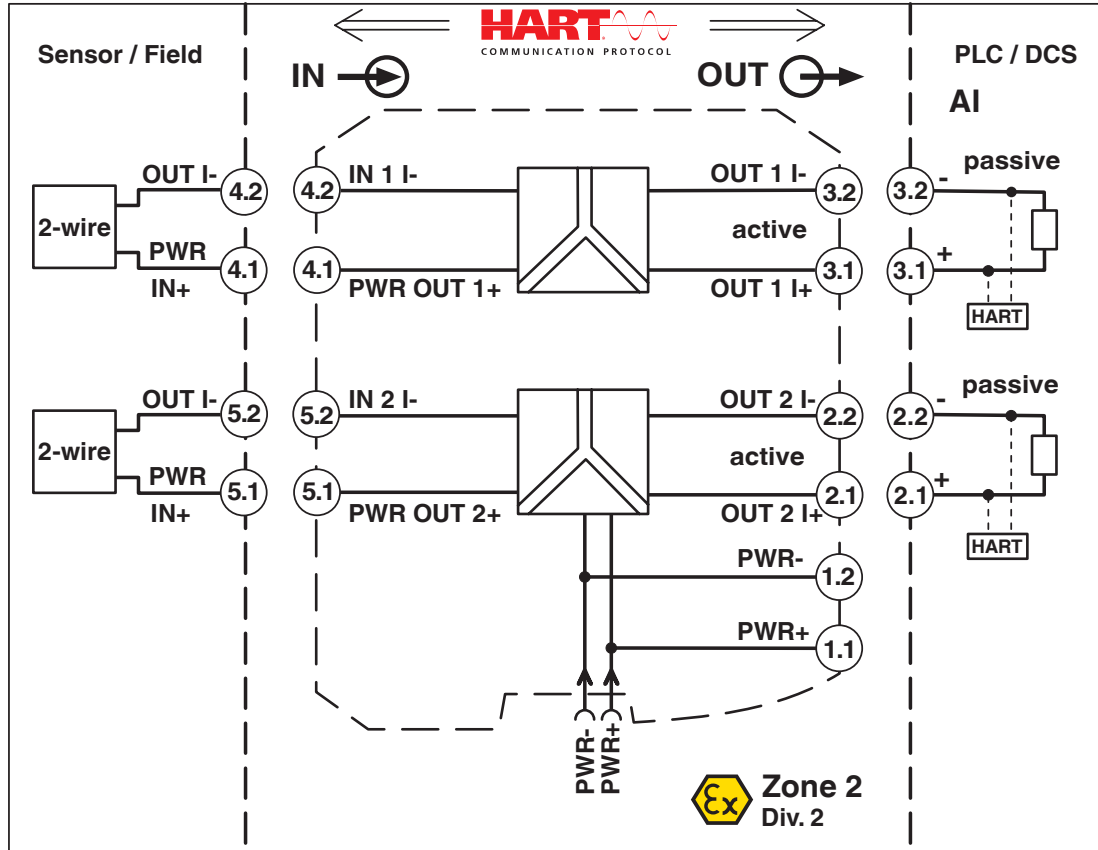
MACX MCR-SL-RPSS-2I-2I-SP - Repeater power supply



2904090

<https://www.phoenixcontact.com/us/products/2904090>

Block diagram



MACX MCR-SL-RPSS-2I-2I-SP - Repeater power supply



2904090

<https://www.phoenixcontact.com/us/products/2904090>

Approvals

To download certificates, visit the product detail page: <https://www.phoenixcontact.com/us/products/2904090>

DNV

Approval ID: TAA000020C



UL Listed

Approval ID: E330267

Functional Safety

Approval ID: BVS Pb 04/13



EAC Ex

Approval ID: BY/112 02.01 TP012xx



IECEx

Approval ID: IECEx BVS 10.0097X



CCC

Approval ID: 2022122316115972



cUL Listed

Approval ID: E199827



UL Listed

Approval ID: FILE E 199827

INMETRO

Approval ID: DNV 18.0139 X

MACX MCR-SL-RPSS-2I-2I-SP - Repeater power supply



2904090

<https://www.phoenixcontact.com/us/products/2904090>

Classifications

ECLASS

ECLASS-13.0	27210120
ECLASS-15.0	27210120

ETIM

ETIM 10.0	EC002653
-----------	----------

UNSPSC

UNSPSC 21.0	39121000
-------------	----------

MACX MCR-SL-RPSS-2I-2I-SP - Repeater power supply



2904090

<https://www.phoenixcontact.com/us/products/2904090>

Environmental product compliance

EU RoHS

Fulfills EU RoHS substance requirements	Yes
Exemption	6(c), 7(a), 7(c)-I

China RoHS

Environment friendly use period (EFUP)	EFUP-50
	An article-related China RoHS declaration table can be found in the download area for the respective article under "Manufacturer declaration". For all articles with EFUP-E, no China RoHS declaration table issued and required.

EU REACH SVHC

REACH candidate substance (CAS No.)	Lead(CAS: 7439-92-1)
	2,2',6,6'-tetrabromo-4,4'-isopropylidenediphenol(CAS: 79-94-7)
SCIP	06aa4af7-3a02-45b5-abe7-fdb02556d301

EF3.1 Climate Change

CO2e kg	9.064 kg CO2e
---------	---------------

Phoenix Contact 2026 © - all rights reserved
<https://www.phoenixcontact.com>

Phoenix Contact USA
586 Fulling Mill Road
Middletown, PA 17057, United States
(+717) 944-1300
info@phoenixcon.com