

RAD-PT100-4-IFS - I/O extension module



2904035

<https://www.phoenixcontact.com/us/products/2904035>

Please be informed that the data shown in this PDF document is generated from our online catalog. Please find the complete data in the user documentation. Our general terms of use for downloads are valid.

Radioline - I/O extension module, 4 Pt 100 inputs (-50°C ... +250°C / -58 °F ... 482 °F)



Your advantages

- Easy startup via thumbwheel
- Channel-to-channel electrical isolation
- Extended temperature range of -40 °C ... +70 °C
- Easy module replacement even during operation (hot swap)
- 4 Pt 100 inputs (-50 ... 250°C)
- Approved for use in zone 2



Commercial data

Item number	2904035
Packing unit	1 pc
Minimum order quantity	1 pc
Sales key	DN26
Product key	DNC61D
GTIN	4046356781961
Weight per piece (including packing)	181.08 g
Weight per piece (excluding packing)	125.6 g
Customs tariff number	85177900
Country of origin	DE

RAD-PT100-4-IFS - I/O extension module



2904035

<https://www.phoenixcontact.com/us/products/2904035>

Set consists of

ME 17,5 TBUS 1,5/ 5-ST-3,81 KMGY - DIN rail bus connector

2713645

<https://www.phoenixcontact.com/us/products/2713645>



DIN rail bus connector, color: light gray, nominal current: 8 A (parallel contacts), rated voltage (III/2): 125 V, number of positions: 5, product range: TBUS5-17,5..., pitch: 3.81 mm, mounting: DIN rail mounting, locking: without, mounting method: without, type of packaging: packed in cardboard, Item with gold-plated contacts, bus connectors for connecting with electronics housings, 5 parallel contacts

Technical data

Notes

Note on application

Note on application	Only for industrial use
---------------------	-------------------------

Product properties

Product type	Extension module
MTTF	1249 Years (SN 29500 standard, temperature 25°C, operating cycle 21%)
	506 Years (SN 29500 standard, temperature 40°C, operating cycle 34.25%)
	194 Years (SN 29500 standard, temperature 40°C, operating cycle 100%)

Insulation characteristics

Overvoltage category	II
Degree of pollution	2

Electrical properties

Rated insulation voltage	60 V (In accordance with EN/IEC 60079-7)
Electrical isolation	50 V (Rated insulation voltage (in each case between the Pt 100 inputs / TBUS supply, reinforced insulation in accordance with EN 61010))
	300 V (Rated insulation voltage (to adjacent devices, basic insulation in accordance with EN/IEC 61010))
Test voltage	1.5 kV AC (50 Hz, 1 min.)
Maximum power dissipation for nominal condition	0.912 W
Transient surge protection	yes

Supply

Supply voltage range	19.2 V DC ... 30.5 V DC (DIN rail bus connector)
Max. current consumption	≤ 38 mA (At 24 V DC, at 25°C)

Input data

Analog

Description of the input	Pt 100 input
Number of inputs	4
Connection technology	2-, 3-conductor
Temperature measuring range	-50 °C ... 250 °C
Measuring accuracy	0.1% (From the measuring range final value)
Process data channel	16 bit (per channel)
Max. permissible overall conductor resistance	25 Ω
Sensor input current	1 mA (constant)

RAD-PT100-4-IFS - I/O extension module



2904035

<https://www.phoenixcontact.com/us/products/2904035>

Connection data

Tightening torque	0.5 Nm ... 0.6 Nm
	5 lb _F -in. ... 7 lb _F -in.
Connection method	Screw connection
Stripping length	7 mm
Conductor cross-section, rigid min.	0.2 mm ²
Conductor cross-section, rigid max.	2.5 mm ²
Conductor cross-section flexible min.	0.2 mm ²
Conductor cross-section flexible max.	2.5 mm ²
Conductor cross-section AWG min.	24
Conductor cross-section AWG max.	14
Tightening torque	0.5 Nm ... 0.6 Nm
	5 lb _F -in. ... 7 lb _F -in.

Signaling

Status display	LED supply voltage, PWR (green)
	Green LED (bus communication, DAT)
	LED periphery error, ERR (red)

Dimensions

Dimensional drawing	
Width	17.5 mm
Height	113 mm
Depth	114.5 mm

Material specifications

Color (Housing)	gray (RAL 7042)
Material (Housing)	PA 6.6-FR
Flammability rating according to UL 94	V0

Environmental and real-life conditions

Ambient conditions

Degree of protection	IP20
Ambient temperature (operation)	-40 °C ... 70 °C
	-40 °F ... 158 °F
Ambient temperature (storage/transport)	-40 °C ... 85 °C

RAD-PT100-4-IFS - I/O extension module



2904035

<https://www.phoenixcontact.com/us/products/2904035>

	-40 °F ... 185 °F
Altitude	2000 m
Permissible humidity (operation)	20 % ... 85 %
Permissible humidity (storage/transport)	20 % ... 85 %
Shock	16g, 11 ms
Vibration (operation)	in accordance with IEC 60068-2-6: 5g, 10 Hz ... 150 Hz

Approvals

CE

Certificate	CE-compliant
-------------	--------------

ATEX

Identification	⊕ II 3 G Ex ec IIC T4 Gc
Certificate	IBExU 15 ATEX B008 X
Note	Please follow the special installation instructions in the documentation!

IECEX

Identification	Ex ec IIC T4 Gc
Certificate	IECEX IBE 13.0019X

UL, USA/Canada

Identification	508 Listed
	Class I, Div. 2, Groups A, B, C, D T4A
	Class I, Zone 2, IIC T4

CCC / China-Ex

Identification	Ex ec IIC T4 Gc
Certificate	2022122310115625

KC-s

Certificate	KTL 20-KA4BO-149X
-------------	-------------------

Corrosive gas test

Identification	ISA-S71.04-1985 G3 Harsh Group A
----------------	----------------------------------

EMC data

Electromagnetic compatibility	Conformance with EMC Directive 2014/30/EU
Noise immunity	EN 61000-6-2

Noise emission

Standards/regulations	EN 61000-6-4
-----------------------	--------------

Standards and regulations

Standard designation	EMC Directive 2014/30/EU
Standards/specifications	EN 61000-6-2
Standard designation	EMC Directive 2014/30/EU

RAD-PT100-4-IFS - I/O extension module



2904035

<https://www.phoenixcontact.com/us/products/2904035>

Standards/specifications	EN 61000-6-4
Standard designation	Ex Directive (ATEX)
Standards/specifications	EN 60079-0
Standard designation	Ex Directive (ATEX)
Standards/specifications	EN 60079-15

Mounting

Mounting type	DIN rail mounting
Assembly note	on standard DIN rail NS 35 in accordance with EN 60715
Mounting position	any
Useable DIN rail type	DIN rail: 35 mm

RAD-PT100-4-IFS - I/O extension module

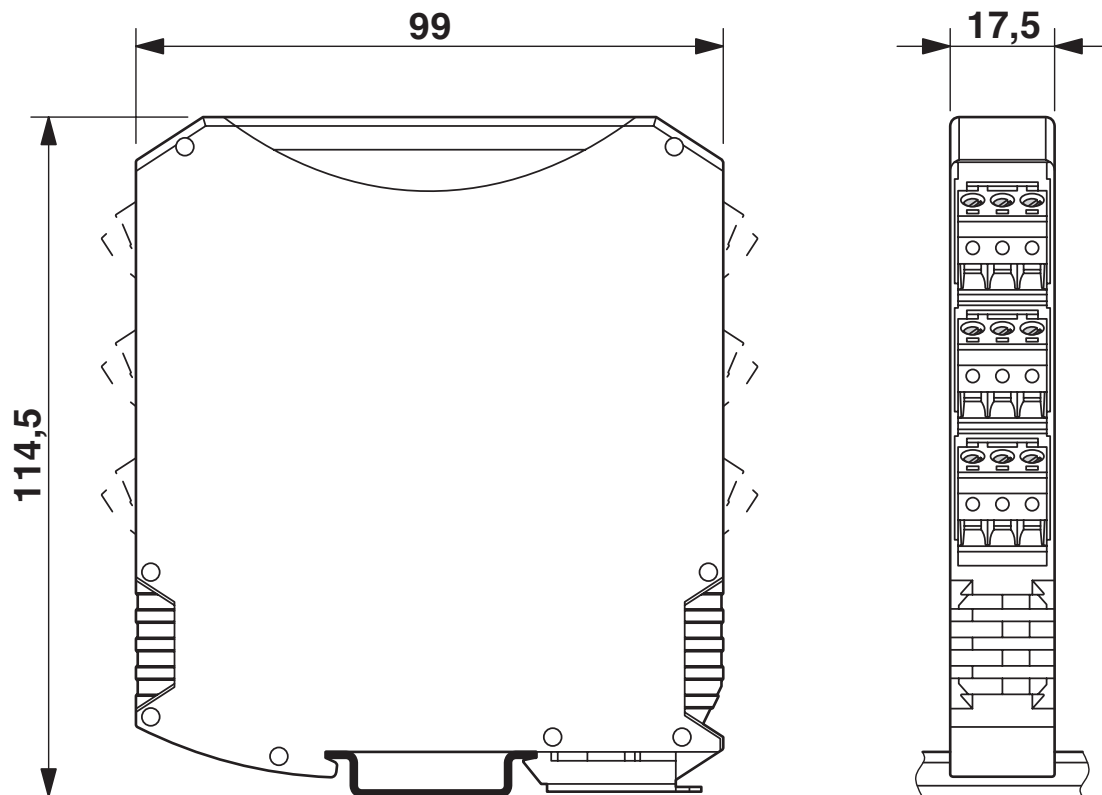
2904035

<https://www.phoenixcontact.com/us/products/2904035>



Drawings

Dimensional drawing



Slim design

RAD-PT100-4-IFS - I/O extension module



2904035

<https://www.phoenixcontact.com/us/products/2904035>

Application drawing



Wireless module in I/O data mode

Application drawing



Wireless module in PLC/Modbus RTU mode

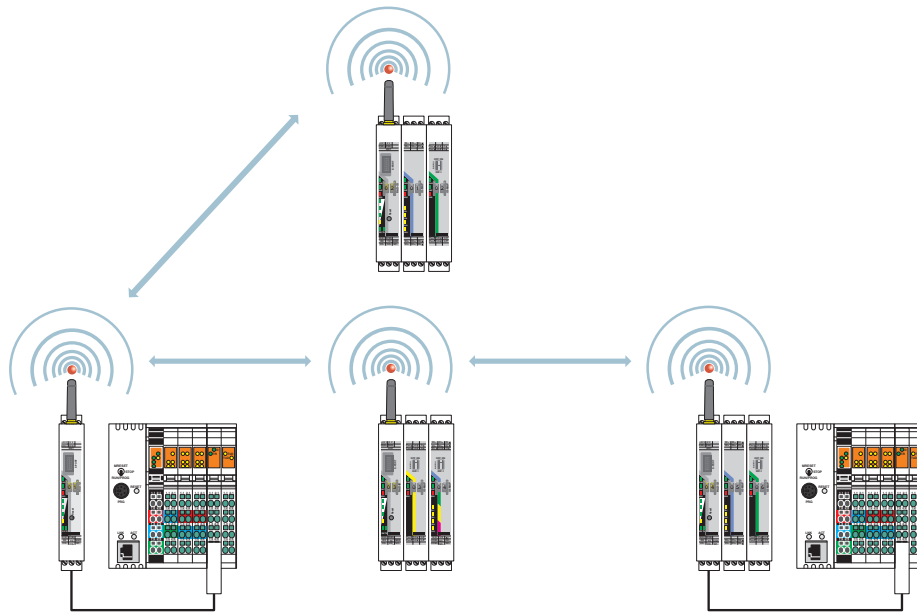
RAD-PT100-4-IFS - I/O extension module



2904035

<https://www.phoenixcontact.com/us/products/2904035>

Application drawing



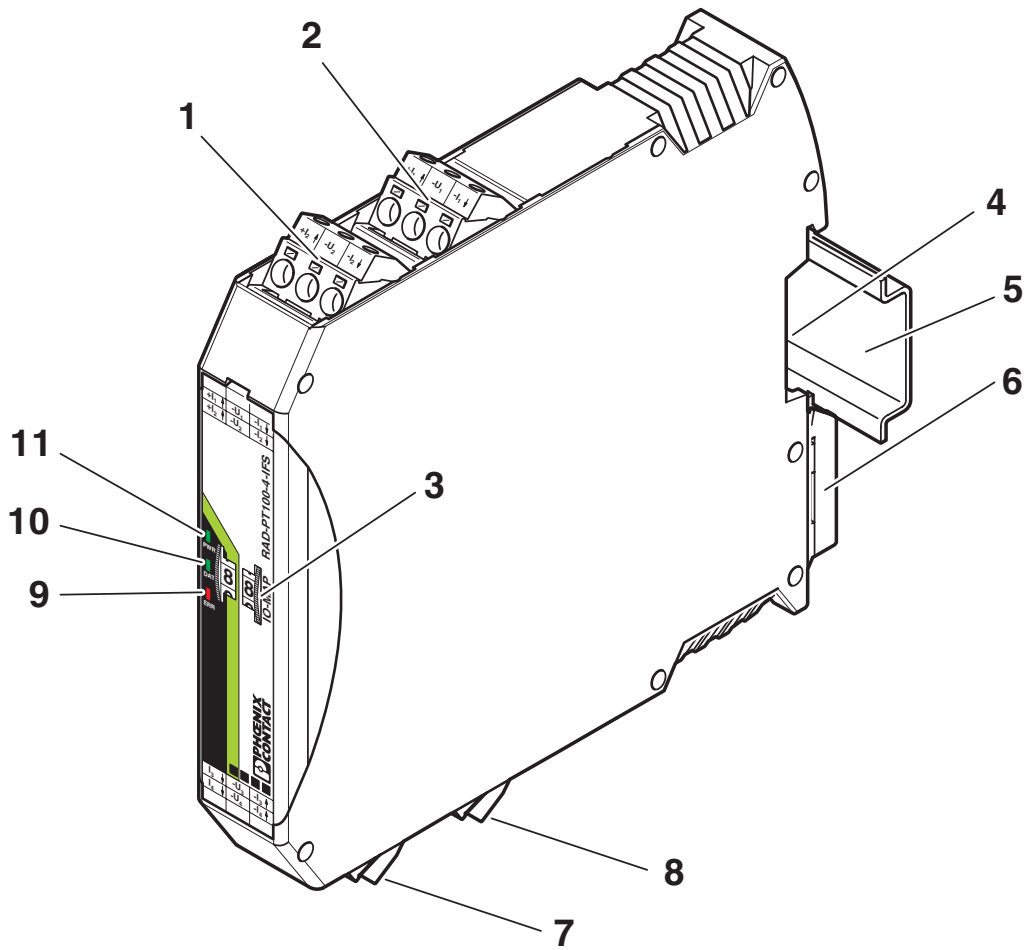
Wireless module in PLC/Modbus RTU dual mode

RAD-PT100-4-IFS - I/O extension module

2904035

<https://www.phoenixcontact.com/us/products/2904035>

Schematic diagram



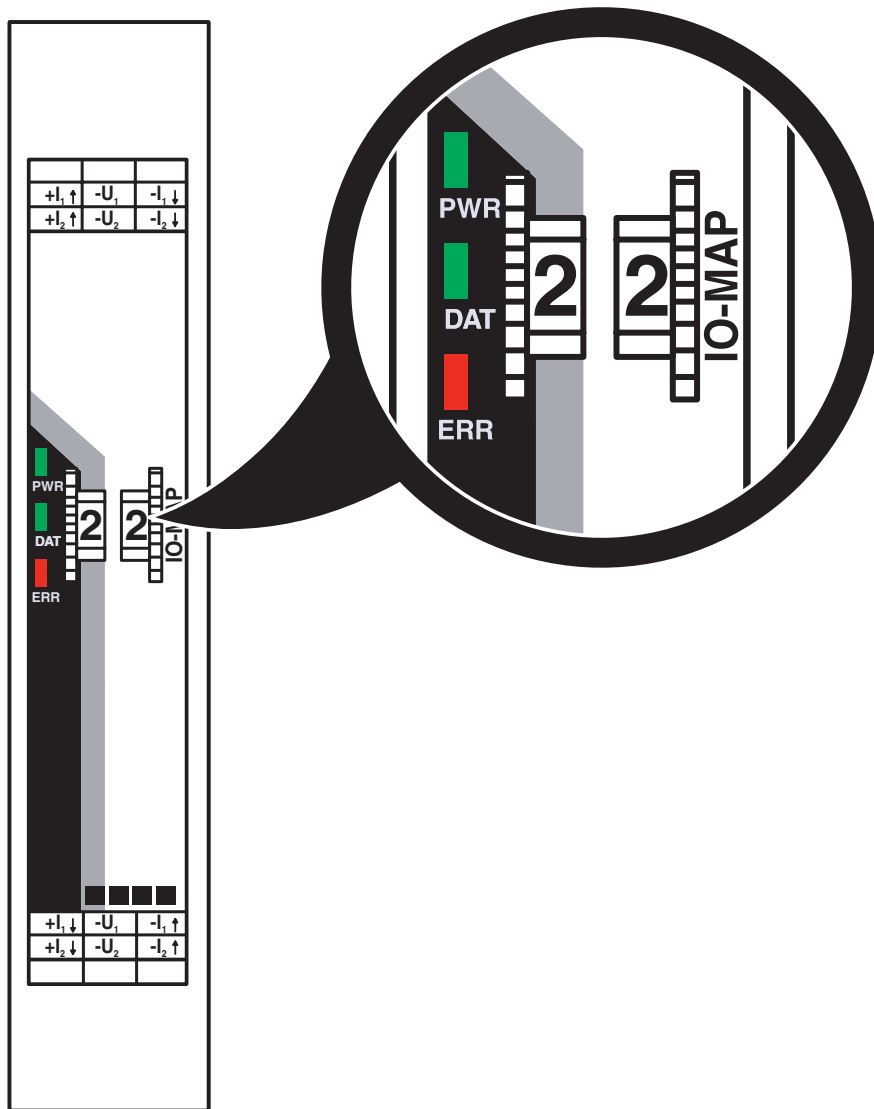
Function elements

RAD-PT100-4-IFS - I/O extension module

2904035

<https://www.phoenixcontact.com/us/products/2904035>

Schematic diagram



Thumbwheel

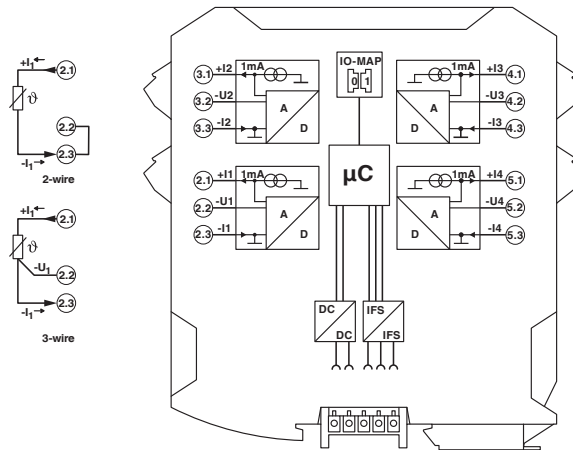
RAD-PT100-4-IFS - I/O extension module



2904035

<https://www.phoenixcontact.com/us/products/2904035>

Circuit diagram



Basic circuit diagram

RAD-PT100-4-IFS - I/O extension module




2904035


<https://www.phoenixcontact.com/us/products/2904035>

Approvals


To download certificates, visit the product detail page: <https://www.phoenixcontact.com/us/products/2904035>


 **UL Listed**
Approval ID: E238705


 **cUL Listed**
Approval ID: E238705


 **KC-s**
Approval ID: 20-KA4BO-0149X

 **cUL Listed**
Approval ID: E196811

 **UL Listed**
Approval ID: E196811

 **ATEX**
Approval ID: IBExU15ATEXB008 X

 **IECEX**
Approval ID: IECEX IBE 13.0019X

 **CCC**
Approval ID: 2022122310115625

RAD-PT100-4-IFS - I/O extension module



2904035

<https://www.phoenixcontact.com/us/products/2904035>

Classifications

ECLASS

ECLASS-13.0	27242601
ECLASS-15.0	27242601

ETIM

ETIM 10.0	EC001596
-----------	----------

UNSPSC

UNSPSC 21.0	32151602
-------------	----------

2904035

<https://www.phoenixcontact.com/us/products/2904035>

Environmental product compliance

EU RoHS

Fulfills EU RoHS substance requirements	Yes
Exemption	7(a), 7(c)-I

China RoHS

Environment friendly use period (EFUP)	EFUP-50
	An article-related China RoHS declaration table can be found in the download area for the respective article under "Manufacturer declaration". For all articles with EFUP-E, no China RoHS declaration table issued and required.

EU REACH SVHC

REACH candidate substance (CAS No.)	Lead(CAS: 7439-92-1)
SCIP	55eff893-f887-4cb7-8337-924c441d115d

Phoenix Contact 2026 © - all rights reserved

<https://www.phoenixcontact.com>

Phoenix Contact USA
586 Fulling Mill Road
Middletown, PA 17057, United States
(+717) 944-1300
info@phoenixcon.com