

VIP-3/PT/PDM-2/16 - Potential distributors



2903797

<https://www.phoenixcontact.com/us/products/2903797>

Please be informed that the data shown in this PDF document is generated from our online catalog. Please find the complete data in the user documentation. Our general terms of use for downloads are valid.



VARIOFACE module, with two equipotential busbars (P1, P2) for potential distribution, for mounting on NS 35 rails. Module width: 41.9 mm

Commercial data

Item number	2903797
Packing unit	1 pc
Minimum order quantity	1 pc
Sales key	C423
Product key	DK2124
GTIN	4046356796712
Weight per piece (including packing)	104.6 g
Weight per piece (excluding packing)	121.2 g
Customs tariff number	85369010
Country of origin	US

Technical data

Notes

Type of insulation housing	Polyamide PA non-reinforced
Notes on operation	For proper use, the specifications of the installation directive (see Downloads) must be observed. For applications or use with third-party products, the specifications, and the safety and warning instructions of the respective third-party manufacturer must also be met.

Product properties

Product type	Potential distributor
Product family	VARIOFACE Professional

Insulation characteristics

Overvoltage category	II
Pollution degree	2

Electrical properties

Operating voltage (AC/DC)	250 V AC/DC
Current (per branch)	≤ 15 A
Current (Total current)	≤ 30 A (per potential)

Connection data

Feed-in

Connection method	Push-in connection
Stripping length	15 mm
Number of connections	2
Conductor cross-section rigid	0.25 mm ² ... 6 mm ²
Conductor cross-section flexible	0.25 mm ² ... 4 mm ²
Conductor cross-section AWG	24 ... 10

Distribution

Connection method	Push-in connection
Stripping length	8 mm
Number of connections	8
Number of positions	2
Conductor cross-section rigid	0.14 mm ² ... 2.5 mm ²
Conductor cross-section flexible	0.14 mm ² ... 2.5 mm ²
Conductor cross-section AWG	26 ... 14

Dimensions

Item dimensions

Width	41.9 mm
Height	75.8 mm

VIP-3/PT/PDM-2/16 - Potential distributors



2903797

<https://www.phoenixcontact.com/us/products/2903797>

Depth	63 mm
-------	-------

Material specifications

Color	gray (RAL 7042)
-------	-----------------

Environmental and real-life conditions

Ambient conditions

Ambient temperature (operation)	-20 °C ... 50 °C (NOTE: At maximum relative humidity < 90%.)
Ambient temperature (storage/transport)	-20 °C ... 70 °C (NOTE: At maximum relative humidity < 90%.)
Altitude	< 2000 m
Permissible humidity (operation)	90 %
Permissible humidity (storage/transport)	90 %

Standards and regulations

Standards/regulations	EN IEC 61010-2-201
-----------------------	--------------------

Mounting

Mounting type	DIN rail mounting
Mounting position	any

VIP-3/PT/PDM-2/16 - Potential distributors

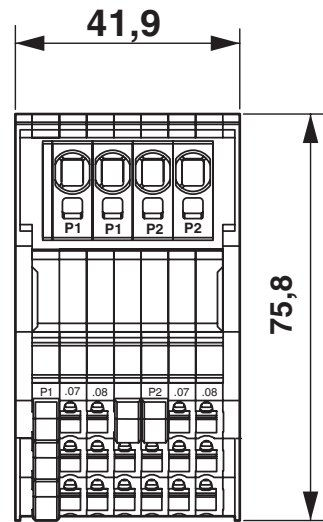
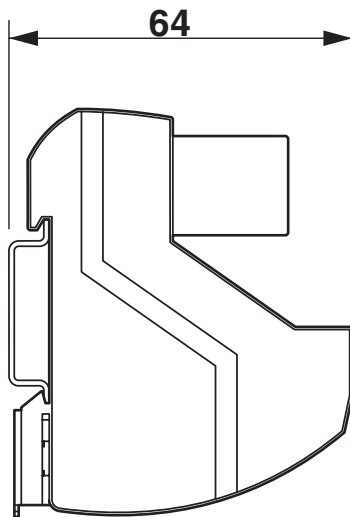


2903797

<https://www.phoenixcontact.com/us/products/2903797>

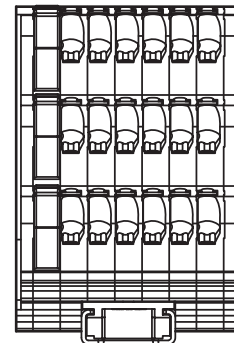
Drawings

Dimensional drawing



P2 .01 .02 .03 .04 .05 .06 ← MIDDLE ROW MARKING

P1 .01 .02 .03 .04 .05 .06 ← BOTTOM ROW MARKING



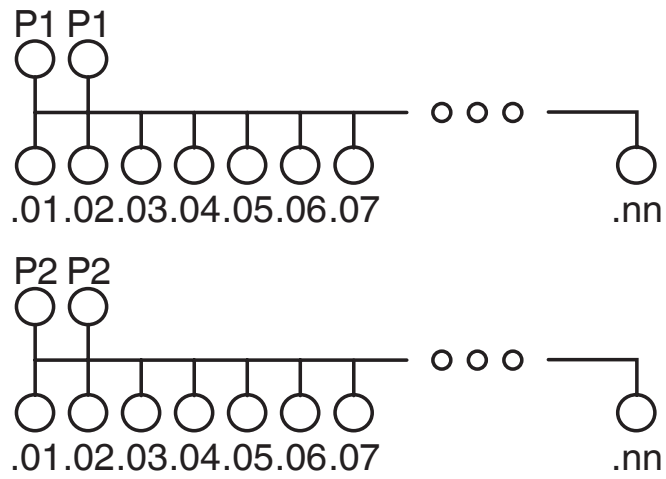
VIP-3/PT/PDM-2/16 - Potential distributors

2903797

<https://www.phoenixcontact.com/us/products/2903797>



Circuit diagram



VIP-3/PT/PDM-2/16 - Potential distributors



2903797

<https://www.phoenixcontact.com/us/products/2903797>

Approvals

To download certificates, visit the product detail page: <https://www.phoenixcontact.com/us/products/2903797>



CSA

Approval ID: 2122203



cUL Recognized

Approval ID: E238705

	Nominal voltage U_N	Nominal current I_N	Cross section AWG	Cross section mm^2
keine				
Output	250 V	15 A	26 - 14	-
Input	250 V	15 A	24 - 8	-



UL Recognized

Approval ID: E238705

	Nominal voltage U_N	Nominal current I_N	Cross section AWG	Cross section mm^2
keine				
Output	250 V	15 A	26 - 14	-
Input	250 V	15 A	24 - 8	-

VIP-3/PT/PDM-2/16 - Potential distributors



2903797

<https://www.phoenixcontact.com/us/products/2903797>

Classifications

ECLASS

ECLASS-13.0	27400609
ECLASS-15.0	27400609

ETIM

ETIM 10.0	EC001894
-----------	----------

UNSPSC

UNSPSC 21.0	39121400
-------------	----------

VIP-3/PT/PDM-2/16 - Potential distributors



2903797

<https://www.phoenixcontact.com/us/products/2903797>

Environmental product compliance

EU RoHS

Fulfills EU RoHS substance requirements	Yes, No exemptions
---	--------------------

China RoHS

Environment friendly use period (EFUP)	EFUP-E
	No hazardous substances above the limits

EU REACH SVHC

REACH candidate substance (CAS No.)	No substance above 0.1 wt%
-------------------------------------	----------------------------

Phoenix Contact 2026 © - all rights reserved
<https://www.phoenixcontact.com>

Phoenix Contact USA
586 Fulling Mill Road
Middletown, PA 17057, United States
(+717) 944-1300
info@phoenixcon.com