

# REL-PR2-230AC/2X21 - Single relay



2903701

<https://www.phoenixcontact.com/us/products/2903701>

Please be informed that the data shown in this PDF document is generated from our online catalog. Please find the complete data in the user documentation. Our general terms of use for downloads are valid.

Plug-in high-power relay with power contacts, 2 changeover contacts, coil voltage: 230 V AC



## Commercial data

Item number	2903701
Packing unit	1 pc
Note	Made to order (non-returnable)
Sales key	C460
Product key	DK6193
GTIN	4046356759137
Weight per piece (including packing)	81.6 g
Weight per piece (excluding packing)	81.6 g
Customs tariff number	85364900
Country of origin	PL

# REL-PR2-230AC/2X21 - Single relay



2903701

<https://www.phoenixcontact.com/us/products/2903701>

## Technical data

### Product properties

Product type	Single relay
Set comprises	2903279 RIF-4-RPT-LV-230AC/2X21
	2903289 RIF-4-RSC-LV-230AC/2X21
Operating mode	100% operating factor
Mechanical service life	approx. $10^7$ cycles

### Insulation characteristics

Insulation	Basic insulation
Overvoltage category	III
Pollution degree	3

### Data management status

Date of last data management	05.09.2025
------------------------------	------------

### Electrical properties

Service life electrical	see diagram
Maximum power dissipation for nominal condition	2.76 W
Test voltage (Winding/contact)	2.5 kV <sub>rms</sub> (50 Hz, 1 min., winding/contact)
Test voltage (Contact/contact)	2.5 kV <sub>rms</sub> (50 Hz, 1 min., contact/contact)
Test voltage (Changeover contact/changeover contact)	2.5 kV <sub>rms</sub> (50 Hz, 1 min., changeover contact/changeover contact)
Rated insulation voltage	250 V AC
Rated surge voltage	4 kV

### Input data

#### Coil side

Nominal input voltage $U_N$	230 V AC
Input voltage range	195.5 V AC ... 253 V AC (20 °C)
Mains frequency	50/60 Hz
Drive and function	monostable
Typical input current at $U_N$	12 mA
Typical response time	5 ms ... 25 ms (depending on phase relation)
Typical release time range	5 ms ... 20 ms (depending on phase relation)

### Output data

#### Switching

Contact switching type	2 changeover contacts
Type of switch contact	Single contact
Contact material	AgNi
Maximum switching voltage	440 V AC
	250 V DC

# REL-PR2-230AC/2X21 - Single relay



2903701

<https://www.phoenixcontact.com/us/products/2903701>

Minimum switching voltage	10 V (At 24 mA)
Limiting continuous current	16 A
Maximum inrush current	50 A (20 ms, N/O contacts)
Min. switching current	10 mA (at 24 V)
Interrupting rating (ohmic load) max.	384 W (at 24 V DC) 124 W (at 48 V DC) 108 W (at 60 V DC) 52 W (at 110 V DC) 70 W (at 220 V DC) 4000 VA (for 250 V AC) 4000 VA (at 440 V AC)
Switching capacity	2 A (at 24 V, DC13) 0.22 A (at 120 V, DC13) 0.11 A (at 250 V, DC13) 3 A (at 120 V, AC15) 1.5 A (at 240 V, AC15)
Single-phase motor load	800 W (at 230 V, AC3)
Motor load according to UL 508	1/3 HP, 120 V AC (N/O contact) 1/2 HP, 240 V AC (N/O contact)

## Connection data

Connection method	Plug-in connection
-------------------	--------------------

## Dimensions

Width	38.6 mm
Height	36.1 mm
Depth	45.5 mm

## Environmental and real-life conditions

### Ambient conditions

Degree of protection	RT I
Ambient temperature (operation)	-40 °C ... 55 °C
Ambient temperature (storage/transport)	-40 °C ... 85 °C

## Approvals

### Corrosive gas test

Identification	ISA-S71.04. G3 Harsh Group EN 60068-2-60
----------------	---

## Standards and regulations

Standards/regulations	IEC 60664 IEC 61810
-----------------------	------------------------

## Mounting

# REL-PR2-230AC/2X21 - Single relay



2903701

<https://www.phoenixcontact.com/us/products/2903701>

Mounting position	any
-------------------	-----



Diagram



- ① AC, ohmic load
- ② DC, ohmic load

Interrupting rating

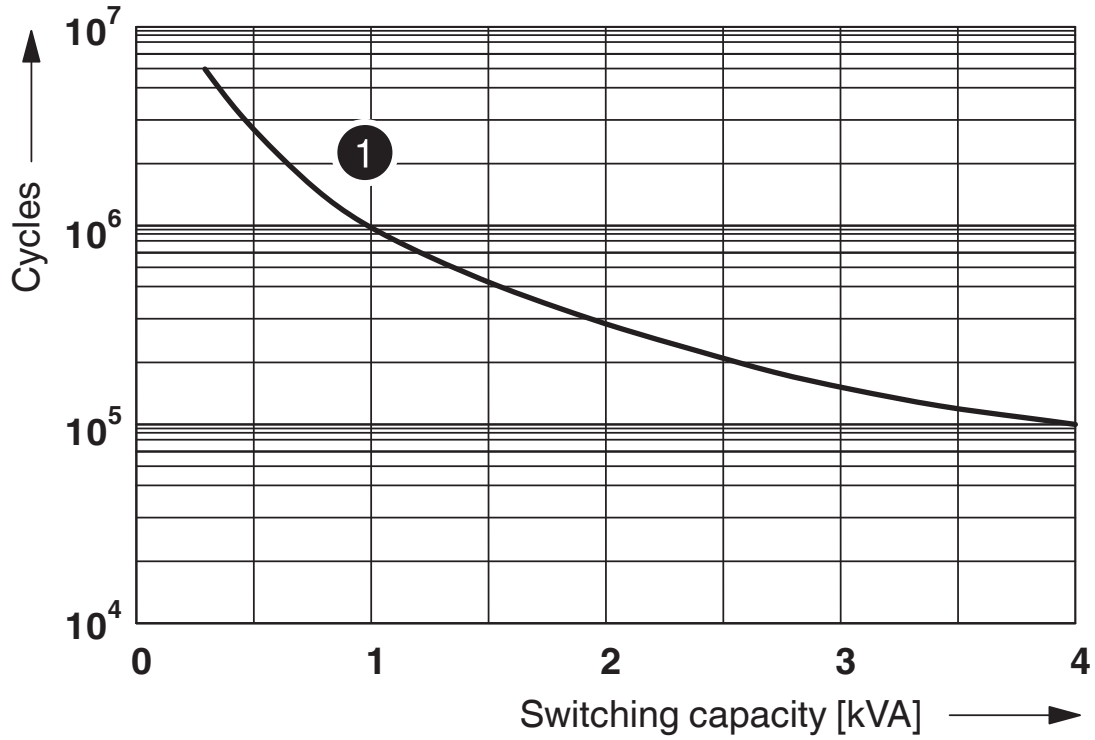
# REL-PR2-230AC/2X21 - Single relay



2903701

<https://www.phoenixcontact.com/us/products/2903701>

Diagram



① 250 V AC, Ohmic load

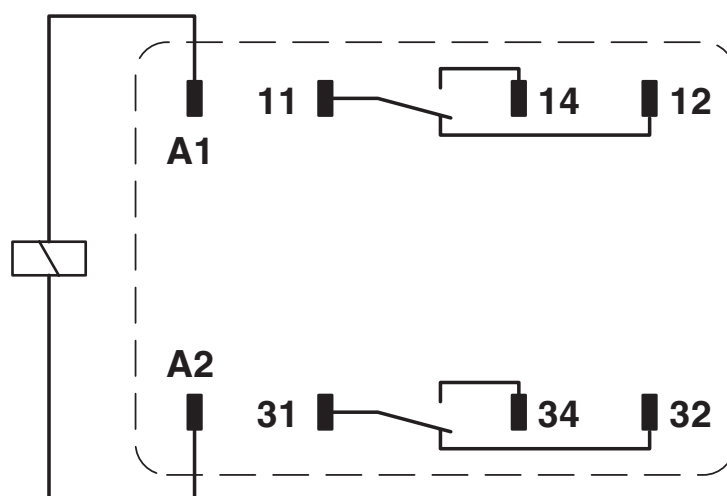
Electrical service life

Diagram



Service life reduction factor

Circuit diagram



# REL-PR2-230AC/2X21 - Single relay



2903701

<https://www.phoenixcontact.com/us/products/2903701>

## Classifications

### UNSPSC

UNSPSC 21.0	39122300
-------------	----------

# REL-PR2-230AC/2X21 - Single relay



2903701

<https://www.phoenixcontact.com/us/products/2903701>

## Environmental product compliance

### EU RoHS

Fulfills EU RoHS substance requirements	Yes, No exemptions
---	--------------------

### China RoHS

Environment friendly use period (EFUP)	EFUP-E
	No hazardous substances above the limits

### EU REACH SVHC

REACH candidate substance (CAS No.)	No substance above 0.1 wt%
-------------------------------------	----------------------------

Phoenix Contact 2026 © - all rights reserved  
<https://www.phoenixcontact.com>

Phoenix Contact USA  
586 Fulling Mill Road  
Middletown, PA 17057, United States  
(+717) 944-1300  
[info@phoenixcon.com](mailto:info@phoenixcon.com)