

REL-OR2/L-120AC/2X21 - Single relay



2903691

<https://www.phoenixcontact.com/us/products/2903691>

Please be informed that the data shown in this PDF document is generated from our online catalog. Please find the complete data in the user documentation. Our general terms of use for downloads are valid.



Plug-in octal relays with power contacts, 2 changeover contacts, test button, mechanical switching position indicator, coil voltage: 120 V AC

Commercial data

| | |
|--------------------------------------|--------------------------------|
| Item number | 2903691 |
| Packing unit | 1 pc |
| Note | Made to order (non-returnable) |
| Sales key | C460 |
| Product key | DK6193 |
| GTIN | 4046356759045 |
| Weight per piece (including packing) | 85.58 g |
| Weight per piece (excluding packing) | 85.58 g |
| Customs tariff number | 85364900 |
| Country of origin | PL |

REL-OR2/L-120AC/2X21 - Single relay



2903691

<https://www.phoenixcontact.com/us/products/2903691>

Technical data

Product properties

| | |
|-------------------------|--|
| Product type | Single relay |
| Set comprises | 2903296 RIF-3-RPT-LV-120AC/2X21 2903302 RIF-3-RSC-LV-120AC/2X21 |
| Operating mode | 100% operating factor |
| Mechanical service life | approx. 2×10^7 cycles |

Insulation characteristics

| | |
|----------------------|------------------|
| Insulation | Basic insulation |
| Overvoltage category | III |
| Pollution degree | 3 |

Data management status

| | |
|------------------------------|------------|
| Date of last data management | 05.09.2025 |
|------------------------------|------------|

Electrical properties

| | |
|--|--|
| Maximum power dissipation for nominal condition | 2.76 W |
| Test voltage (Winding/contact) | 2.5 kV _{rms} (50 Hz, 1 min., winding/contact) |
| Test voltage (Contact/contact) | 2 kV _{rms} (50 Hz, 1 min., contact/contact) |
| Test voltage (Changeover contact/changeover contact) | 2 kV _{rms} (50 Hz, 1 min., changeover contact/changeover contact) |
| Rated insulation voltage | 250 V AC |
| Rated surge voltage | 4 kV |

Input data

Coil side

| | |
|--------------------------------|--|
| Nominal input voltage U_N | 120 V AC |
| Input voltage range | 102 V AC ... 132 V AC (20 °C) |
| Mains frequency | 50/60 Hz |
| Drive and function | monostable |
| Typical input current at U_N | 23 mA |
| Typical response time | 5 ms ... 15 ms (depending on phase relation) |
| Typical release time range | 5 ms ... 20 ms (depending on phase relation) |
| Status display | LED (yellow) |

Output data

Switching

| | |
|---------------------------|-----------------------|
| Contact switching type | 2 changeover contacts |
| Type of switch contact | Single contact |
| Contact material | AgNi |
| Maximum switching voltage | 250 V AC/DC |
| Minimum switching voltage | 10 V (At 24 mA) |

REL-OR2/L-120AC/2X21 - Single relay



2903691

<https://www.phoenixcontact.com/us/products/2903691>

| | |
|---------------------------------------|--------------------------------|
| Limiting continuous current | 10 A |
| Maximum inrush current | 30 A (20 ms, N/O contacts) |
| Min. switching current | 10 mA (at 24 V) |
| Interrupting rating (ohmic load) max. | 240 W (at 24 V DC) |
| | 124 W (at 48 V DC) |
| | 108 W (at 60 V DC) |
| | 52 W (at 110 V DC) |
| | 48 W (at 220 V DC) |
| | 2500 VA (for 250 V AC) |
| Switching power min. | 0.24 W |
| Switching capacity | 2 A (at 24 V, DC13) |
| | 0.22 A (at 120 V, DC13) |
| | 0.11 A (at 250 V, DC13) |
| | 3 A (at 24 V, AC15) |
| | 3 A (at 120 V, AC15) |
| | 1.5 A (at 240 V, AC15) |
| Motor load according to UL 508 | 1/2 HP, 240 V AC (N/O contact) |

Connection data

| | |
|-------------------|--------------------|
| Connection method | Plug-in connection |
|-------------------|--------------------|

Dimensions

| | |
|--------|---------|
| Width | 35 mm |
| Height | 35 mm |
| Depth | 54.4 mm |

Environmental and real-life conditions

Ambient conditions

| | |
|---|------------------|
| Degree of protection | RT I |
| Ambient temperature (operation) | -40 °C ... 55 °C |
| Ambient temperature (storage/transport) | -40 °C ... 85 °C |

Approvals

Corrosive gas test

| | |
|----------------|----------------------------|
| Identification | ISA-S71.04. G3 Harsh Group |
| | EN 60068-2-60 |

Standards and regulations

| | |
|-----------------------|-----------|
| Standards/regulations | IEC 60664 |
| | IEC 61810 |

Mounting

| | |
|-------------------|-----|
| Mounting position | any |
|-------------------|-----|

Drawings

Diagram



- ① DC coils
- ② AC coils

Operating voltage range

Diagram



- ① AC, ohmic load
- ② DC, ohmic load

Interrupting rating

REL-OR2/L-120AC/2X21 - Single relay



2903691

<https://www.phoenixcontact.com/us/products/2903691>

Diagram



250 V AC, ohmic load

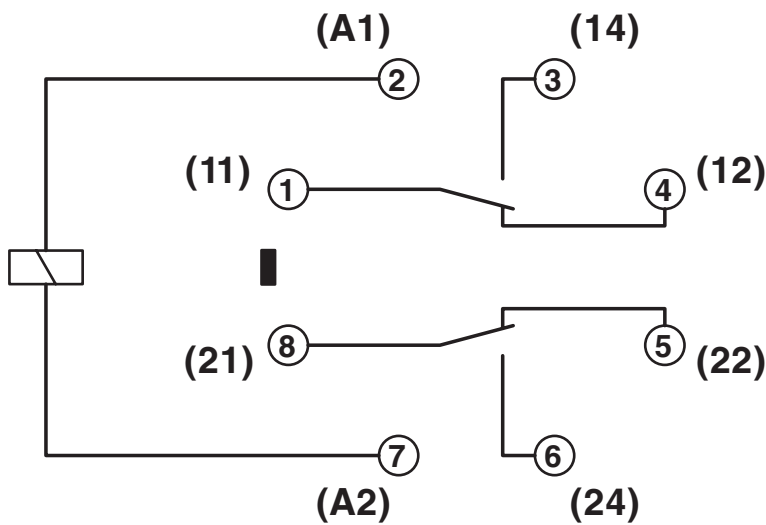
Electrical service life

Diagram



Service life reduction factor

Circuit diagram



REL-OR2/L-120AC/2X21 - Single relay



2903691

<https://www.phoenixcontact.com/us/products/2903691>

Classifications

UNSPSC

| | |
|-------------|----------|
| UNSPSC 21.0 | 39122300 |
|-------------|----------|

REL-OR2/L-120AC/2X21 - Single relay



2903691

<https://www.phoenixcontact.com/us/products/2903691>

Environmental product compliance

EU RoHS

| | |
|---|--------------------|
| Fulfills EU RoHS substance requirements | Yes, No exemptions |
|---|--------------------|

China RoHS

| | |
|--|--|
| Environment friendly use period (EFUP) | EFUP-E |
| | No hazardous substances above the limits |

EU REACH SVHC

| | |
|-------------------------------------|----------------------------|
| REACH candidate substance (CAS No.) | No substance above 0.1 wt% |
|-------------------------------------|----------------------------|

Phoenix Contact 2026 © - all rights reserved
<https://www.phoenixcontact.com>

Phoenix Contact USA
586 Fulling Mill Road
Middletown, PA 17057, United States
(+717) 944-1300
info@phoenixcon.com