

# REL-OR2/L- 24AC/2X21 - Single relay



2903690

<https://www.phoenixcontact.com/us/products/2903690>

Please be informed that the data shown in this PDF document is generated from our online catalog. Please find the complete data in the user documentation. Our general terms of use for downloads are valid.



Plug-in octal relays with power contacts, 2 changeover contacts, test button, mechanical switching position indicator, coil voltage: 24 V AC

## Commercial data

|                                      |               |
|--------------------------------------|---------------|
| Item number                          | 2903690       |
| Packing unit                         | 1 pc          |
| Sales key                            | C460          |
| Product key                          | DK6193        |
| GTIN                                 | 4046356759038 |
| Weight per piece (including packing) | 86.22 g       |
| Weight per piece (excluding packing) | 86.22 g       |
| Customs tariff number                | 85364190      |
| Country of origin                    | PL            |

# REL-OR2/L- 24AC/2X21 - Single relay



2903690

<https://www.phoenixcontact.com/us/products/2903690>

## Technical data

### Product properties

|                         |                                |
|-------------------------|--------------------------------|
| Product type            | Single relay                   |
| Operating mode          | 100% operating factor          |
| Mechanical service life | approx. $2 \times 10^7$ cycles |

### Insulation characteristics

|                      |                  |
|----------------------|------------------|
| Insulation           | Basic insulation |
| Overvoltage category | III              |
| Pollution degree     | 3                |

### Data management status

|                              |            |
|------------------------------|------------|
| Date of last data management | 01.04.2026 |
|------------------------------|------------|

### Electrical properties

|  |  |
|--|--|
| Maximum power dissipation for nominal condition      | 2.59 W   |
| Test voltage (Winding/contact)                       | 2.5 kV <sub>rms</sub> (50 Hz, 1 min., winding/contact)                     |
| Test voltage (Contact/contact)                       | 2 kV <sub>rms</sub> (50 Hz, 1 min., contact/contact)                       |
| Test voltage (Changeover contact/changeover contact) | 2 kV <sub>rms</sub> (50 Hz, 1 min., changeover contact/changeover contact) |
| Rated insulation voltage                             | 250 V AC   |
| Rated surge voltage                                  | 4 kV   |

### Input data

#### Coil side

|                                |  |
|--------------------------------|--|
| Nominal input voltage $U_N$    | 24 V AC                                      |
| Input voltage range            | 20.4 V AC ... 26.4 V AC (20 °C)              |
| Mains frequency                | 50/60 Hz                                     |
| Drive and function             | monostable                                   |
| Typical input current at $U_N$ | 108 mA                                       |
| Typical response time          | 5 ms ... 15 ms (depending on phase relation) |
| Typical release time range     | 5 ms ... 20 ms (depending on phase relation) |
| Status display                 | LED (yellow)                                 |

### Output data

#### Switching

|                             |                            |
|-----------------------------|----------------------------|
| Contact switching type      | 2 changeover contacts      |
| Type of switch contact      | Single contact             |
| Contact material            | AgNi                       |
| Maximum switching voltage   | 250 V AC/DC                |
| Minimum switching voltage   | 10 V (At 24 mA)            |
| Limiting continuous current | 10 A                       |
| Maximum inrush current      | 30 A (20 ms, N/O contacts) |

# REL-OR2/L- 24AC/2X21 - Single relay



2903690

<https://www.phoenixcontact.com/us/products/2903690>

|                                       |                                |
|---------------------------------------|--------------------------------|
| Min. switching current                | 10 mA (at 24 V)                |
| Interrupting rating (ohmic load) max. | 240 W (at 24 V DC)             |
|                                       | 124 W (at 48 V DC)             |
|                                       | 108 W (at 60 V DC)             |
|                                       | 52 W (at 110 V DC)             |
|                                       | 48 W (at 220 V DC)             |
|                                       | 2500 VA (for 250 V AC)         |
| Switching power min.                  | 0.24 W                         |
| Switching capacity                    | 2 A (at 24 V, DC13)            |
|                                       | 0.22 A (at 120 V, DC13)        |
|                                       | 0.11 A (at 250 V, DC13)        |
|                                       | 3 A (at 24 V, AC15)            |
|                                       | 3 A (at 120 V, AC15)           |
|                                       | 1.5 A (at 240 V, AC15)         |
| Motor load according to UL 508        | 1/2 HP, 240 V AC (N/O contact) |

## Connection data

|                   |                    |
|-------------------|--------------------|
| Connection method | Plug-in connection |
|-------------------|--------------------|

## Dimensions

|        |         |
|--------|---------|
| Width  | 35 mm   |
| Height | 35 mm   |
| Depth  | 54.4 mm |

## Environmental and real-life conditions

### Ambient conditions

|   |                  |
|---|------------------|
| Degree of protection                    | RT I             |
| Ambient temperature (operation)         | -40 °C ... 55 °C |
| Ambient temperature (storage/transport) | -40 °C ... 85 °C |

## Approvals

### Corrosive gas test

|                |                            |
|----------------|----------------------------|
| Identification | ISA-S71.04. G3 Harsh Group |
|                | EN 60068-2-60              |

## Standards and regulations

|                       |           |
|-----------------------|-----------|
| Standards/regulations | IEC 60664 |
|                       | IEC 61810 |

## Mounting

|                   |     |
|-------------------|-----|
| Mounting position | any |
|-------------------|-----|

Drawings

Diagram



- ① DC coils
- ② AC coils

Operating voltage range

Diagram



- ① AC, ohmic load
- ② DC, ohmic load

Interrupting rating

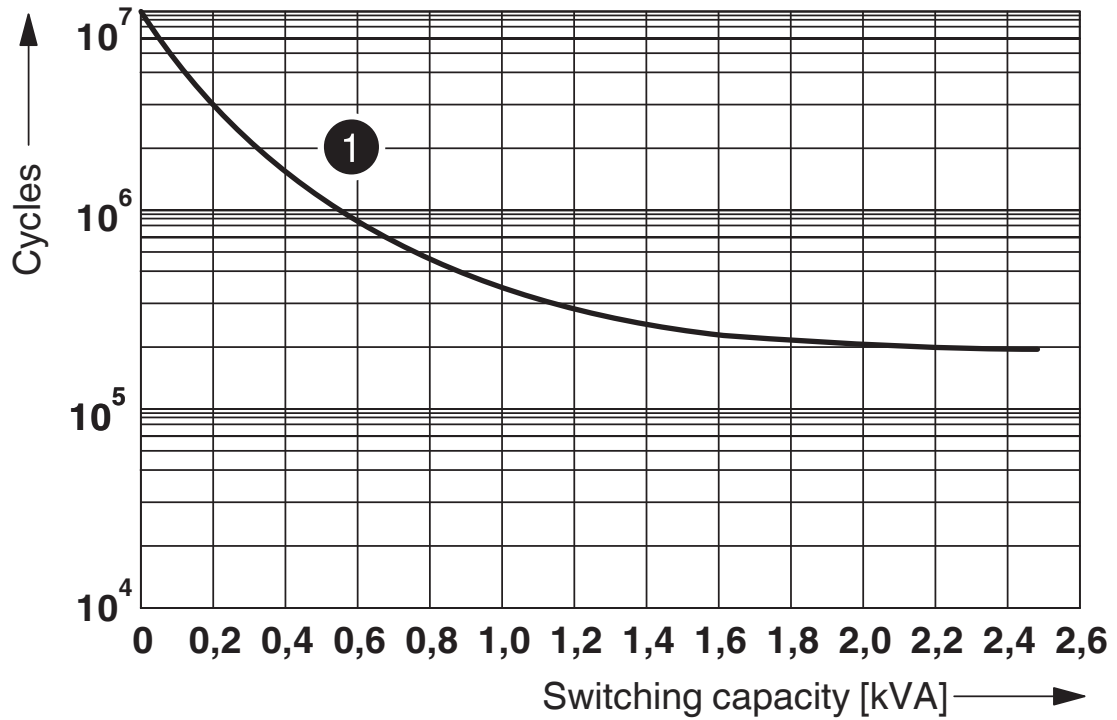
# REL-OR2/L- 24AC/2X21 - Single relay



2903690

<https://www.phoenixcontact.com/us/products/2903690>

Diagram



250 V AC, ohmic load

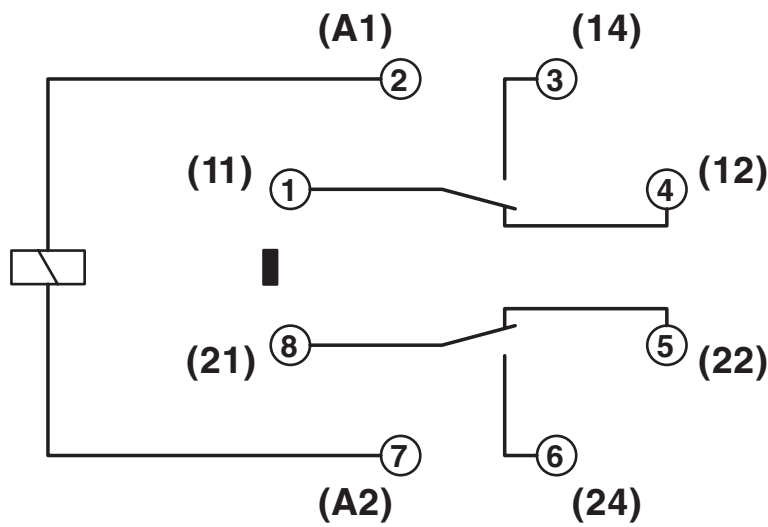
Electrical service life

Diagram



Service life reduction factor

Circuit diagram



# REL-OR2/L- 24AC/2X21 - Single relay



2903690

<https://www.phoenixcontact.com/us/products/2903690>

## Classifications

### UNSPSC

|             |          |
|-------------|----------|
| UNSPSC 21.0 | 39122300 |
|-------------|----------|

# REL-OR2/L- 24AC/2X21 - Single relay



2903690

<https://www.phoenixcontact.com/us/products/2903690>

## Environmental product compliance

### EU RoHS

|   |                    |
|---|--------------------|
| Fulfills EU RoHS substance requirements | Yes, No exemptions |
|---|--------------------|

### China RoHS

|  |  |
|--|--|
| Environment friendly use period (EFUP) | EFUP-E                                   |
|  | No hazardous substances above the limits |

### EU REACH SVHC

|                                     |                            |
|-------------------------------------|----------------------------|
| REACH candidate substance (CAS No.) | No substance above 0.1 wt% |
|-------------------------------------|----------------------------|

Phoenix Contact 2026 © - all rights reserved  
<https://www.phoenixcontact.com>

Phoenix Contact USA  
586 Fulling Mill Road  
Middletown, PA 17057, United States  
(+717) 944-1300  
[info@phoenixcon.com](mailto:info@phoenixcon.com)