

VIP-8RPT-24DC/21/D0/FU/PLC - Active module



2903601

<https://www.phoenixcontact.com/us/products/2903601>

Please be informed that the data shown in this PDF document is generated from our online catalog. Please find the complete data in the user documentation. Our general terms of use for downloads are valid.

VARIOFACE Professional output module with eight channels, each with a pluggable 1 PDT relay and fuse, for 24 V DC



Your advantages

- Slim overall width of just 87.6 mm
- LED status indicator per signal path and supply voltage
- Polarity protection diode
- Fuse per output circuit as short-circuit protection
- Plug-in miniature relays, each with a changeover contact

Commercial data

Item number	2903601
Packing unit	1 pc
Note	Made to order (non-returnable)
Sales key	C423
Product key	DK2141
GTIN	4046356948159
Weight per piece (including packing)	330.9 g
Weight per piece (excluding packing)	320 g
Customs tariff number	85369010
Country of origin	US

VIP-8RPT-24DC/21/D0/FU/PLC - Active module



2903601

<https://www.phoenixcontact.com/us/products/2903601>

Technical data

Product properties

Product type	Interface module
Product family	VARIOFACE Professional
No. of channels	8
Operating mode	100% operating factor
Mechanical service life	2x 10 ⁷ cycles

Electrical properties

Supported controller: SIEMENS S7-1500

Suitable I/O card	6ES7522-1BH00-0AB0
	6ES7522-1BH01-0AB0
	6ES7522-1BL00-0AB0
	6ES7522-1BL01-0AB0

Supported controller: ABB S800 I/O

Suitable I/O card	DO810
	DO840

Supported controller: ALLEN-BRADLEY ControlLogix

Suitable I/O card	1756-OB32
	1756-OB16E

Supported controller: ALLEN-BRADLEY PLC 5

Suitable I/O card	1771 OBN
-------------------	----------

Supported controller: ALLEN-BRADLEY SLC 500

Suitable I/O card	1746 OB 32
-------------------	------------

Supported controller: EMERSON DeltaV

Suitable I/O card	VE4002S1T1B3
	VE4002S1T2B3
	VE4002S1T2B3 Series 2
	VE4002S1T2B6

Supported controller: GE-FANUC RX3i

Suitable I/O card	IC694MDL754
-------------------	-------------

Supported controller: HONEYWELL Experion PKS C200

Suitable I/O card	TC-ODD 321
-------------------	------------

Supported controller: MITSUBISHI MELSEC L

Suitable I/O card	LY41PT1P
	LY42PT1P

Supported controller: MITSUBISHI MELSEC Q

VIP-8RPT-24DC/21/D0/FU/PLC - Active module



2903601

<https://www.phoenixcontact.com/us/products/2903601>

Suitable I/O card	QY81P
	QY82P

Supported controller: SIEMENS S7-300 / ET 200 M

Suitable I/O card	CPU 313C-2DP
	CPU 314C-2DP
	CPU 314C-2PtP
	6ES7322-1BH01-0AA0
	6ES7322-1BL00-0AA0
	6ES7323-1BH01-0AA0
	6ES7323-1BL00-0AA0
	CPU 313C
	CPU 313C-2PtP

Supported controller: SIEMENS S7-400

Suitable I/O card	6ES7422-1BL00-0AA0
	6ES7422-7BL00-0AB0

Input data

Nominal input voltage U_N	24 V DC
Input voltage range in reference to U_N	0.9 ... 1.1
Input voltage range	21.6 V DC ... 26.4 V DC
Typical input current at U_N	9 mA
Typical response time	5 ms
Typical release time	8 ms
Protective circuit	Freewheeling diode; Freewheeling diode
Operating voltage display	Green LED
Status display/channel	Yellow LED

Output data

Switching

Contact switching type	Single contact, 1 changeover contact
Contact material	AgSnO
Maximum switching voltage	250 V AC/DC
Minimum switching voltage	12 V AC/DC
Limiting continuous current	5 A (observe derating)
Min. switching current	10 mA
Interrupting rating (ohmic load) max.	120 W (24 V DC)
	20 W (48 V DC)
	18 W (60 V DC)
	23 W (110 V DC)
	40 W (220 V DC)
	1250 VA (250 V AC)
Error detection (line break / short-circuit)	no

2903601

<https://www.phoenixcontact.com/us/products/2903601>

Connection data

Controller level

Connection method	IDC/FLK pin strip
Number of connections	1
Number of positions	14
Pitch	2.54 mm

Field level

Connection method	Push-in connection
Stripping length	8 mm
Conductor cross-section rigid	0.14 mm ² ... 2.5 mm ²
Conductor cross-section flexible	0.14 mm ² ... 2.5 mm ²
Conductor cross-section AWG	26 ... 14

Signaling

Status display present	yes
------------------------	-----

Dimensions

Width	87.6 mm
Height	109.8 mm
Depth	63 mm

Material specifications

Color	gray (RAL 7042)
-------	-----------------

Environmental and real-life conditions

Ambient conditions

Ambient temperature (operation)	-20 °C ... 60 °C
Ambient temperature (storage/transport)	-20 °C ... 70 °C

Standards and regulations

Standards/regulations	DIN EN 50178
-----------------------	--------------

Mounting

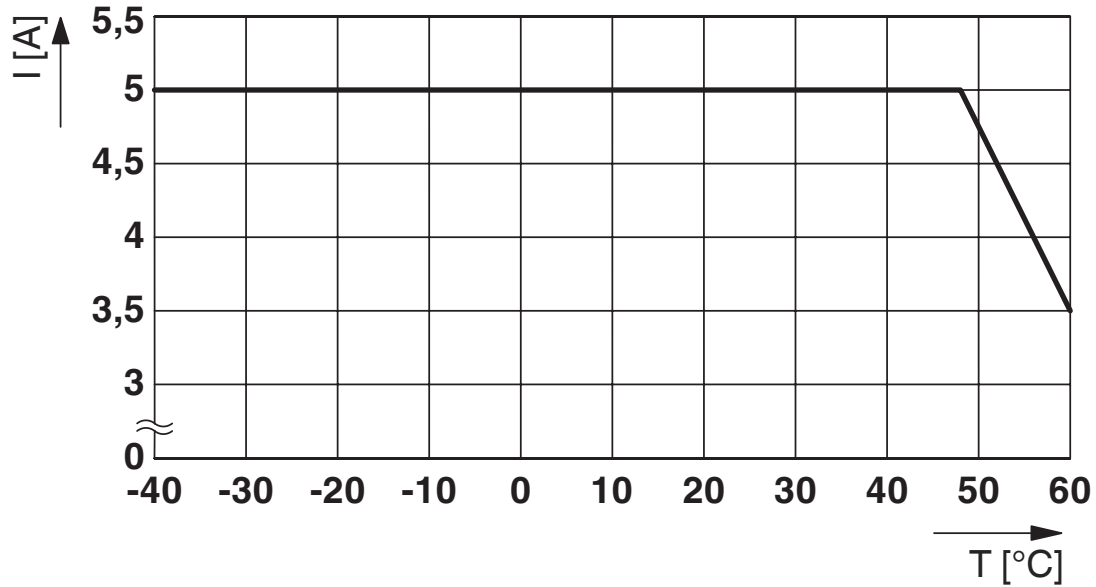
Mounting type	DIN rail mounting
Assembly note	in rows with zero spacing
Mounting position	any

Notes

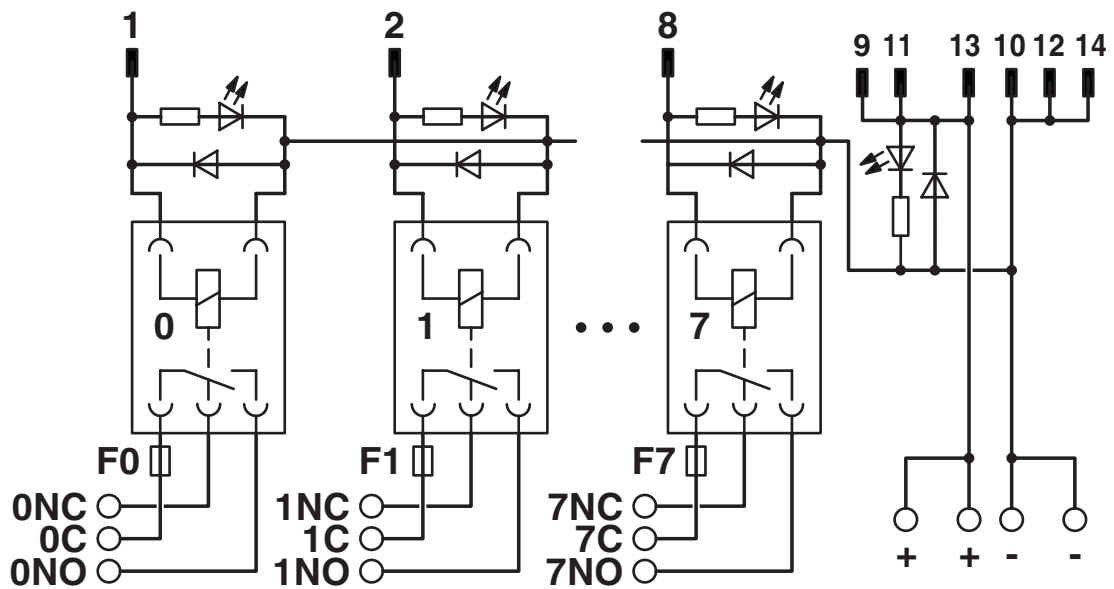
Notes on operation	For proper use, the specifications of the installation directive (see Downloads) must be observed. For applications or use with third-party products, the specifications, and the safety and warning instructions of the respective third-party manufacturer must also be met.
--------------------	--

Drawings

Diagram



Circuit diagram



VIP-8RPT-24DC/21/D0/FU/PLC - Active module



2903601

<https://www.phoenixcontact.com/us/products/2903601>

Classifications

UNSPSC

UNSPSC 21.0	39121432
-------------	----------

2903601

<https://www.phoenixcontact.com/us/products/2903601>

Environmental product compliance

China RoHS

Environment friendly use period (EFUP)	EFUP-50
	An article-related China RoHS declaration table can be found in the download area for the respective article under "Manufacturer declaration". For all articles with EFUP-E, no China RoHS declaration table issued and required.

EU REACH SVHC

REACH candidate substance (CAS No.)	No substance above 0.1 wt%
-------------------------------------	----------------------------

Phoenix Contact 2026 © - all rights reserved
<https://www.phoenixcontact.com>

Phoenix Contact USA
586 Fulling Mill Road
Middletown, PA 17057, United States
(+717) 944-1300
info@phoenixcon.com