

ST-OV3- 12DC/220DC/1 - Solid-state relay



2903309

<https://www.phoenixcontact.com/us/products/2903309>

Please be informed that the data shown in this PDF document is generated from our online catalog. Please find the complete data in the user documentation. Our general terms of use for downloads are valid.



Pluggable power optocoupler, with light indicator and protection circuits in the input and output circuits, input: 12 V DC, output: 15-220 V DC/max. 1 A, can be plugged on basic termination blocks

The figure shows version ST-OV
3- 5 DC/220 DC/1

Commercial data

Item number	2903309
Packing unit	1 pc
Note	Made to order (non-returnable)
Sales key	C460
Product key	DK61B2
GTIN	4017918079031
Weight per piece (including packing)	56.95 g
Weight per piece (excluding packing)	56.95 g
Customs tariff number	85364190
Country of origin	DE

ST-OV3- 12DC/220DC/1 - Solid-state relay



2903309

<https://www.phoenixcontact.com/us/products/2903309>

Technical data

Product properties

Product type	Solid-state relay module
Data management status	
Date of last data management	01.04.2026

Electrical properties

Test voltage (Input/output)	2.5 kV AC (Input/output)
-----------------------------	--------------------------

Input data

Nominal input voltage U_N	12 V DC
Input voltage range in reference to U_N	0.8 ... 1.2
Input voltage range	9.6 V DC ... 14.4 V DC
Switching threshold "0" signal, voltage	≤ 3.2 V
Switching threshold "1" signal voltage	≥ 5.3 V
Typical input current at U_N	6 mA
Typical response time	25 μ s
Typical turn-off time	1 ms
Transmission frequency	100 Hz

Output data

Design of digital output	electronic
Output voltage range	15 V DC ... 220 V DC
Limiting continuous current	1 A
Surge current	2 A (t = 1 s)
Peak offstate voltage	220 V DC (Collector-emitter reverse voltage)
Voltage drop at max. limiting continuous current	1.2 V
Output circuit	2-conductor, floating
Protective circuit	Reverse polarity protection; Polarity protection diode Surge protection

Dimensions

Width	20.8 mm
Height	33 mm
Depth	66.5 mm

Material specifications

Color	green (RAL 6021)
-------	------------------

Environmental and real-life conditions

Ambient conditions

Ambient temperature (operation)	-20 °C ... 60 °C
---------------------------------	------------------

ST-OV3- 12DC/220DC/1 - Solid-state relay



2903309

<https://www.phoenixcontact.com/us/products/2903309>

Standards and regulations

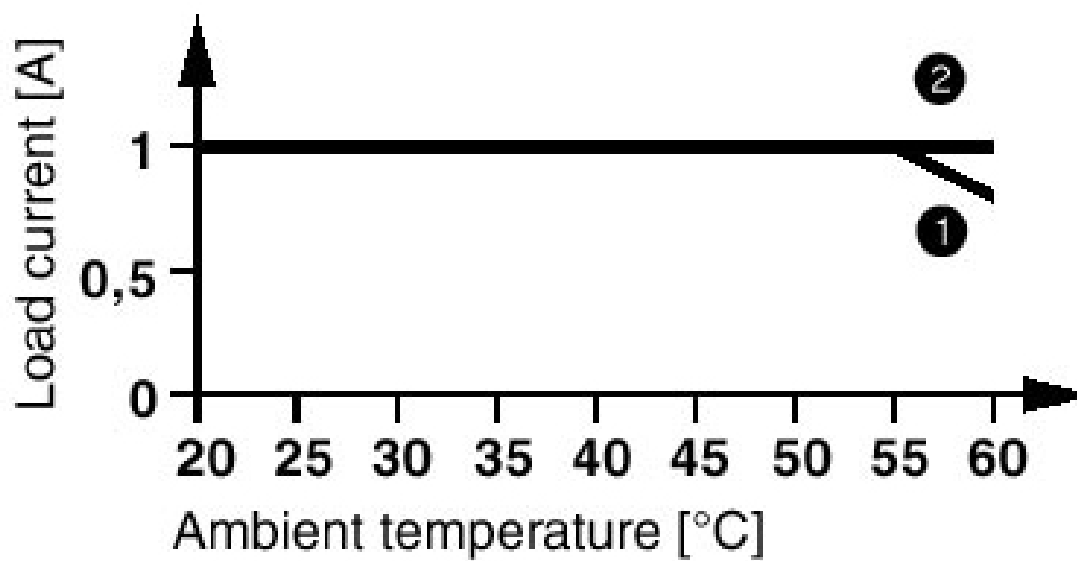
Standards/regulations	DIN VDE 0110
-----------------------	--------------

Mounting

Mounting position	any
-------------------	-----

Drawings

Diagram



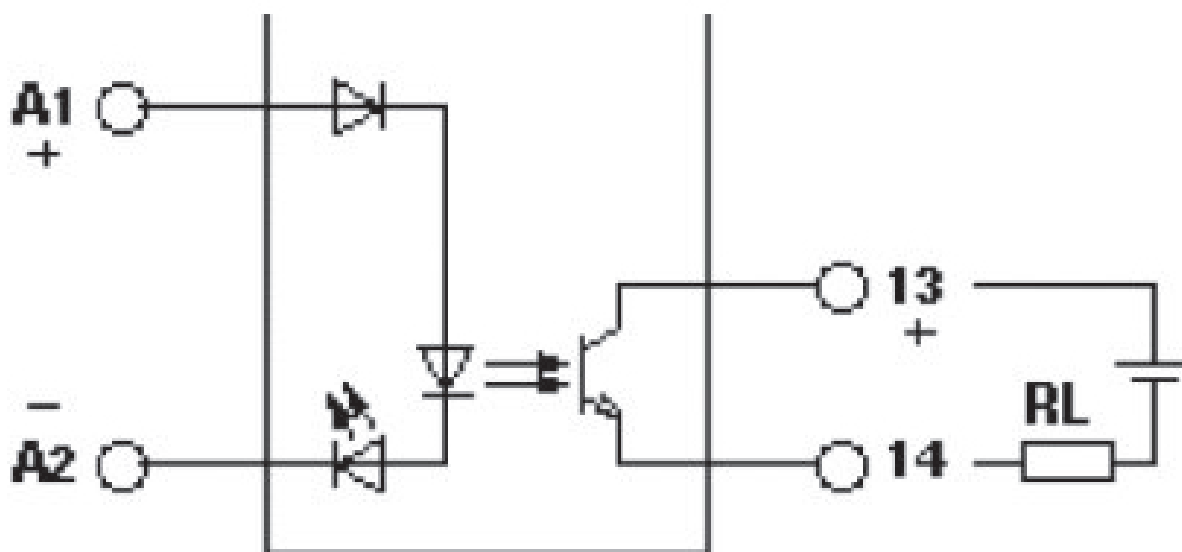
- ① mounted in rows with zero spacing.
- ② power optocouplers mounted in rows, ≥ 20 mm.

ST-OV3- 12DC/220DC/1 - Solid-state relay

2903309

<https://www.phoenixcontact.com/us/products/2903309>

Circuit diagram



ST-OV3- 12DC/220DC/1 - Solid-state relay



2903309

<https://www.phoenixcontact.com/us/products/2903309>

Environmental product compliance

EU REACH SVHC

REACH candidate substance (CAS No.)	No substance above 0.1 wt%
-------------------------------------	----------------------------

Phoenix Contact 2026 © - all rights reserved

<https://www.phoenixcontact.com>

Phoenix Contact USA
586 Fulling Mill Road
Middletown, PA 17057, United States
(+717) 944-1300
info@phoenixcon.com