

# SUBCON-PLUS-ARCNET/AX/SC038 - D-SUB bus connector



2903271

<https://www.phoenixcontact.com/us/products/2903271>

Please be informed that the data shown in this PDF document is generated from our online catalog. Please find the complete data in the user documentation. Our general terms of use for downloads are valid.



D-SUB plug, 9-pos., pin, axial version with two cable entries, bus system: ARCnet, termination resistor can be switched on via slide switch, pin assignment: 3, 8; screw connection terminal blocks

## Commercial data

Item number	2903271
Packing unit	1 pc
Minimum order quantity	50 pc
Product key	DNC5Z1
GTIN	4046356731218
Weight per piece (including packing)	37.41 g
Weight per piece (excluding packing)	37.366 g
Country of origin	DE

# SUBCON-PLUS-ARCNET/AX/SC038 - D-SUB bus connector



2903271

<https://www.phoenixcontact.com/us/products/2903271>

## Technical data

### Notes

Note on application

Note on application	Only for industrial use
---------------------	-------------------------

### Product properties

Product type	Data plug
--------------	-----------

### Electrical properties

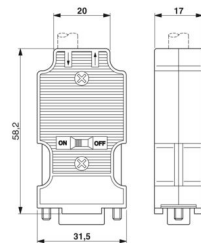
Nominal voltage $U_N$	50 V
Nominal current $I_N$	100 mA

### Connection data

D-SUB connection

Connection method	D-SUB socket
Connection method	Screw connection
Conductor cross-section, rigid min.	0.14 mm <sup>2</sup>
Conductor cross-section, rigid max.	1.5 mm <sup>2</sup>
Conductor cross-section flexible min.	0.14 mm <sup>2</sup>
Conductor cross-section flexible max.	1 mm <sup>2</sup>
Single-wire/terminal point, rigid AWG min.	26
Single-wire/terminal point, rigid AWG max.	16
Min. AWG conductor cross-section, flexible	26
Max. AWG conductor cross-section, flexible	18

### Dimensions

Dimensional drawing	
Width	17 mm
Height	31.5 mm
Length	58.2 mm

### Cable/line

External cable diameter	7.6 mm ... 8.4 mm (Incoming bus line)
-------------------------	---------------------------------------

### Mechanical properties

# SUBCON-PLUS-ARCNET/AX/SC038 - D-SUB bus connector



2903271

<https://www.phoenixcontact.com/us/products/2903271>

## Mechanical data

Insertion/withdrawal cycles	> 200
Fixing screws	4-40 UNC
Tightening torque	0.4 Nm

## Mechanical tests

Vibration resistance in accordance with EN 60068-2-6/IEC 60068-2-6	: 5g, 10...150 Hz, 2.5 h, in XYZ direction
Shock in accordance with EN 60068-2-27/IEC 60068-2-27	: 15g, 11 ms period, half-sine shock pulse

## Environmental and real-life conditions

### Ambient conditions

Degree of protection	IP40
Ambient temperature (operation)	-20 °C ... 75 °C
Ambient temperature (storage/transport)	-25 °C ... 80 °C
Altitude	≤ 5000 m (For restrictions, see the manufacturer's declaration for altitude operation)
Permissible humidity (operation)	10 % ... 95 % (non-condensing)
Permissible humidity (storage/transport)	5 % ... 95 % (non-condensing)

## Approvals

### Corrosive gas test

Identification	ISA-S71.04-1985 G3 Harsh Group A
----------------	----------------------------------

## Standards and regulations

Free from substances that could impair the application of coating	VDMA 24364:2018-05
---	--------------------

# SUBCON-PLUS-ARCNET/AX/SC038 - D-SUB bus connector

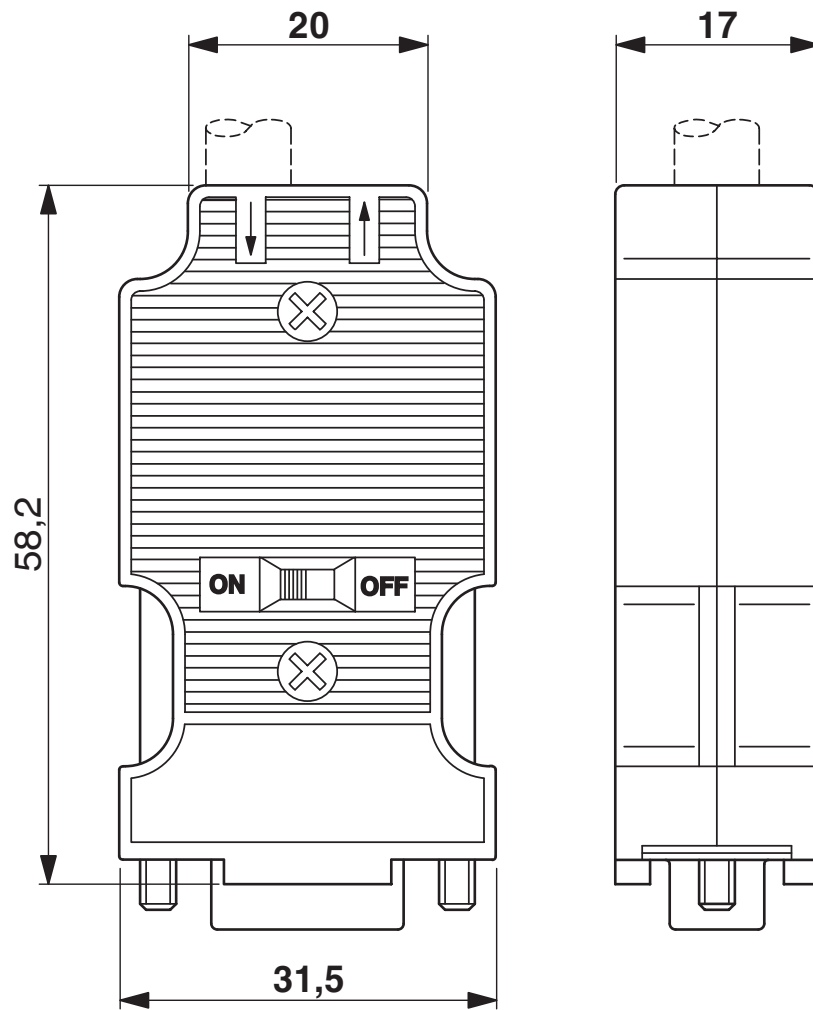


2903271

<https://www.phoenixcontact.com/us/products/2903271>

## Drawings

Dimensional drawing



Dimensional drawing

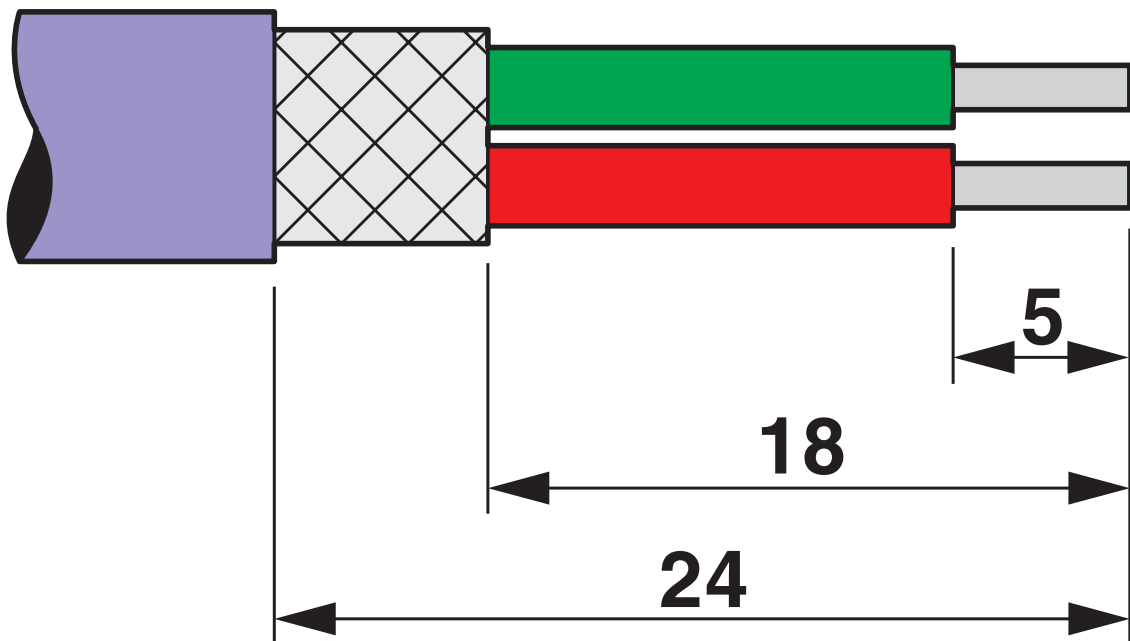
# SUBCON-PLUS-ARCNET/AX/SC038 - D-SUB bus connector



2903271

<https://www.phoenixcontact.com/us/products/2903271>

Schematic diagram



Stripping specifications

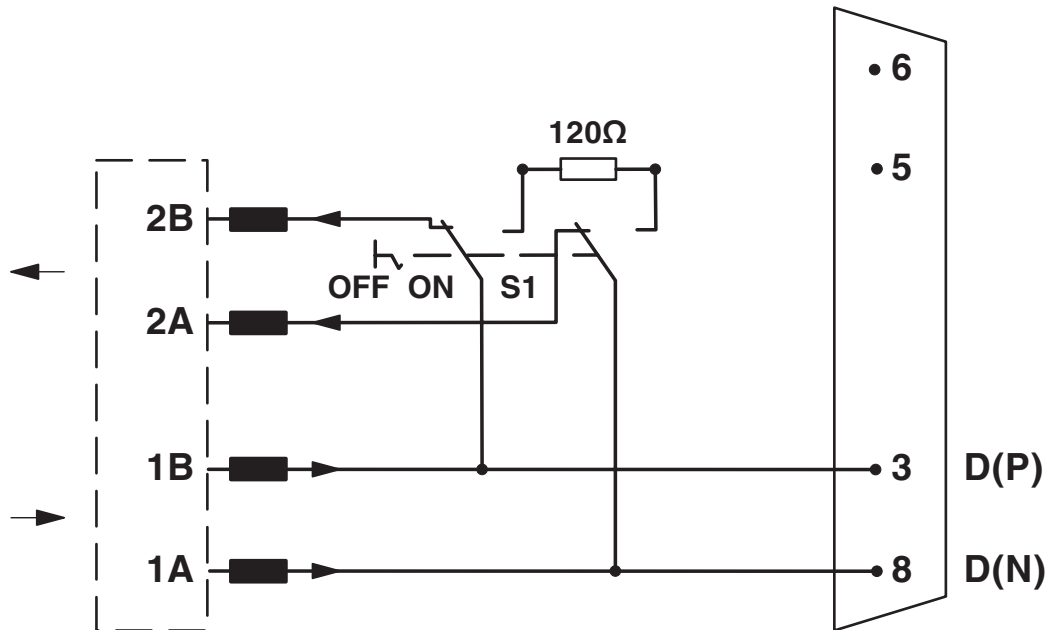
# SUBCON-PLUS-ARCNET/AX/SC038 - D-SUB bus connector



2903271

<https://www.phoenixcontact.com/us/products/2903271>

Circuit diagram



Circuit diagram

# SUBCON-PLUS-ARCNET/AX/SC038 - D-SUB bus connector



2903271

<https://www.phoenixcontact.com/us/products/2903271>

## Classifications

### ECLASS

ECLASS-13.0	27440302
ECLASS-15.0	27440322

### ETIM

ETIM 10.0	EC001132
-----------	----------

### UNSPSC

UNSPSC 21.0	39121400
-------------	----------

# SUBCON-PLUS-ARCNET/AX/SC038 - D-SUB bus connector



2903271

<https://www.phoenixcontact.com/us/products/2903271>

## Environmental product compliance

### EU RoHS

Fulfills EU RoHS substance requirements	Yes, No exemptions
---	--------------------

### China RoHS

Environment friendly use period (EFUP)	EFUP-E
	No hazardous substances above the limits

### EU REACH SVHC

REACH candidate substance (CAS No.)	No substance above 0.1 wt%
-------------------------------------	----------------------------

### EF3.1 Climate Change

CO2e kg	0.493 kg CO2e
---------	---------------

Phoenix Contact 2026 © - all rights reserved  
<https://www.phoenixcontact.com>

Phoenix Contact USA  
586 Fulling Mill Road  
Middletown, PA 17057, United States  
(+717) 944-1300  
[info@phoenixcon.com](mailto:info@phoenixcon.com)