

ST-OV3- 24DC/ 60DC/3 - Solid-state relay

2903228

<https://www.phoenixcontact.com/us/products/2903228>

Please be informed that the data shown in this PDF document is generated from our online catalog. Please find the complete data in the user documentation. Our general terms of use for downloads are valid.



Plug-in power solid-state relay, with LED and protective circuit in input and output circuits, input: 24 V DC, output: 12 - 60 V DC/max. 3 A, can be plugged into basic terminal blocks

The figure shows version ST-OV
3- 5 DC/60 DC/3

Commercial data

Item number	2903228
Packing unit	10 pc
Minimum order quantity	1 pc
Sales key	C460
Product key	DK61B1
GTIN	4017918079000
Weight per piece (including packing)	54.2 g
Weight per piece (excluding packing)	54.2 g
Customs tariff number	85364190
Country of origin	DE

ST-OV3- 24DC/ 60DC/3 - Solid-state relay



2903228

<https://www.phoenixcontact.com/us/products/2903228>

Technical data

Product properties

Product type	Single solid-state relay
--------------	--------------------------

Data management status

Date of last data management	01.04.2026
------------------------------	------------

Electrical properties

Test voltage (Input/output)	2.5 kV AC (Input/output)
-----------------------------	--------------------------

Input data

Nominal input voltage U_N	24 V DC
Input voltage range in reference to U_N	0.8 ... 1.2
Input voltage range	19.2 V DC ... 28.8 V DC
Switching threshold "0" signal in reference to U_N	≤ 0.4
Switching threshold "1" signal in reference to U_N	≥ 0.8
Typical input current at U_N	7 mA
Typical response time	20 μ s
Typical turn-off time	200 μ s
Transmission frequency	500 Hz

Output data

Design of digital output	electronic
Output voltage range	12 V DC ... 60 V DC
Limiting continuous current	3 A (see derating curve)
Surge current	5 A (t = 1 s)
Peak offstate voltage	70 V DC (Collector-emitter reverse voltage)
Voltage drop at max. limiting continuous current	1.2 V
Output circuit	2-conductor, floating
Protective circuit	Reverse polarity protection; Polarity protection diode Surge protection

Dimensions

Item dimensions

Width	20.8 mm
Height	33 mm
Depth	66.5 mm

Material specifications

Color	green (RAL 6021)
-------	------------------

Environmental and real-life conditions

ST-OV3- 24DC/ 60DC/3 - Solid-state relay



2903228

<https://www.phoenixcontact.com/us/products/2903228>

Ambient conditions

Ambient temperature (operation)	-20 °C ... 60 °C
Ambient temperature (storage/transport)	-20 °C ... 70 °C

Standards and regulations

Standards/regulations	IEC 60664
	IEC 60664A
	DIN VDE 0110

Mounting

Mounting position	any
-------------------	-----

ST-OV3- 24DC/ 60DC/3 - Solid-state relay

2903228

<https://www.phoenixcontact.com/us/products/2903228>



Drawings

Diagram



- ① In rows with zero spacing
- ② stand-alone device

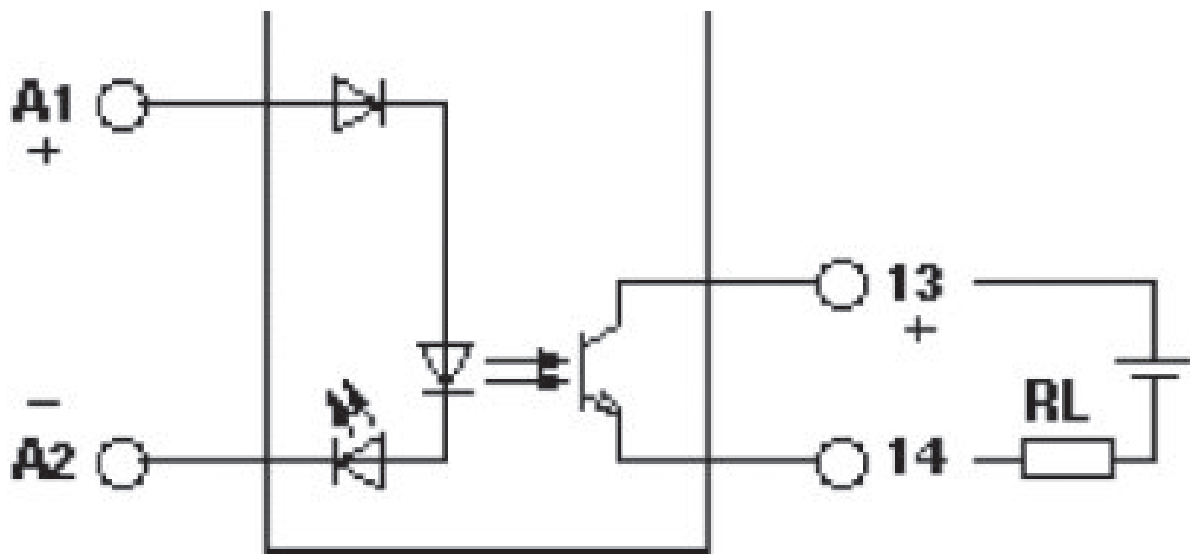
ST-OV3- 24DC/ 60DC/3 - Solid-state relay

2903228

<https://www.phoenixcontact.com/us/products/2903228>



Circuit diagram



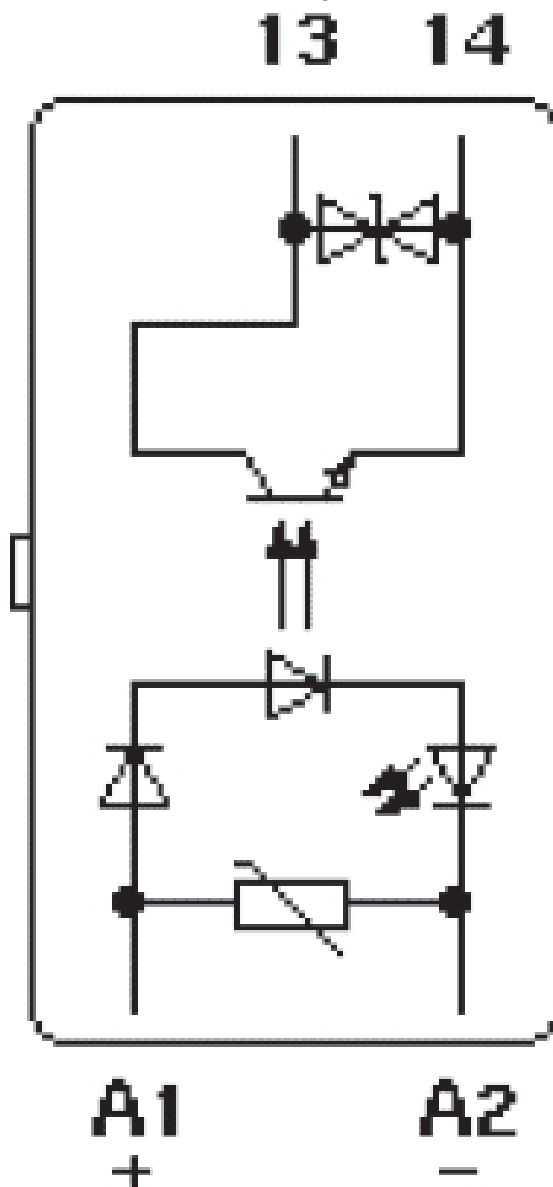
ST-OV3- 24DC/ 60DC/3 - Solid-state relay

2903228

<https://www.phoenixcontact.com/us/products/2903228>



Circuit diagram



ST-OV3- 24DC/ 60DC/3 - Solid-state relay



2903228

<https://www.phoenixcontact.com/us/products/2903228>

Classifications

ECLASS

ECLASS-13.0	27371604
ECLASS-15.0	27371604

ETIM

ETIM 10.0	EC001504
-----------	----------

UNSPSC

UNSPSC 21.0	39122300
-------------	----------

ST-OV3- 24DC/ 60DC/3 - Solid-state relay



2903228

<https://www.phoenixcontact.com/us/products/2903228>

Environmental product compliance

EU RoHS

Fulfills EU RoHS substance requirements	Yes
Exemption	7(a), 7(c)-I

China RoHS

Environment friendly use period (EFUP)	EFUP-50
	An article-related China RoHS declaration table can be found in the download area for the respective article under "Manufacturer declaration". For all articles with EFUP-E, no China RoHS declaration table issued and required.

EU REACH SVHC

REACH candidate substance (CAS No.)	Hexahydromethylphthalic anhydride(CAS: n/a)
	Lead(CAS: 7439-92-1)
SCIP	b5ae0fd8-4c90-40e2-9ad3-01f00b540488

EF3.1 Climate Change

CO2e kg	1.239 kg CO2e
---------	---------------

Phoenix Contact 2026 © - all rights reserved
<https://www.phoenixcontact.com>

Phoenix Contact USA
586 Fulling Mill Road
Middletown, PA 17057, United States
(+717) 944-1300
info@phoenixcon.com