

# RAD-2400-ANT-OMNI-6-0-SW - Antenna



2903219

<https://www.phoenixcontact.com/us/products/2903219>

Please be informed that the data shown in this PDF document is generated from our online catalog. Please find the complete data in the user documentation. Our general terms of use for downloads are valid.



Omnidirectional antenna, 2.4 GHz, gain: 6 dBi, polarization: linear, opening angle: h/v 360°/20°, degree of protection: IP67, seawater-resistant, connection: N (female), incl. mounting bracket and mast clips

## Your advantages

- For use in potentially explosive areas
- Salt water resistant
- For freely mobile applications
- For multipoint or mesh connections

## Commercial data

Item number	2903219
Packing unit	1 pc
Note	Made to order (non-returnable)
Sales key	DN23
Product key	DNN2Z1
GTIN	4046356726047
Weight per piece (including packing)	330.4 g
Weight per piece (excluding packing)	150 g
Customs tariff number	85177000
Country of origin	TW

## Technical data

### Product properties

Product type	Antenna
Gain	6 dBi
Vertical beamwidth	20 °
Horizontal beamwidth	360 °
Polarization	Linear vertical

### Electrical properties

Frequency band	2.4 GHz
Frequency range	2.4 GHz ... 2.5 GHz
Impedance	50 Ω
Maximum capacity	15.00 W
Voltage standing wave ratio VSWR in a 50 Ω system	≤ 1.80

### Connection data

#### Connection technology

Connection method	N (female)
Outside diameter	30 mm ... 45 mm (Mast)

### Dimensions

Height	330 mm
Diameter	20 mm

#### External dimensions

Outside diameter	30 mm ... 45 mm (Mast)
------------------	------------------------

### Material specifications

Material	Fiberglass-reinforced plastic
	Fiberglass-reinforced plastic
	V2A

### Cable/line

Connecting cable	no
------------------	----

### Environmental and real-life conditions

#### Ambient conditions

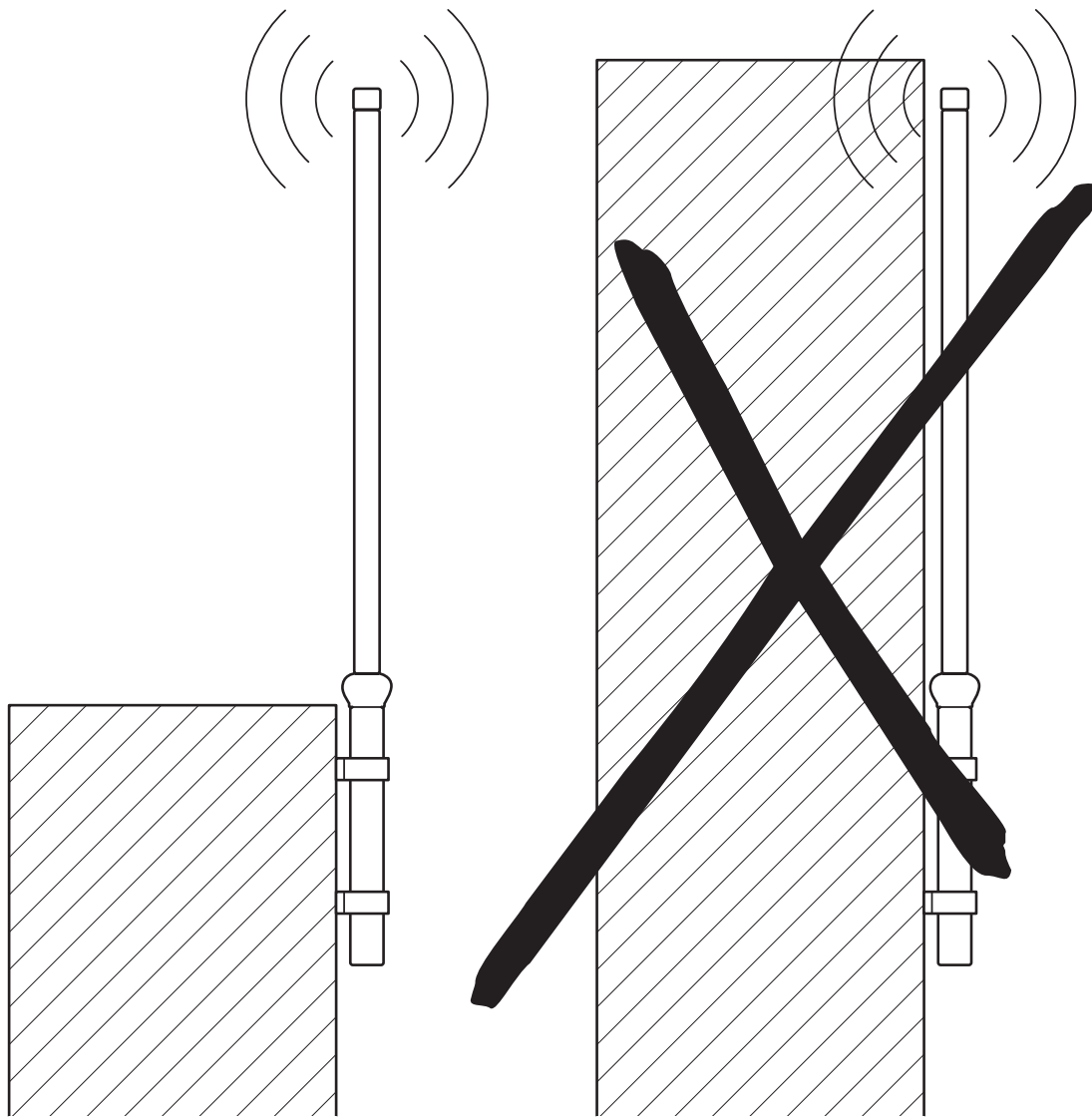
Degree of protection	IP65
Ambient temperature (operation)	-40 °C ... 75 °C
Ambient temperature (storage/transport)	-40 °C ... 85 °C

### Mounting

Mounting type	Mast mounting or panel mounting
---------------	---------------------------------

Drawings

Schematic diagram



Panel mounting

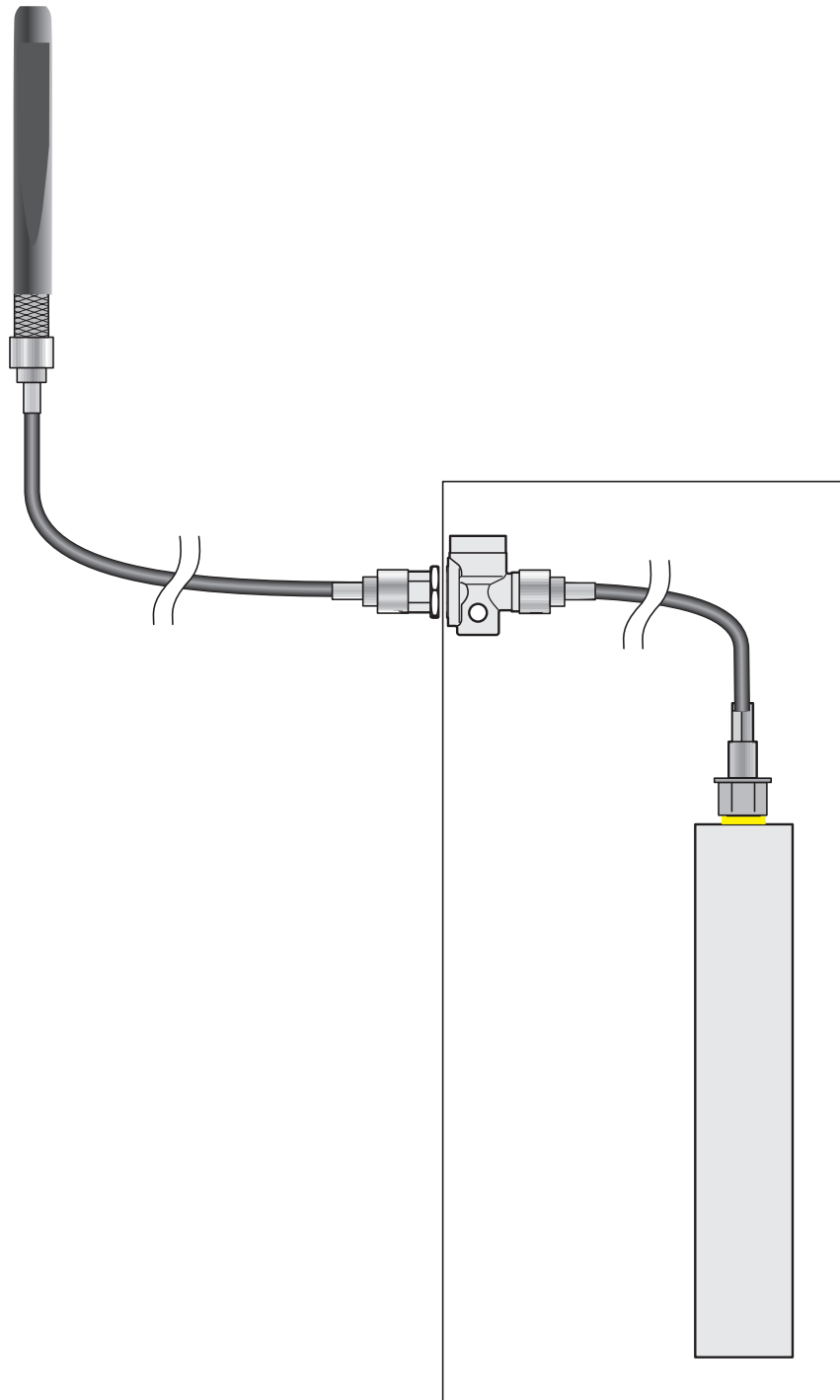
# RAD-2400-ANT-OMNI-6-0-SW - Antenna



2903219

<https://www.phoenixcontact.com/us/products/2903219>

Schematic diagram



Installation example

## Environmental product compliance

### China RoHS

Environment friendly use period (EFUP)	EFUP-25 An article-related China RoHS declaration table can be found in the download area for the respective article under "Manufacturer declaration". For all articles with EFUP-E, no China RoHS declaration table issued and required.
--	--

### EU REACH SVHC

REACH candidate substance (CAS No.)	No substance above 0.1 wt%
-------------------------------------	----------------------------

Phoenix Contact 2026 © - all rights reserved

<https://www.phoenixcontact.com>

Phoenix Contact USA  
586 Fulling Mill Road  
Middletown, PA 17057, United States  
(+717) 944-1300  
[info@phoenixcon.com](mailto:info@phoenixcon.com)