

ST-OV3-220DC/240AC/3 - Solid-state relay



2903105

<https://www.phoenixcontact.com/us/products/2903105>

Please be informed that the data shown in this PDF document is generated from our online catalog. Please find the complete data in the user documentation. Our general terms of use for downloads are valid.



Pluggable power optocoupler, with light indicator and protection circuits in the input and output circuits, input: 220 V DC, output: 24-280 V AC/max. 3 A, can be plugged on basic termination blocks

The figure shows version ST-OV
3- 5 DC/240 AC/3

Commercial data

Item number	2903105
Packing unit	1 pc
Note	Made to order (non-returnable)
Sales key	NULL
Product key	DK61B3
GTIN	4017918078935
Weight per piece (including packing)	61.15 g
Weight per piece (excluding packing)	61.15 g
Customs tariff number	85364900
Country of origin	DE

ST-OV3-220DC/240AC/3 - Solid-state relay



2903105

<https://www.phoenixcontact.com/us/products/2903105>

Technical data

Product properties

Product type	Single solid-state relay
--------------	--------------------------

Data management status

Date of last data management	01.04.2026
------------------------------	------------

Electrical properties

Test voltage (Input/output)	2.5 kV AC (Input/output)
-----------------------------	--------------------------

Input data

Nominal input voltage U_N	220 V DC
Input voltage range in reference to U_N	0.8 ... 1.2
Input voltage range	176 V DC ... 144 V DC
Switching threshold "0" signal, voltage	≤ 86 V
Switching threshold "1" signal voltage	≥ 106 V
Typical input current at U_N	7 mA
Typical response time	switch-on time: Max. one half cycle - zero-voltage crossing
Typical turn-off time	switch-off time Max. one half cycle - zero-current crossing
Operating voltage display	Yellow LED
Protective circuit	Reverse polarity protection; Polarity protection diode
Transmission frequency	25 Hz

Output data

Design of digital output	electronic
Output voltage range	24 V AC ... 280 V AC
Limiting continuous current	3 A (see derating curve)
Min. load current	50 mA
Leakage current	5 mA (in off state - components with low minimum load and leakage currents on request.)
Surge current	35 A (t = 10 ms)
Phase angle $\cos \phi$ min	0.5
Max. load value	$6 \text{ A}^2\text{s}$ ($I^2 \times t$ at t = 8.3 ms)
Peak offstate voltage	600 V
Voltage drop at max. limiting continuous current	1.5 V
Output circuit	2-conductor, floating
Protective circuit	RC element

Dimensions

Width	20.8 mm
Height	33 mm
Depth	66.5 mm

Material specifications

ST-OV3-220DC/240AC/3 - Solid-state relay



2903105

<https://www.phoenixcontact.com/us/products/2903105>

Color	green (RAL 6021)
-------	------------------

Environmental and real-life conditions

Ambient conditions

Ambient temperature (operation)	-20 °C ... 60 °C
Ambient temperature (storage/transport)	-20 °C ... 70 °C

Standards and regulations

Standards/regulations	DIN VDE 0110
-----------------------	--------------

Mounting

Mounting position	any
-------------------	-----

ST-OV3-220DC/240AC/3 - Solid-state relay

2903105

<https://www.phoenixcontact.com/us/products/2903105>

Drawings

Diagram



- ① In rows with zero spacing
- ② stand-alone device

ST-OV3-220DC/240AC/3 - Solid-state relay

2903105

<https://www.phoenixcontact.com/us/products/2903105>

Circuit diagram

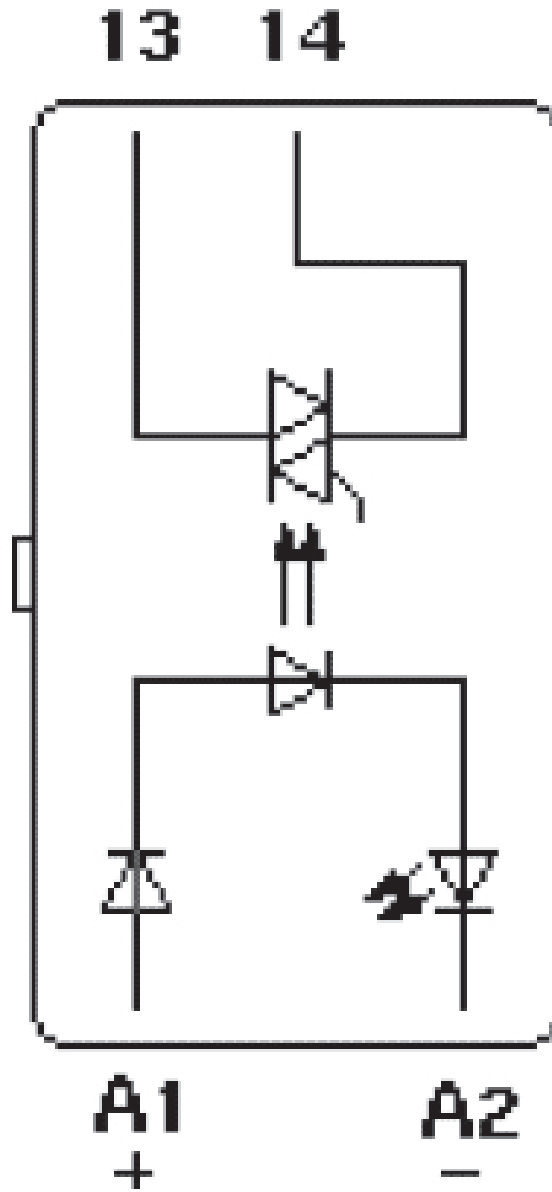


ST-OV3-220DC/240AC/3 - Solid-state relay

2903105

<https://www.phoenixcontact.com/us/products/2903105>

Circuit diagram



ST-OV3-220DC/240AC/3 - Solid-state relay



2903105

<https://www.phoenixcontact.com/us/products/2903105>

Environmental product compliance

EU REACH SVHC

REACH candidate substance (CAS No.)	
-------------------------------------	--

	No substance above 0.1 wt%
--	----------------------------

Phoenix Contact 2026 © - all rights reserved

<https://www.phoenixcontact.com>

Phoenix Contact USA
586 Fulling Mill Road
Middletown, PA 17057, United States
(+717) 944-1300
info@phoenixcon.com