

# ST-OV3- 12DC/240AC/3 - Solid-state relay



2903040

<https://www.phoenixcontact.com/us/products/2903040>

Please be informed that the data shown in this PDF document is generated from our online catalog. Please find the complete data in the user documentation. Our general terms of use for downloads are valid.



Plug-in power solid-state relay, with LED and protective circuit in input and output circuits, input: 12 V DC, output: 24 - 280 V AC/max. 3 A, can be plugged into basic terminal blocks

The figure shows version ST-OV  
3- 5 DC/240 AC/3

## Commercial data

Item number	2903040
Packing unit	1 pc
Note	Made to order (non-returnable)
Sales key	C460
Product key	DK61B3
GTIN	4017918078898
Weight per piece (including packing)	56.97 g
Weight per piece (excluding packing)	56.97 g
Customs tariff number	85364190
Country of origin	DE

# ST-OV3- 12DC/240AC/3 - Solid-state relay



2903040

<https://www.phoenixcontact.com/us/products/2903040>

## Technical data

### Product properties

Product type	Single solid-state relay
Data management status	
Date of last data management	05.09.2025

### Electrical properties

Test voltage (Input/output)	2.5 kV AC (Input/output)
-----------------------------	--------------------------

### Input data

Nominal input voltage $U_N$	12 V DC
Input voltage range in reference to $U_N$	0.8 ... 1.2
Input voltage range	9.6 V DC ... 14.4 V DC
Switching threshold "0" signal in reference to $U_N$	$\leq 0.4$
Switching threshold "1" signal in reference to $U_N$	$\geq 0.8$
Typical input current at $U_N$	7 mA
Typical response time	switch-on time: Max. one half cycle - zero-voltage crossing
Typical turn-off time	switch-off time Max. one half cycle - zero-current crossing
Operating voltage display	Yellow LED
Protective circuit	Reverse polarity protection; Polarity protection diode
Transmission frequency	25 Hz

### Output data

Design of digital output	electronic
Output voltage range	24 V AC ... 280 V AC
Limiting continuous current	3 A (see derating curve)
Min. load current	50 mA
Leakage current	5 mA (in off state - components with low minimum load and leakage currents on request.)
Surge current	35 A (t = 10 ms)
Phase angle $\cos \phi$ min	0.5
Max. load value	$6 \text{ A}^2\text{s}$ ( $I^2 \times t$ at t = 8.3 ms)
Peak offstate voltage	600 V (Periodic peak reverse voltage)
Voltage drop at max. limiting continuous current	1.5 V
Output circuit	2-conductor, floating
Protective circuit	RC element

### Dimensions

Width	20.8 mm
Height	33 mm
Depth	66.5 mm

### Material specifications

# ST-OV3- 12DC/240AC/3 - Solid-state relay



2903040

<https://www.phoenixcontact.com/us/products/2903040>

Color	green (RAL 6021)
-------	------------------

## Environmental and real-life conditions

### Ambient conditions

Ambient temperature (operation)	-20 °C ... 60 °C
Ambient temperature (storage/transport)	-20 °C ... 70 °C

## Standards and regulations

Standards/regulations	DIN VDE 0110
-----------------------	--------------

## Mounting

Mounting position	any
-------------------	-----

# ST-OV3- 12DC/240AC/3 - Solid-state relay

2903040

<https://www.phoenixcontact.com/us/products/2903040>

## Drawings

Diagram



- ① In rows with zero spacing
- ② stand-alone device

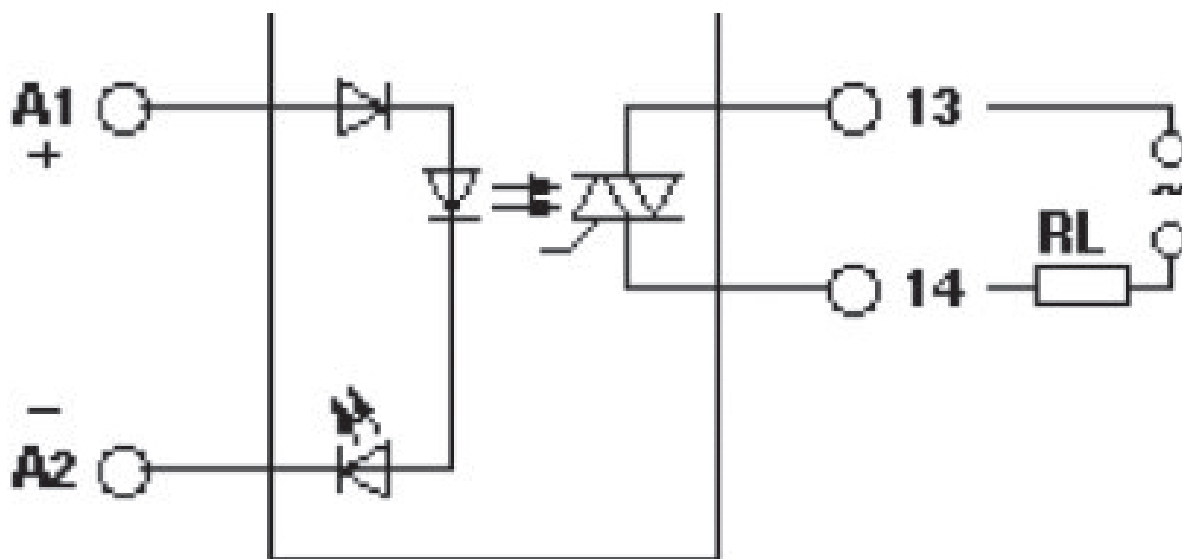
# ST-OV3- 12DC/240AC/3 - Solid-state relay



2903040

<https://www.phoenixcontact.com/us/products/2903040>

Circuit diagram



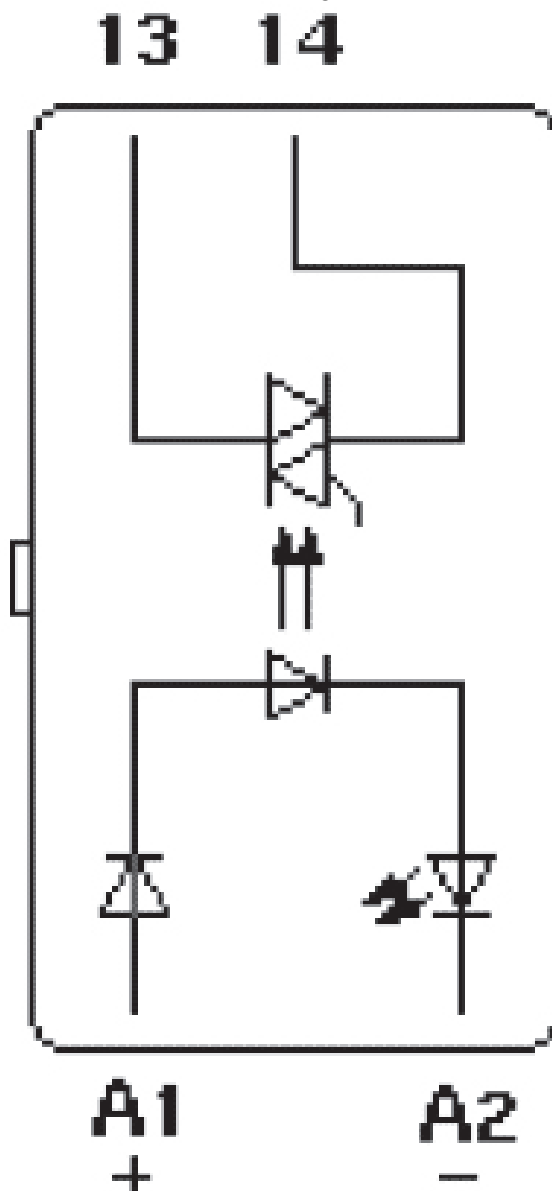
# ST-OV3- 12DC/240AC/3 - Solid-state relay

2903040

<https://www.phoenixcontact.com/us/products/2903040>



Circuit diagram



# ST-OV3- 12DC/240AC/3 - Solid-state relay



2903040

<https://www.phoenixcontact.com/us/products/2903040>

## Environmental product compliance

### China RoHS

Environment friendly use period (EFUP)	EFUP-50
	An article-related China RoHS declaration table can be found in the download area for the respective article under "Manufacturer declaration". For all articles with EFUP-E, no China RoHS declaration table issued and required.

### EU REACH SVHC

REACH candidate substance (CAS No.)	No substance above 0.1 wt%
-------------------------------------	----------------------------

Phoenix Contact 2026 © - all rights reserved  
<https://www.phoenixcontact.com>

Phoenix Contact USA  
586 Fulling Mill Road  
Middletown, PA 17057, United States  
(+717) 944-1300  
[info@phoenixcon.com](mailto:info@phoenixcon.com)