

# MINI MCR-SL-FM-RC-NC - Monitoring block



2902961

<https://www.phoenixcontact.com/us/products/2902961>

Please be informed that the data shown in this PDF document is generated from our online catalog. Please find the complete data in the user documentation. Our general terms of use for downloads are valid.



The fault monitoring module is used to evaluate and report group errors from the fault monitoring system and to monitor the supply voltages. The error is reported via an N/O contact. Screw connection, standard configuration.

## Product description

The MINI MCR-SL-FM-RO-(SP) fault monitoring module is used to evaluate and report group errors from the fault monitoring system. It can be used to monitor the supply voltages of a MINI MCR-SL-PTB-FM-(-SP) power terminal block (Item No. 2902958, 2902959). It also offers the option of detecting and reporting errors from MINI Analog measuring transducers which support fault monitoring and are connected to the fault monitoring module via the ME 6,2 TBUS-2 DIN rail connector (Item No. 2869728). Drawing off the supply is also possible. The error message is reported via an N/C contact. A maximum of 80 measuring transducers can be monitored as a group.

## Commercial data

Item number	2902961
Packing unit	1 pc
Minimum order quantity	1 pc
Sales key	C403
Product key	DK113Z
GTIN	4046356702850
Weight per piece (including packing)	95.2 g
Weight per piece (excluding packing)	81.7 g
Customs tariff number	85369010
Country of origin	DE

# MINI MCR-SL-FM-RC-NC - Monitoring block



2902961

<https://www.phoenixcontact.com/us/products/2902961>

## Technical data

### Notes

#### Utilization restriction

EMC note	EMC: class A product, see manufacturer's declaration in the download area
----------	---

### Product properties

Product type	Evaluation unit
Product family	MINI Analog
Configuration	DIP switches

### System properties

#### Functionality

Configuration	DIP switches
---------------	--------------

### Electrical properties

Electrical isolation	2-way isolation
Electrical isolation between input and output	yes
Maximum temperature coefficient	< 0.01 %/K

#### Electrical isolation

Overvoltage category	II
Pollution degree	2

#### Electrical isolation Input, supply, output to the switching output IEC/EN 61010

Standards/regulations	IEC/EN 61010
Rated insulation voltage	50 V AC/DC
Test voltage	1.5 kV AC (50 Hz, 60 s)
Insulation	Basic insulation

#### Supply

Supply voltage range	9.6 V DC ... 30 V DC (The DIN rail connector (ME 6,2 TBUS-2 1,5/5-ST-3,81 GN, item no. 2869728) can be used to bridge the supply voltage. It can be snapped onto a 35 mm DIN rail in accordance with EN 60715)
Max. current consumption	< 5 mA (at 24 V DC)
Power consumption	< 120 mW (at 24 V DC)

### Input data

#### Signal: Voltage

Description of the input	Voltage input for redundancy monitoring
Voltage input signal	9.6 V DC ... 30 V DC

### Output data

# MINI MCR-SL-FM-RC-NC - Monitoring block

2902961

<https://www.phoenixcontact.com/us/products/2902961>

## Switching: Relay

Maximum switching voltage	30 V AC/DC
Max. switching current	50 mA

## Signal: Voltage/current

Voltage output signal	8.8 V DC ... 29.2 V DC
Max. current output signal	2 A

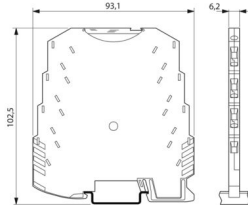
## Connection data

Connection method	Screw connection
Stripping length	12 mm
Screw thread	M3
Conductor cross-section rigid	0.2 mm <sup>2</sup> ... 2.5 mm <sup>2</sup>
Conductor cross-section flexible	0.2 mm <sup>2</sup> ... 2.5 mm <sup>2</sup>
Conductor cross-section AWG	26 ... 12

## Signaling

Status display	Yellow LED (switching output)
Error indication	Red LED

## Dimensions

Dimensional drawing	
Width	6.2 mm
Height	93.1 mm
Depth	101.2 mm

## Material specifications

Color	green (RAL 6021)
Housing material	PBT
Fire protection for rail vehicles (DIN EN 45545-2) R22	HL 1 - HL 2
Fire protection for rail vehicles (DIN EN 45545-2) R23	HL 1 - HL 2
Fire protection for rail vehicles (DIN EN 45545-2) R24	HL 1 - HL 2

## Environmental and real-life conditions

### Ambient conditions

Degree of protection	IP20
Ambient temperature (operation)	-20 °C ... 65 °C
Ambient temperature (storage/transport)	-40 °C ... 85 °C

# MINI MCR-SL-FM-RC-NC - Monitoring block



2902961

<https://www.phoenixcontact.com/us/products/2902961>

Altitude	≤ 2000 m
Permissible humidity (operation)	5 % ... 95 % (non-condensing)

## Approvals

CE

Certificate	CE-compliant
-------------	--------------

UL, USA/Canada

Identification	UL 508 Listed
	Class I, Div. 2, Groups A, B, C, D T4
	Class I, Zone 2, Group IIC

## EMC data

Electromagnetic compatibility	Conformance with EMC directive
Noise immunity	EN 61000-6-2
Note	When being exposed to interference, there may be minimal deviations.

Noise emission

Standards/regulations	EN 61000-6-4
-----------------------	--------------

Electrostatic discharge

Standards/regulations	EN 61000-4-2
-----------------------	--------------

Electrostatic discharge

Comments	Safety measures must be taken to prevent electrostatic discharge.
----------	---

Electromagnetic HF field

Designation	Electromagnetic RF field
Standards/regulations	EN 61000-4-3
Typical deviation from the measuring range final value	0.5 %

Electromagnetic HF field

Comments	Criterion A
----------	-------------

Fast transients (burst)

Designation	Fast transients (burst)
Standards/regulations	EN 61000-4-4
Typical deviation from the measuring range final value	2 %

Fast transients (burst)

Comments	Criterion B
----------	-------------

Surge current load (surge)

Standards/regulations	EN 61000-4-5
-----------------------	--------------

Surge current load (surge)

Comments	Criterion B
----------	-------------

# MINI MCR-SL-FM-RC-NC - Monitoring block



2902961

<https://www.phoenixcontact.com/us/products/2902961>

## Conducted interference

Designation	Conducted interferences
Standards/regulations	EN 61000-4-6
Typical deviation from the measuring range final value	0.5 %

## Conducted interference

Comments	Criterion A
----------	-------------

## Standards and regulations

Electrical isolation	2-way isolation
----------------------	-----------------

## Mounting

Mounting type	DIN rail mounting
Mounting position	any

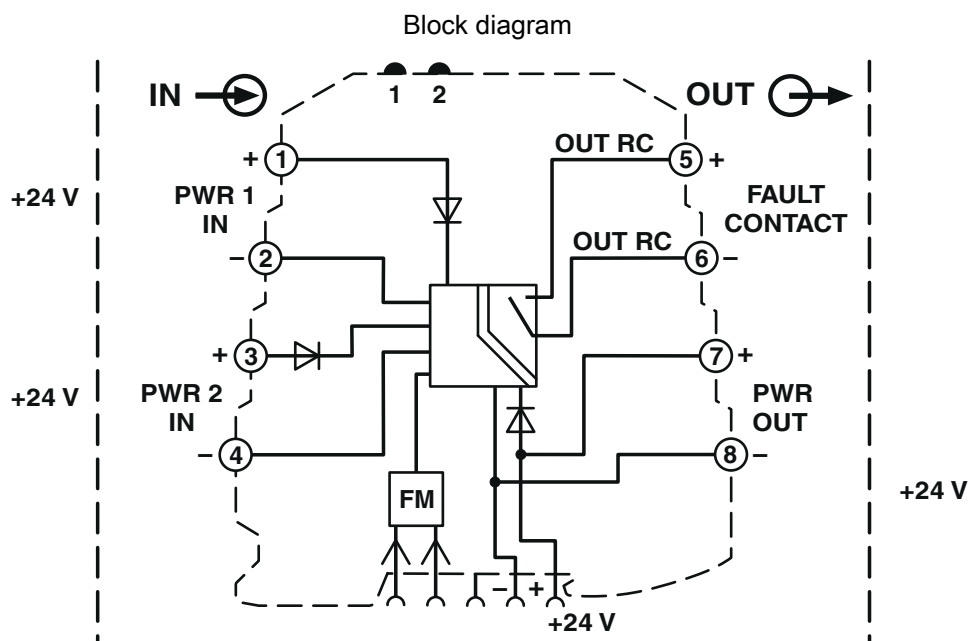
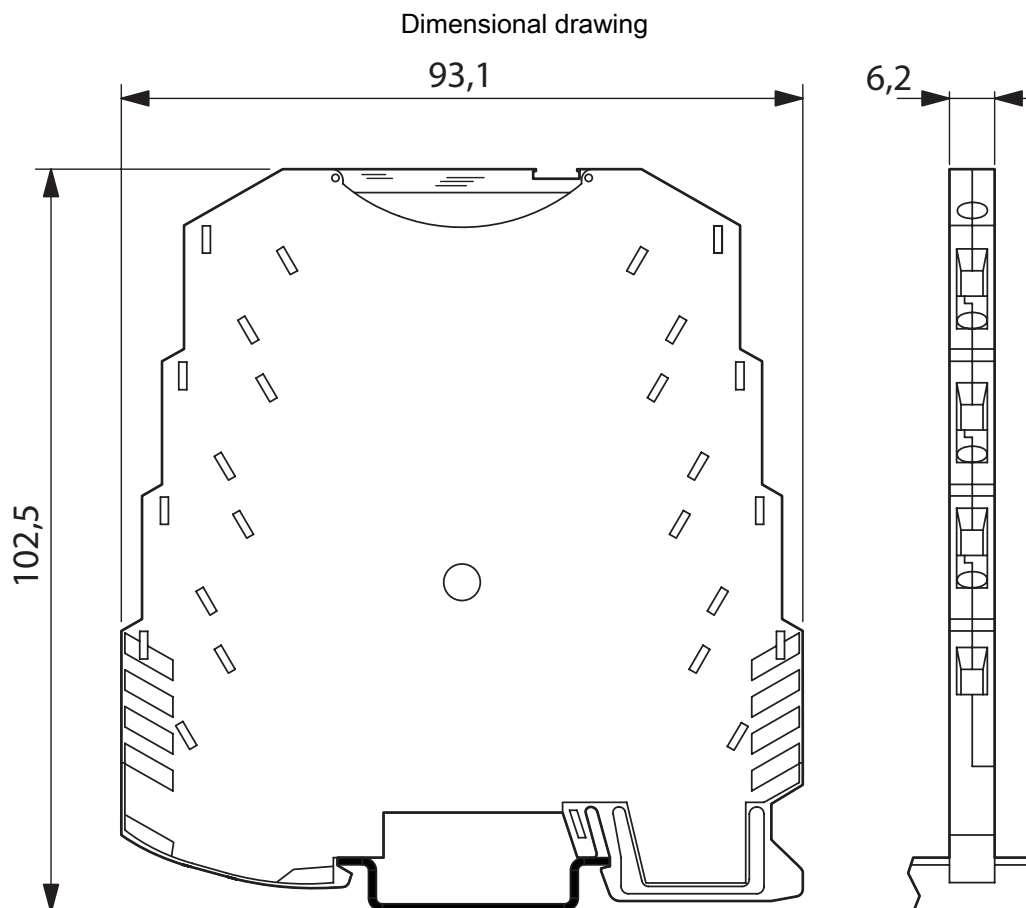
# MINI MCR-SL-FM-RC-NC - Monitoring block



2902961

<https://www.phoenixcontact.com/us/products/2902961>

## Drawings



# MINI MCR-SL-FM-RC-NC - Monitoring block





2902961

<https://www.phoenixcontact.com/us/products/2902961>

## Approvals


To download certificates, visit the product detail page: <https://www.phoenixcontact.com/us/products/2902961>

 **UL Listed**  
Approval ID: E238705

 **cUL Listed**  
Approval ID: E238705

**DNV**  
Approval ID: TAA00002R0

 **cUL Listed**  
Approval ID: E199827

 **UL Listed**  
Approval ID: FILE E 199827

# MINI MCR-SL-FM-RC-NC - Monitoring block



2902961

<https://www.phoenixcontact.com/us/products/2902961>

## Classifications

### ECLASS

ECLASS-13.0	27371392
ECLASS-15.0	27371392

### ETIM

ETIM 10.0	EC002886
-----------	----------

### UNSPSC

UNSPSC 21.0	39121100
-------------	----------

# MINI MCR-SL-FM-RC-NC - Monitoring block



2902961

<https://www.phoenixcontact.com/us/products/2902961>

## Environmental product compliance

### EU RoHS

Fulfills EU RoHS substance requirements	Yes
Exemption	7(a), 7(c)-I

### China RoHS

Environment friendly use period (EFUP)	EFUP-50
	An article-related China RoHS declaration table can be found in the download area for the respective article under "Manufacturer declaration". For all articles with EFUP-E, no China RoHS declaration table issued and required.

### EU REACH SVHC

REACH candidate substance (CAS No.)	Lead(CAS: 7439-92-1)
SCIP	d1cfc132-25cd-4fbb-8b60-b8799acfb4c5

Phoenix Contact 2026 © - all rights reserved

<https://www.phoenixcontact.com>

Phoenix Contact USA  
586 Fulling Mill Road  
Middletown, PA 17057, United States  
(+717) 944-1300  
[info@phoenixcon.com](mailto:info@phoenixcon.com)