

UM-2KS50/16DO/RS/ZFKDS - Output module



2902931

<https://www.phoenixcontact.com/us/products/2902931>

Please be informed that the data shown in this PDF document is generated from our online catalog. Please find the complete data in the user documentation. Our general terms of use for downloads are valid.



16-channel digital output module with spring-cage connection and redundant voltage supply. Suitable for Yokogawa card SDV 541.

The figure shows a version with a screw connection

Commercial data

Item number	2902931
Packing unit	1 pc
Minimum order quantity	1 pc
Product key	DK218N
GTIN	4046356697972
Weight per piece (including packing)	333.33 g
Weight per piece (excluding packing)	333.33 g
Country of origin	DE

UM-2KS50/16DO/RS/ZFKDS - Output module



2902931

<https://www.phoenixcontact.com/us/products/2902931>

Technical data

Product properties

Product type	Interface module
--------------	------------------

Insulation characteristics

Overvoltage category	III
Pollution degree	2

Electrical properties

Nominal voltage U_N	24 V DC $\pm 5\%$
Max. current carrying capacity per branch	100 mA
Max. total current of voltage supply	6.3 AT (F150, F151) plug-in fuse (5x20, 6.3 A), DIN 41662
Rated surge voltage	Basic insulation

Supported controller: YOKOGAWA ProSafe-RS

Suitable I/O card	SDV541
-------------------	--------

Connection data

Field level

Connection method	Spring-cage connection
Number of positions	32
Conductor cross-section rigid	0.2 mm ² ... 2.5 mm ²
Conductor cross-section flexible	0.2 mm ² ... 1.5 mm ²
Conductor cross-section AWG	24 ... 14

Controller level

Connection method	Yokogawa, KS compatible
Number of connections	2
Number of positions	50
Tightening torque	0.5 Nm

Signaling

Status display	Green LED (supply), yellow LED (channel)
Status display present	yes

Dimensions

Item dimensions

Width	162 mm
Height	112 mm
Depth	80 mm

Environmental and real-life conditions

Ambient conditions

UM-2KS50/16DO/RS/ZFKDS - Output module



2902931

<https://www.phoenixcontact.com/us/products/2902931>

Ambient temperature (operation)	-20 °C ... 70 °C
---------------------------------	------------------

Standards and regulations

Standards/regulations	DIN EN 50178
-----------------------	--------------

Mounting

Mounting type	DIN rail mounting
Mounting position	any

Notes

Notes on operation	Voltage monitoring on the module does not work in combination with upstream HESILED fuse terminal blocks with integrated LED display.
Notes on operation	For proper use, the specifications of the installation directive (see Downloads) must be observed. For applications or use with third-party products, the specifications, and the safety and warning instructions of the respective third-party manufacturer must also be met.

Utilization restriction

EMC note	EMC: class A product, see manufacturer's declaration in the download area
----------	---

UM-2KS50/16DO/RS/ZFKDS - Output module



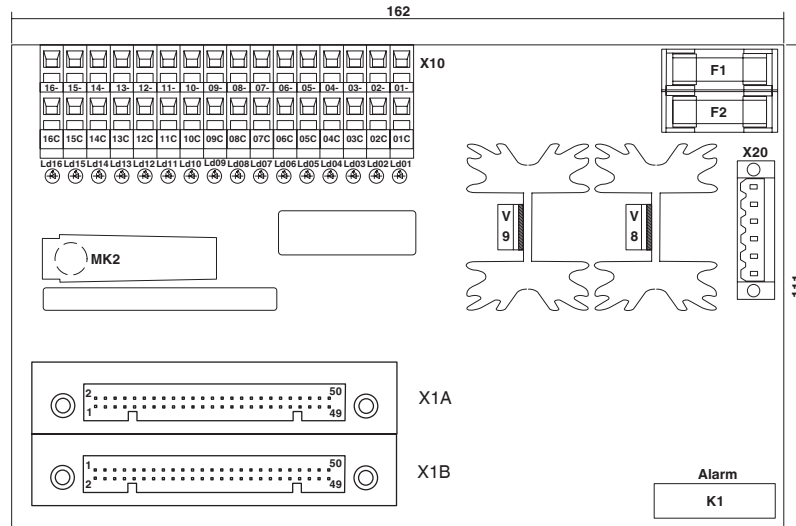
2902931

<https://www.phoenixcontact.com/us/products/2902931>

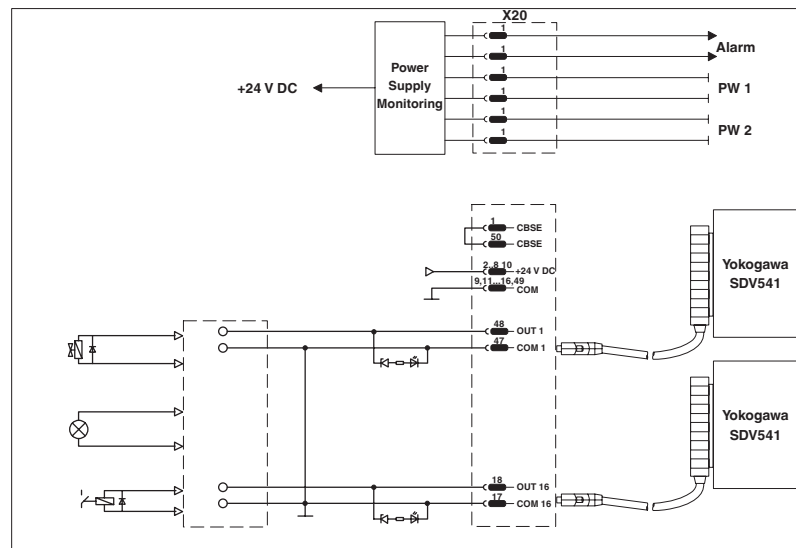
Drawings

Dimensional drawing

Bestückte Leiterplatte / assembled pcb



Anwendungsdiagramm / application diagram



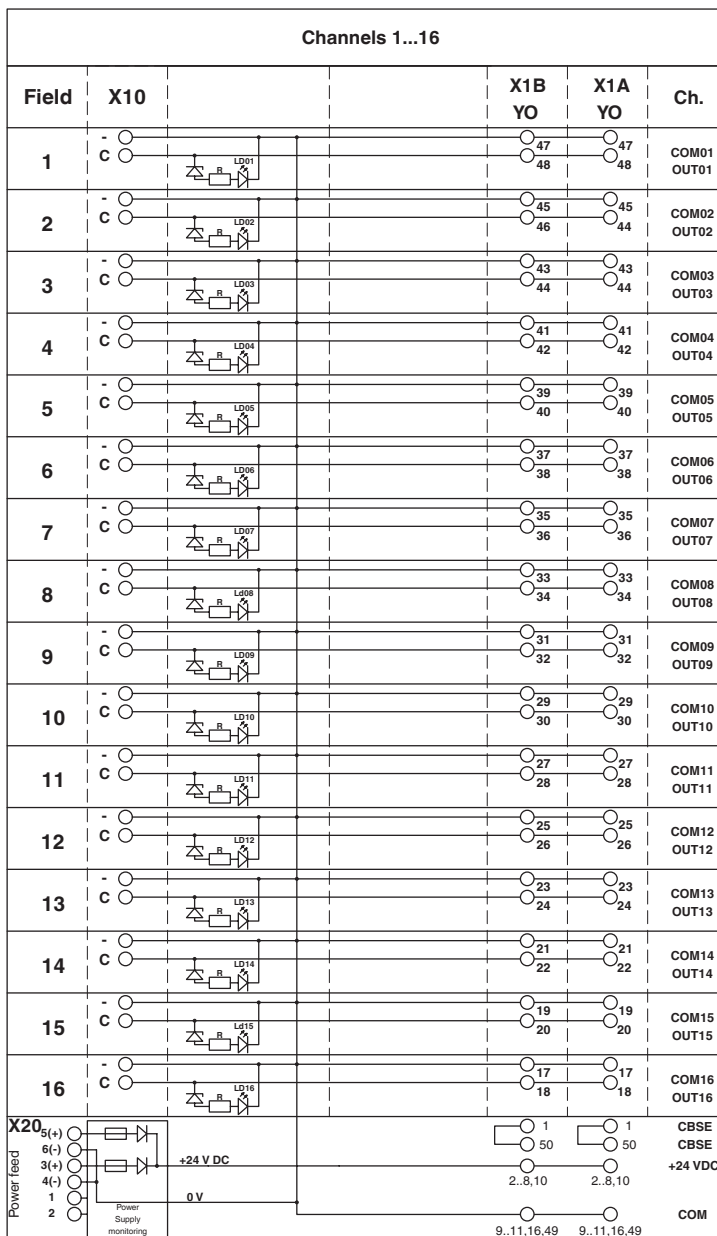
UM-2KS50/16DO/RS/ZFKDS - Output module



2902931

<https://www.phoenixcontact.com/us/products/2902931>

Circuit diagram



UM-2KS50/16DO/RS/ZFKDS - Output module



2902931

<https://www.phoenixcontact.com/us/products/2902931>

Environmental product compliance

China RoHS

Environment friendly use period (EFUP)	EFUP-50
	An article-related China RoHS declaration table can be found in the download area for the respective article under "Manufacturer declaration". For all articles with EFUP-E, no China RoHS declaration table issued and required.

EU REACH SVHC

REACH candidate substance (CAS No.)	No substance above 0.1 wt%
-------------------------------------	----------------------------

Phoenix Contact 2026 © - all rights reserved
<https://www.phoenixcontact.com>

Phoenix Contact USA
586 Fulling Mill Road
Middletown, PA 17057, United States
(+717) 944-1300
info@phoenixcon.com