

# TC-2D37SUB-DO16-ESD-AR-UNI - Module carrier



2902913

<https://www.phoenixcontact.com/us/products/2902913>

Please be informed that the data shown in this PDF document is generated from our online catalog. Please find the complete data in the user documentation. Our general terms of use for downloads are valid.



Universal termination carrier for redundantly connecting 16 PSR-FSP modules to digital output cards, via two D-SUB connectors, 37-pos. (1:1 connection). Solution for Emergency Shut Down (ESD) applications.

## Your advantages

- Mechanically decoupled PCB
- Robust aluminum profile with integrated DIN rail
- Side parts with integrated end clamps
- Redundant D-SUB pin strip system connection, 37-pos. (1:1 connection)
- Simple or redundant supply, decoupled from diode, protected against polarity reversal
- Error message in the event of power supply failure or fuse fault
- Relay output (N/O contact, floating) and flashing LED for error message
- Undervoltage monitoring at input at < 18 V DC
- Suitable for safe state off applications
- Cable sets for signal connection are not supplied as standard and must be ordered separately

## Commercial data

Item number	2902913
Packing unit	1 pc
Minimum order quantity	1 pc
Note	Made to order (non-returnable)
Sales key	C420
Product key	DK274W
GTIN	4046356703703
Weight per piece (including packing)	1,521 g
Weight per piece (excluding packing)	1,521 g
Customs tariff number	85366990
Country of origin	DE

## Technical data

### Notes

Notes on operation	For proper use, the specifications of the installation directive (see Downloads) must be observed. For applications or use with third-party products, the specifications, and the safety and warning instructions of the respective third-party manufacturer must also be met.
Utilization restriction	
EMC note	EMC: class A product, see manufacturer's declaration in the download area

### Product properties

Product type	Module carrier
Insulation characteristics: Air clearances and creepage distances	
Insulation	Basic insulation

### Electrical properties

Max. permissible current	1 A (Signal/channel)
Nominal voltage $U_N$	< 50 V DC (Per signal/channel)
Air clearances and creepage distances	
Rated insulation voltage	50 V
Rated surge voltage	0.5 kV
Supported controller: universal	
Suitable I/O card	universal

### Supply

Designation	Device supply
Fuse	2x 2.5 A on PCB, slow-blow (replaceable)
Input voltage	24 V DC
Input voltage range	21.1 V DC ... 26.4 V DC
Input current	≤ 2 A
Redundant supply	yes, decoupled from diodes
Polarization and surge protection	Yes
Output name	Switching output
Contact switching type	1 N/C contact (alarm = open)

### Connection data

#### Power supply

Connection method	Screw connection
Stripping length	7 mm
Number of connections	1
Number of positions	6

# TC-2D37SUB-DO16-ESD-AR-UNI - Module carrier



2902913

<https://www.phoenixcontact.com/us/products/2902913>

Conductor cross-section rigid	0.14 mm <sup>2</sup> ... 2.5 mm <sup>2</sup>
Conductor cross-section flexible	0.14 mm <sup>2</sup> ... 2.5 mm <sup>2</sup>
Conductor cross-section AWG	24 ... 12

## Controller level

Connection method	D-SUB pin strip
Number of connections	2
Number of positions	37

## Signaling

Status display	2 x red LED (error)
	2x green LEDs (PWR1 and PWR2)

## Dimensions

Width	304 mm
Height	170 mm
Depth	159.5 mm

## Material specifications

Flammability rating according to UL 94	V0
--	----

## Environmental and real-life conditions

### Ambient conditions

Degree of protection	IP00
Ambient temperature (operation)	-20 °C ... 60 °C
Ambient temperature (storage/transport)	-40 °C ... 80 °C
Altitude	≤ 2000 m
Permissible humidity (operation)	5 % ... 95 % (non-condensing)
Shock	15g, according to IEC 60068-2-27
Vibration (operation)	2g, according to IEC 60068-2-6

## Approvals

### UL, USA/Canada

Identification	UL 61010 Listed
	Class I, Div. 2, Groups A, B, C, D T4
	Class I, Zone 2, Group IIC

## Standards and regulations

### Air clearances and creepage distances

Standards/regulations	DIN EN 50178
-----------------------	--------------

## Mounting

Mounting type	DIN rail mounting
Assembly note	No end clamp

# TC-2D37SUB-DO16-ESD-AR-UNI - Module carrier



2902913

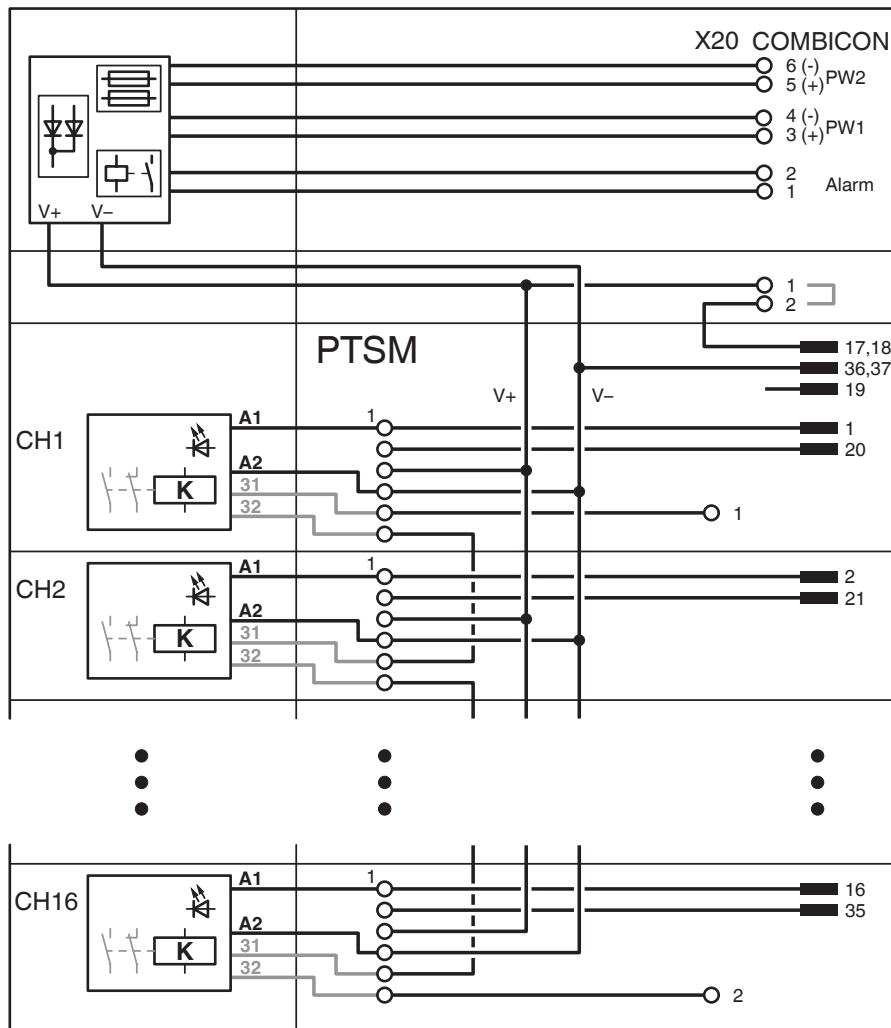
<https://www.phoenixcontact.com/us/products/2902913>

Mounting position

vertical, horizontal

## Drawings

Circuit diagram




Connection scheme TC-2D37SUB-DO16-ESD-AR-UNI


2902913


<https://www.phoenixcontact.com/us/products/2902913>


## Approvals

To download certificates, visit the product detail page: <https://www.phoenixcontact.com/us/products/2902913>

 <b>UL Listed</b> Approval ID: E330267				
	Nominal voltage $U_N$	Nominal current $I_N$	Cross section AWG	Cross section $mm^2$
keine				
	50 V	1 A	-	-

 <b>cUL Listed</b> Approval ID: E330267				
	Nominal voltage $U_N$	Nominal current $I_N$	Cross section AWG	Cross section $mm^2$
keine				
	50 V	1 A	-	-

 <b>cUL Listed</b> Approval ID: E199827				
	Nominal voltage $U_N$	Nominal current $I_N$	Cross section AWG	Cross section $mm^2$
keine				
	50 V	1 A	-	-

 <b>UL Listed</b> Approval ID: E199827				
	Nominal voltage $U_N$	Nominal current $I_N$	Cross section AWG	Cross section $mm^2$
keine				
	50 V	1 A	-	-

2902913

<https://www.phoenixcontact.com/us/products/2902913>

## Classifications

### ECLASS

ECLASS-13.0	27141152
ECLASS-15.0	27141152

### ETIM

ETIM 10.0	EC002780
-----------	----------

### UNSPSC

UNSPSC 21.0	39121400
-------------	----------

2902913

<https://www.phoenixcontact.com/us/products/2902913>

## Environmental product compliance

### EU RoHS

Fulfills EU RoHS substance requirements	Yes
Exemption	6(c), 7(a), 7(c)-I

### China RoHS

Environment friendly use period (EFUP)	EFUP-50
	An article-related China RoHS declaration table can be found in the download area for the respective article under "Manufacturer declaration". For all articles with EFUP-E, no China RoHS declaration table issued and required.

### EU REACH SVHC

REACH candidate substance (CAS No.)	Lead(CAS: 7439-92-1)
SCIP	4f59f272-fa38-4331-b3db-855f5551151e

Phoenix Contact 2026 © - all rights reserved

<https://www.phoenixcontact.com>

Phoenix Contact USA  
 586 Fulling Mill Road  
 Middletown, PA 17057, United States  
 (+717) 944-1300  
[info@phoenixcon.com](mailto:info@phoenixcon.com)