

# MINI MCR-SL-F-UI-SP-NC - Frequency measuring transducer



2902833

<https://www.phoenixcontact.com/us/products/2902833>

Please be informed that the data shown in this PDF document is generated from our online catalog. Please find the complete data in the user documentation. Our general terms of use for downloads are valid.



Frequency transducer for connecting NAMUR proximity sensors and sensors with NPN or PNP outputs. Configurable via DIP switch and teach-in wheel. Spring-cage connection, standard configuration. Replacement part: 2902058 MINI MCR-2-F-UI-PT.

## Product description

The configurable 3-way isolated frequency transducer is suitable for the connection of NAMUR proximity sensors (IEC 60947-5-6 and EN 50227) as well as for sensors with NPN and PNP outputs that generate a frequency signal.

The measured values are converted into a linear current or voltage signal.

The device is configured via DIP switches. Alternatively, the frequency range can be configured with extended options via the teach-in wheel. The measuring transducer supports fault monitoring.

## Commercial data

Item number	2902833
Packing unit	1 pc
Note	Made to order (non-returnable)
Sales key	C403
Product key	DK1136
GTIN	4046356685573
Weight per piece (including packing)	111.2 g
Weight per piece (excluding packing)	111.2 g
Customs tariff number	85437090
Country of origin	DE

# MINI MCR-SL-F-UI-SP-NC - Frequency measuring transducer



2902833

<https://www.phoenixcontact.com/us/products/2902833>

## Technical data

### Product properties

Product type	Frequency value transformer
Product family	MINI Analog
No. of channels	1
Operating elements	Press/slide button

### Insulation characteristics

Overvoltage category	II
Pollution degree	2

### Electrical properties

Rated insulation voltage	50 V AC/DC
Electrical isolation	3-way isolation
Electrical isolation between input and output	yes
Test voltage, input/output/supply	1.5 kV AC (50 Hz, 60 s)
Protective circuit	Transient protection
Step response (0–99%)	< 35 ms (At f > 500 Hz)
Maximum temperature coefficient	0.01 %/K
Transmission error in the set measuring range	0.1 %

### Electrical isolation Input/output/power supply

Rated insulation voltage	50 V AC/DC
Test voltage	1.5 kV AC (50 Hz, 60 s)
Insulation	Basic insulation in accordance with IEC/EN 61010

### Supply

Supply voltage range	9.6 V DC ... 30 V DC (The DIN rail connector (ME 6,2 TBUS-2 1,5/5-ST-3,81 GN, item no. 2869728) can be used to bridge the supply voltage. It can be snapped onto a 35 mm DIN rail in accordance with EN 60715)
Typical current consumption	< 28 mA (at I <sub>OUT</sub> = 20 mA, 24 V DC, load 500 Ω)
Power consumption	< 800 mW (at I <sub>OUT</sub> = 20 mA, 9.6 V DC, load 500 Ω)

## Input data

### Measurement: Frequency

Configurable/programmable	Yes
Available input sources	NPN/PNP transistor outputs
	NAMUR initiators
	Floating relay contact (dry contact)
Max. voltage input signal	30 V (incl. DC voltage)
Frequency measuring range	0.002 Hz ... 20 kHz (DIP switch)
	0.002 Hz ... 80 kHz (Teach-in wheel)

### Signal

# MINI MCR-SL-F-UI-SP-NC - Frequency measuring transducer




2902833

<https://www.phoenixcontact.com/us/products/2902833>

Number of inputs	1
Input signal	Frequency

## Output data

Signal: Voltage/current

Number of outputs	1
Configurable/programmable	Yes
Voltage output signal	0 V ... 5 V
	1 V ... 5 V
	0 V ... 10 V
	10 V ... 0 V
Max. voltage output signal	≈  V
Current output signal	0 mA ... 20 mA
	4 mA ... 20 mA
	20 mA ... 0 mA
	20 mA ... 4 mA
Max. current output signal	24.6 mA
Load/output load voltage output	≥ 10 kΩ
Load/output load current output	500 Ω (20 mA)
Ripple	< 20 mV <sub>PP</sub>
	< 20 mV <sub>PP</sub> (500 Ω)

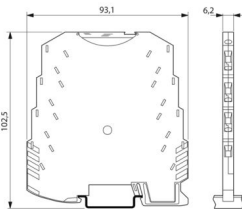
## Connection data

Connection method	Spring-cage connection
Stripping length	8 mm
Conductor cross-section rigid	0.2 mm <sup>2</sup> ... 2.5 mm <sup>2</sup>
Conductor cross-section flexible	0.2 mm <sup>2</sup> ... 2.5 mm <sup>2</sup>
Conductor cross-section AWG	24 ... 12

## Signaling

Status display	LED (red)
----------------	-----------

## Dimensions

Dimensional drawing	
Width	6.2 mm
Height	93.1 mm
Depth	102.5 mm

# MINI MCR-SL-F-UI-SP-NC - Frequency measuring transducer



2902833

<https://www.phoenixcontact.com/us/products/2902833>

## Material specifications

Color	green (RAL 6021)
Housing material	PBT
Fire protection for rail vehicles (DIN EN 45545-2) R22	HL 1 - HL 2
Fire protection for rail vehicles (DIN EN 45545-2) R23	HL 1 - HL 2
Fire protection for rail vehicles (DIN EN 45545-2) R24	HL 1 - HL 2

## Environmental and real-life conditions

### Ambient conditions

Degree of protection	IP20
Ambient temperature (operation)	-20 °C ... 65 °C
Ambient temperature (storage/transport)	-40 °C ... 85 °C
Permissible humidity (operation)	5 % ... 95 % (non-condensing)

## Approvals

### CE

Certificate	CE-compliant
-------------	--------------

### ATEX

Identification	Ⓔ II 3 G Ex nA IIC T4 Gc X
----------------	----------------------------

### UL, USA/Canada

Identification	UL 508 Listed
	Class I, Div. 2, Groups A, B, C, D T4
	Class I, Zone 2, Group IIC

### Shipbuilding approval

Identification	D, EMC2
Certificate	DNV GL 14085-15HH

## EMC data

Electromagnetic compatibility	Conformance with EMC directive
Noise immunity	EN 61000-6-2
Note	When being exposed to interference, there may be minimal deviations.

### Noise emission

Standards/regulations	EN 61000-6-4
-----------------------	--------------

### Electrostatic discharge

Standards/regulations	EN 61000-4-2
-----------------------	--------------

### Electrostatic discharge

Comments	Safety measures must be taken to prevent electrostatic discharge.
----------	---

# MINI MCR-SL-F-UI-SP-NC - Frequency measuring transducer



2902833

<https://www.phoenixcontact.com/us/products/2902833>

## Electromagnetic HF field

Designation	Electromagnetic RF field
Standards/regulations	EN 61000-4-3
Typical deviation from the measuring range final value	0.1 %

## Fast transients (burst)

Designation	Fast transients (burst)
Standards/regulations	EN 61000-4-4
Typical deviation from the measuring range final value	2 %

## Surge current load (surge)

Standards/regulations	EN 61000-4-5
-----------------------	--------------

## Conducted interference

Designation	Conducted interferences
Standards/regulations	EN 61000-4-6
Typical deviation from the measuring range final value	0.3 %

## Standards and regulations

Electrical isolation	3-way isolation
----------------------	-----------------

## Mounting

Mounting type	DIN rail mounting
Assembly note	The DIN rail connector can be used for bridging the supply voltage. It can be snapped onto a 35 mm EN 60715 DIN rail.
Mounting position	any

# MINI MCR-SL-F-UI-SP-NC - Frequency measuring transducer

2902833

<https://www.phoenixcontact.com/us/products/2902833>

## Drawings

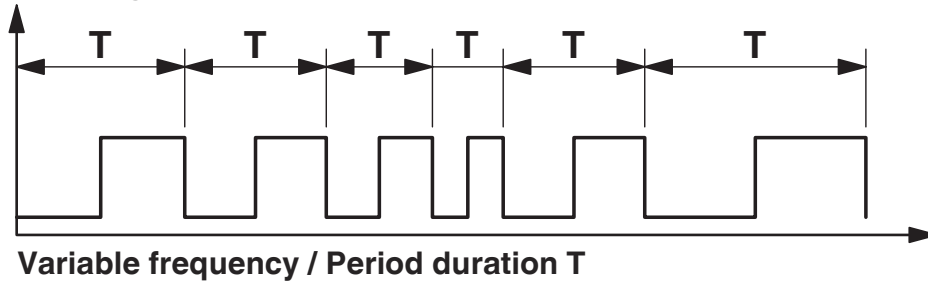


2902833

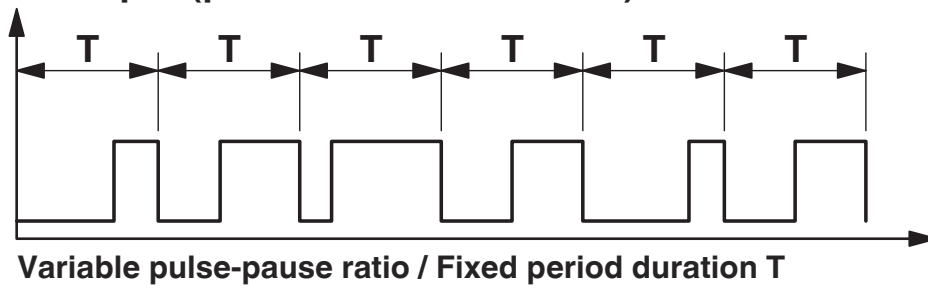
<https://www.phoenixcontact.com/us/products/2902833>

Diagram

Frequency output



PWM output (pulse width modulation)

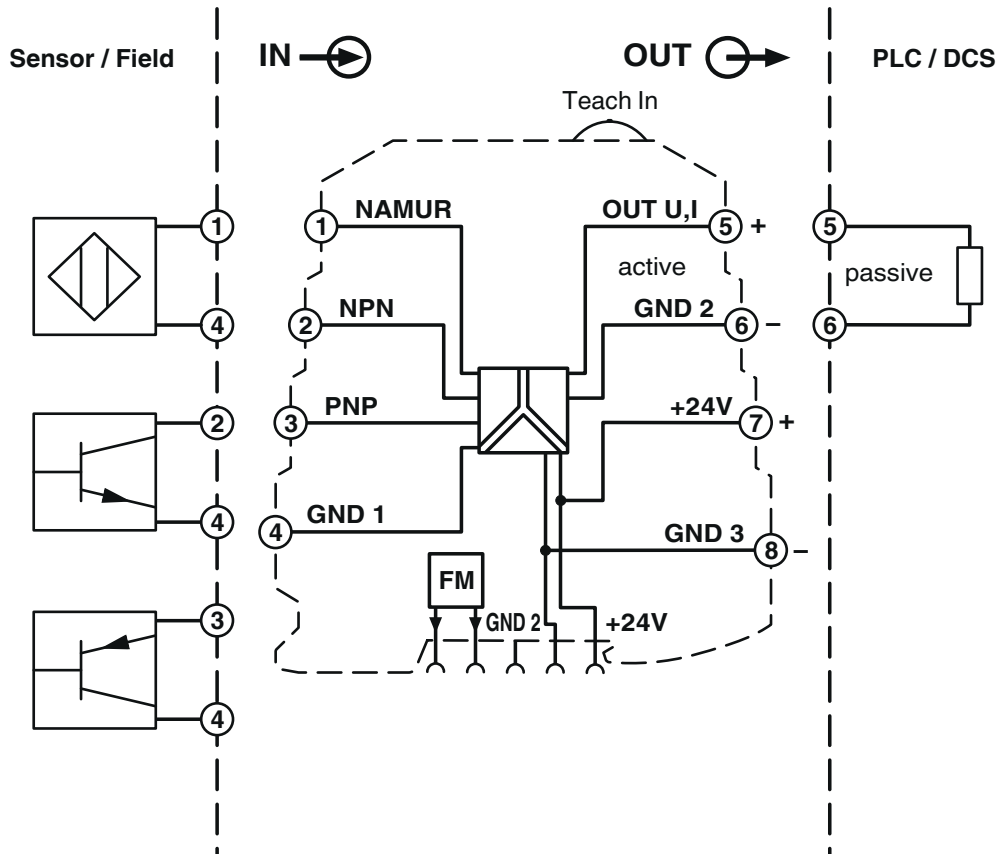


# MINI MCR-SL-F-UI-SP-NC - Frequency measuring transducer

2902833

<https://www.phoenixcontact.com/us/products/2902833>

Block diagram



# MINI MCR-SL-F-UI-SP-NC - Frequency measuring transducer



2902833

<https://www.phoenixcontact.com/us/products/2902833>

## Classifications

### UNSPSC

UNSPSC 21.0	39121008
-------------	----------

# MINI MCR-SL-F-UI-SP-NC - Frequency measuring transducer



2902833

<https://www.phoenixcontact.com/us/products/2902833>

## Environmental product compliance

### China RoHS

Environment friendly use period (EFUP)	EFUP-50 An article-related China RoHS declaration table can be found in the download area for the respective article under "Manufacturer declaration". For all articles with EFUP-E, no China RoHS declaration table issued and required.
--	--

### EU REACH SVHC

REACH candidate substance (CAS No.)	No substance above 0.1 wt%
-------------------------------------	----------------------------

Phoenix Contact 2026 © - all rights reserved  
<https://www.phoenixcontact.com>

Phoenix Contact USA  
586 Fulling Mill Road  
Middletown, PA 17057, United States  
(+717) 944-1300  
[info@phoenixcon.com](mailto:info@phoenixcon.com)