

MINI MCR-SL-CVS-24-5-10-NC - Constant voltage source



2902822

<https://www.phoenixcontact.com/us/products/2902822>

Please be informed that the data shown in this PDF document is generated from our online catalog. Please find the complete data in the user documentation. Our general terms of use for downloads are valid.



Constant voltage source, input voltage 9.6 - 30 V DC, output voltage 10 V, 7.5 V, 5 V, 2.5 V DC, electrically isolated, can be configured via DIP switches, screw connection technology, standard configuration

Product description

The 6.2 mm wide configurable MINI MCR-SL-CVS-24-10-5 constant voltage source is used to generate high precision constant voltages.

The input voltage can fall between 9.6 V DC and 30 V DC.

The DIP switches accessible from the side of the housing enable configuration of the 10 V DC, 5 V DC, 7.5 V DC, and 2.5 V DC output voltages.

The input voltage can be applied either via connection terminal blocks on the modules or in conjunction with the DIN rail connector.

Commercial data

Item number	2902822
Packing unit	1 pc
Minimum order quantity	1 pc
Sales key	C403
Product key	DK1139
GTIN	4046356682428
Weight per piece (including packing)	60.5 g
Weight per piece (excluding packing)	51.5 g
Customs tariff number	85437090
Country of origin	DE

MINI MCR-SL-CVS-24-5-10-NC - Constant voltage source



2902822

<https://www.phoenixcontact.com/us/products/2902822>

Technical data

Notes

Utilization restriction

EMC note	EMC: class A product, see manufacturer's declaration in the download area
----------	---

Product properties

Product type	Constant voltage source
Product family	MINI Analog
Configuration	DIP switches

System properties

Functionality

Configuration	DIP switches
---------------	--------------

Electrical properties

Setting range comparison	± 300 mV
Electrical isolation	2-way isolation
Electrical isolation between input and output	yes
Maximum power dissipation for nominal condition	300 mW
Maximum temperature coefficient	< 0.01 %/K
Temperature coefficient, typical	< 0.002 %/K
Maximum transmission error	≤ 0.1 % (of final value) ≤ 0.5 % (Without adjustment)

Electrical isolation

Overvoltage category	II
Pollution degree	2

Electrical isolation Input/output IEC/EN 61010

Standards/regulations	IEC/EN 61010
Rated insulation voltage	50 V AC/DC
Test voltage	1.5 kV AC (50 Hz, 60 s)
Insulation	Basic insulation

Supply

Nominal supply voltage	24 V DC
Supply voltage range	9.6 V DC ... 30 V DC (The DIN rail connector (ME 6,2 TBUS-2 1,5/5-ST-3,81 GN, item no. 2869728) can be used to bridge the supply voltage. It can be snapped onto a 35 mm DIN rail in accordance with EN 60715)
Max. current consumption	< 25 mA (10 V output with 30 mA load at 24 V DC IN) < 65 mA (10 V output with 30 mA load at 9.6 V DC IN) < 50 mA (10 V voltage output with 30 mA load at 12 V DC IN)

MINI MCR-SL-CVS-24-5-10-NC - Constant voltage source



2902822

<https://www.phoenixcontact.com/us/products/2902822>

Power consumption	< 20 mA (10 V voltage output with 30 mA load at 30 V DC IN)
	< 600 mW (at 24 V IN)
	< 624 mW (at 9.6 V IN)
	< 564 mW (At 12 V IN)
	< 540 mW (at 30 V IN)

Input data

Signal: Voltage

Voltage input signal	9.6 V DC ... 30 V DC
----------------------	----------------------

Output data

Signal: Voltage

Configurable/programmable	Yes, preconfigured
Max. voltage output signal	10 V DC
	7.5 V DC
	5 V DC
	2.5 V DC
Short-circuit current	approx. 32 mA
Output current	≤ 30 mA
Ripple	< 20 mV _{PP}

Connection data

Connection method	Screw connection
Stripping length	12 mm
Screw thread	M3
Conductor cross-section rigid	0.2 mm ² ... 2.5 mm ²
Conductor cross-section flexible	0.2 mm ² ... 2.5 mm ²
Conductor cross-section AWG	26 ... 12

Dimensions

Dimensional drawing	
Width	6.2 mm
Height	93.1 mm
Depth	101.2 mm

Material specifications

Color	green (RAL 6021)
Housing material	PBT

MINI MCR-SL-CVS-24-5-10-NC - Constant voltage source



2902822

<https://www.phoenixcontact.com/us/products/2902822>

Fire protection for rail vehicles (DIN EN 45545-2) R22	HL 1 - HL 2
Fire protection for rail vehicles (DIN EN 45545-2) R23	HL 1 - HL 2
Fire protection for rail vehicles (DIN EN 45545-2) R24	HL 1 - HL 2

Environmental and real-life conditions

Ambient conditions

Degree of protection	IP20
Ambient temperature (operation)	-20 °C ... 65 °C
Ambient temperature (storage/transport)	-40 °C ... 85 °C
Altitude	≤ 2000 m
Permissible humidity (operation)	5 % ... 95 % (non-condensing)

Approvals

CE

Certificate	CE-compliant
-------------	--------------

UL, USA/Canada

Identification	UL 508 Listed
	Class I, Div. 2, Groups A, B, C, D T6
	Class I, Zone 2, Group IIC

EMC data

Electromagnetic compatibility	Conformance with EMC directive
Noise immunity	EN 61000-6-2
Note	When being exposed to interference, there may be minimal deviations.

Noise emission

Standards/regulations	EN 61000-6-4
-----------------------	--------------

Electrostatic discharge

Standards/regulations	EN 61000-4-2
-----------------------	--------------

Electrostatic discharge

Comments	Safety measures must be taken to prevent electrostatic discharge.
----------	---

Electromagnetic HF field

Designation	Electromagnetic RF field
Standards/regulations	EN 61000-4-3
Typical deviation from the measuring range final value	3 %

Electromagnetic HF field

Comments	Criterion A
----------	-------------

Fast transients (burst)

Designation	Fast transients (burst)
-------------	-------------------------

MINI MCR-SL-CVS-24-5-10-NC - Constant voltage source



2902822

<https://www.phoenixcontact.com/us/products/2902822>

Standards/regulations	EN 61000-4-4
Typical deviation from the measuring range final value	3 %

Fast transients (burst)

Comments	Criterion B
----------	-------------

Surge current load (surge)

Standards/regulations	EN 61000-4-5
-----------------------	--------------

Surge current load (surge)

Comments	Criterion B
----------	-------------

Conducted interference

Designation	Conducted interferences
Standards/regulations	EN 61000-4-6
Typical deviation from the measuring range final value	0.5 %

Conducted interference

Comments	Criterion A
----------	-------------

Standards and regulations

Electrical isolation	2-way isolation
----------------------	-----------------

Mounting

Mounting type	DIN rail mounting
Assembly note	The DIN rail connector can be used for bridging the supply voltage. It can be snapped onto a 35 mm EN 60715 DIN rail.
Mounting position	any

MINI MCR-SL-CVS-24-5-10-NC - Constant voltage source



2902822

<https://www.phoenixcontact.com/us/products/2902822>

Drawings



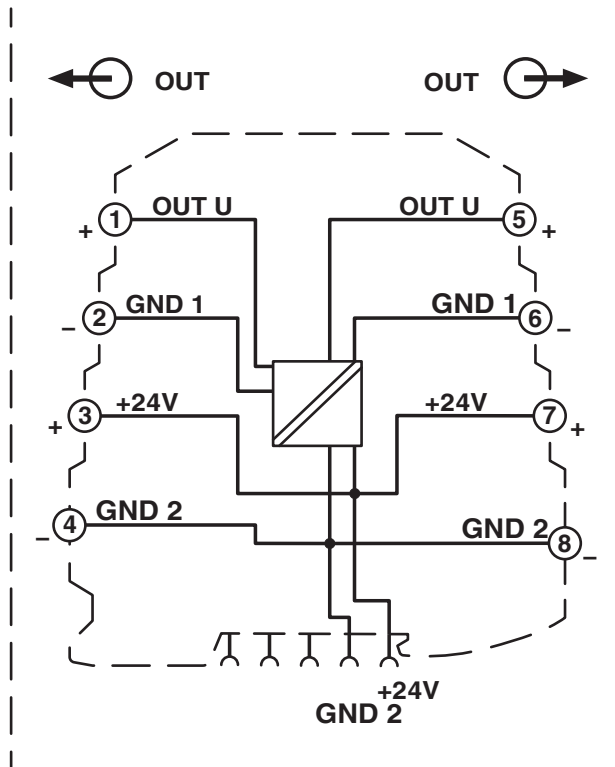
MINI MCR-SL-CVS-24-5-10-NC - Constant voltage source



2902822

<https://www.phoenixcontact.com/us/products/2902822>

Block diagram



MINI MCR-SL-CVS-24-5-10-NC - Constant voltage source




2902822

<https://www.phoenixcontact.com/us/products/2902822>


Approvals

To download certificates, visit the product detail page: <https://www.phoenixcontact.com/us/products/2902822>

 **UL Listed**
Approval ID: E238705

 **cUL Listed**
Approval ID: E238705

 **cUL Listed**
Approval ID: E199827

 **UL Listed**
Approval ID: FILE E 199827

MINI MCR-SL-CVS-24-5-10-NC - Constant voltage source



2902822

<https://www.phoenixcontact.com/us/products/2902822>

Classifications

ECLASS

ECLASS-13.0	27210192
ECLASS-15.0	27210192

ETIM

ETIM 10.0	EC002498
-----------	----------

UNSPSC

UNSPSC 21.0	39121000
-------------	----------

MINI MCR-SL-CVS-24-5-10-NC - Constant voltage source



2902822

<https://www.phoenixcontact.com/us/products/2902822>

Environmental product compliance

EU RoHS

Fulfills EU RoHS substance requirements	Yes
Exemption	6(c), 7(a), 7(c)-I

China RoHS

Environment friendly use period (EFUP)	EFUP-50
	An article-related China RoHS declaration table can be found in the download area for the respective article under "Manufacturer declaration". For all articles with EFUP-E, no China RoHS declaration table issued and required.

EU REACH SVHC

REACH candidate substance (CAS No.)	Lead(CAS: 7439-92-1)
SCIP	d592cdca-41a8-4f80-85c7-fff7473dbfaa

EF3.1 Climate Change

CO2e kg	1.187 kg CO2e
---------	---------------

Phoenix Contact 2026 © - all rights reserved
<https://www.phoenixcontact.com>

Phoenix Contact USA
586 Fulling Mill Road
Middletown, PA 17057, United States
(+717) 944-1300
info@phoenixcon.com