

# EM SWD-ADAPTER - Adapter



2902776

<https://www.phoenixcontact.com/us/products/2902776>

Please be informed that the data shown in this PDF document is generated from our online catalog. Please find the complete data in the user documentation. Our general terms of use for downloads are valid.



SmartWire DT™ adapter for CONTACTRON hybrid motor starters, with "Enable" input for safe shutdown up to PLe/SIL 3.

## Commercial data

Item number	2902776
Packing unit	1 pc
Note	Made to order (non-returnable)
Sales key	C470
Product key	DK7455
GTIN	4046356701037
Weight per piece (including packing)	114.68 g
Weight per piece (excluding packing)	114 g
Customs tariff number	85366990
Country of origin	DE

## Technical data

### Product properties

Product type	Adapter
Application	Connection to SmartWire-DT™
Operating mode	100% operating factor

### Insulation characteristics

Overvoltage category	III
Pollution degree	2

### Input data

Input name	Enable input
Rated actuating voltage $U_C$	24 V DC
Switching level "High"	> 19.2 V DC
Switching level "Low"	< 9.6 V DC
Switching level	dependent on the switching device
Rated actuating current $I_C$	5 mA

### Connection data

#### Enable input

Connection method	Push-in connection
Stripping length	10 mm
Number of connections	1
Number of positions	4
Conductor cross-section rigid	0.14 mm <sup>2</sup> ... 1 mm <sup>2</sup>
Conductor cross-section flexible	0.14 mm <sup>2</sup> ... 1 mm <sup>2</sup>
Conductor cross-section AWG	26 ... 18

#### SmartWire™-DT

Connection method	Pin strip
Number of connections	1
Number of positions	8
Note	For SmartWire-DT device plug SWD4-8SF2-5 PXC

### Interfaces

#### Data: SmartWire™-DT

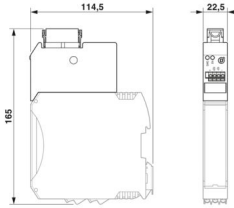
Data rate	125 kBd / 250 kBd
Connection method	Pin strip, 8-pos.
Current consumption $I_{AUX}$	120 mA
Current consumption $I_{POW}$	25 mA

### Dimensions

# EM SWD-ADAPTER - Adapter

2902776

<https://www.phoenixcontact.com/us/products/2902776>

Dimensional drawing	
Width	22.5 mm
Height	165 mm
Depth	114.5 mm

## Material specifications

Color	green (RAL 6021)
Housing material	PBT

## Environmental and real-life conditions

### Ambient conditions

Degree of protection	IP20
Ambient temperature (operation)	-25 °C ... 55 °C
Ambient temperature (storage/transport)	-40 °C ... 80 °C

## Standards and regulations

Standards/regulations	IEC 60947-1
	EN 60947-1

## Mounting

Assembly note	On CONTACTRON hybrid motor starter
Mounting position	any

# EM SWD-ADAPTER - Adapter

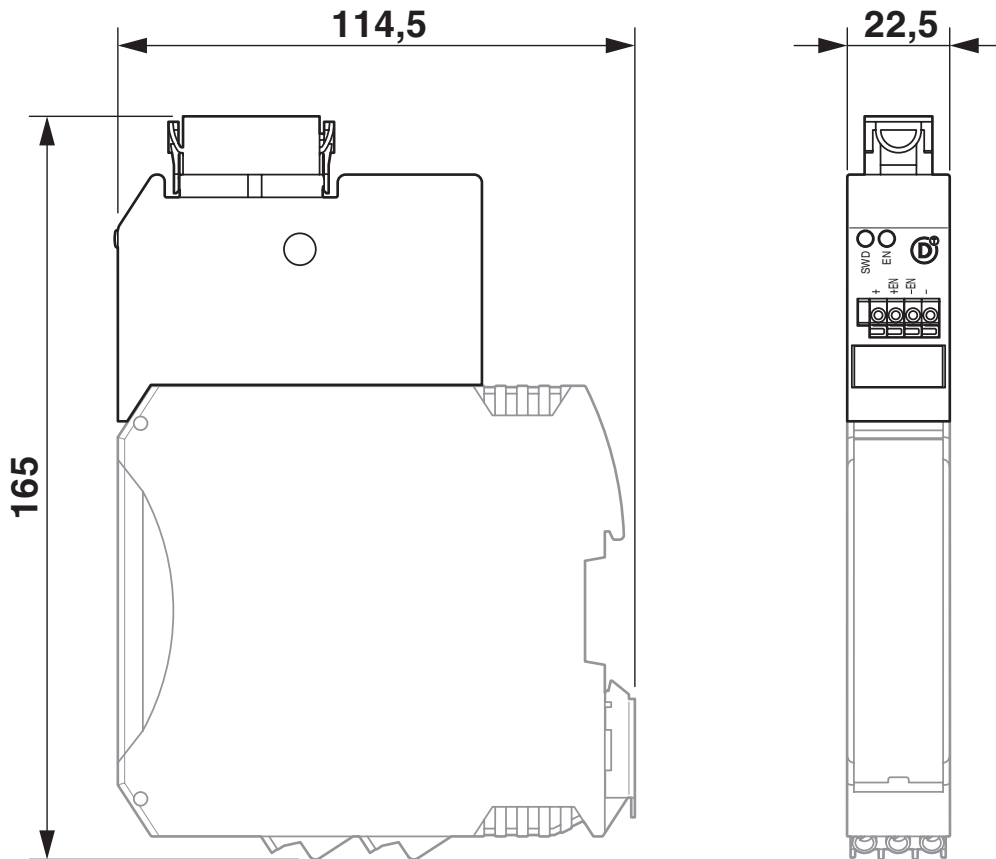
2902776

<https://www.phoenixcontact.com/us/products/2902776>



## Drawings

Dimensional drawing

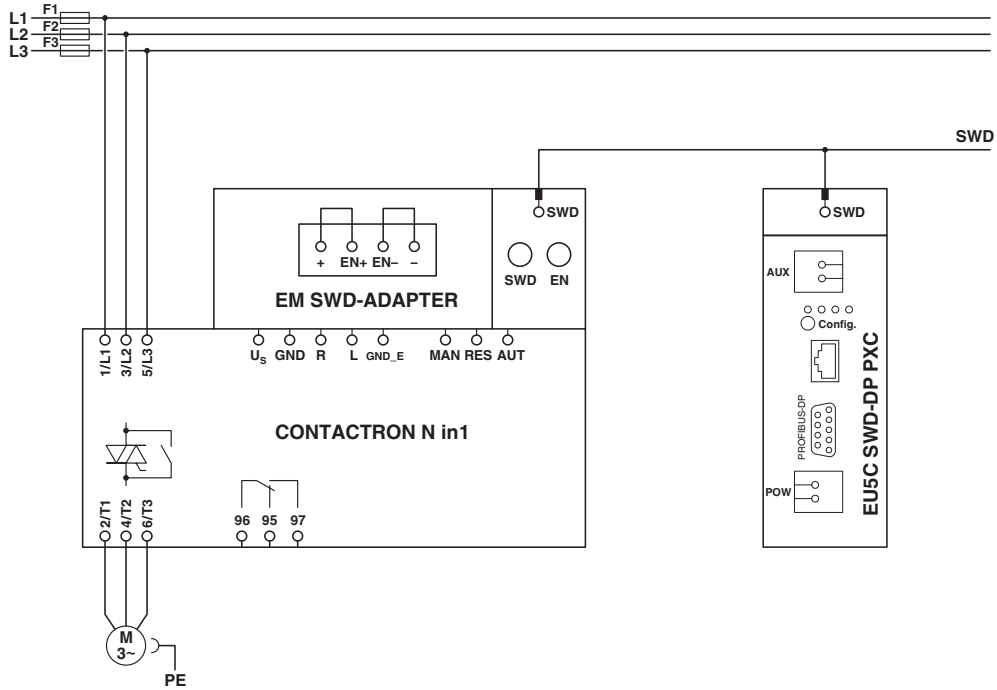


# EM SWD-ADAPTER - Adapter

2902776

<https://www.phoenixcontact.com/us/products/2902776>

Circuit diagram



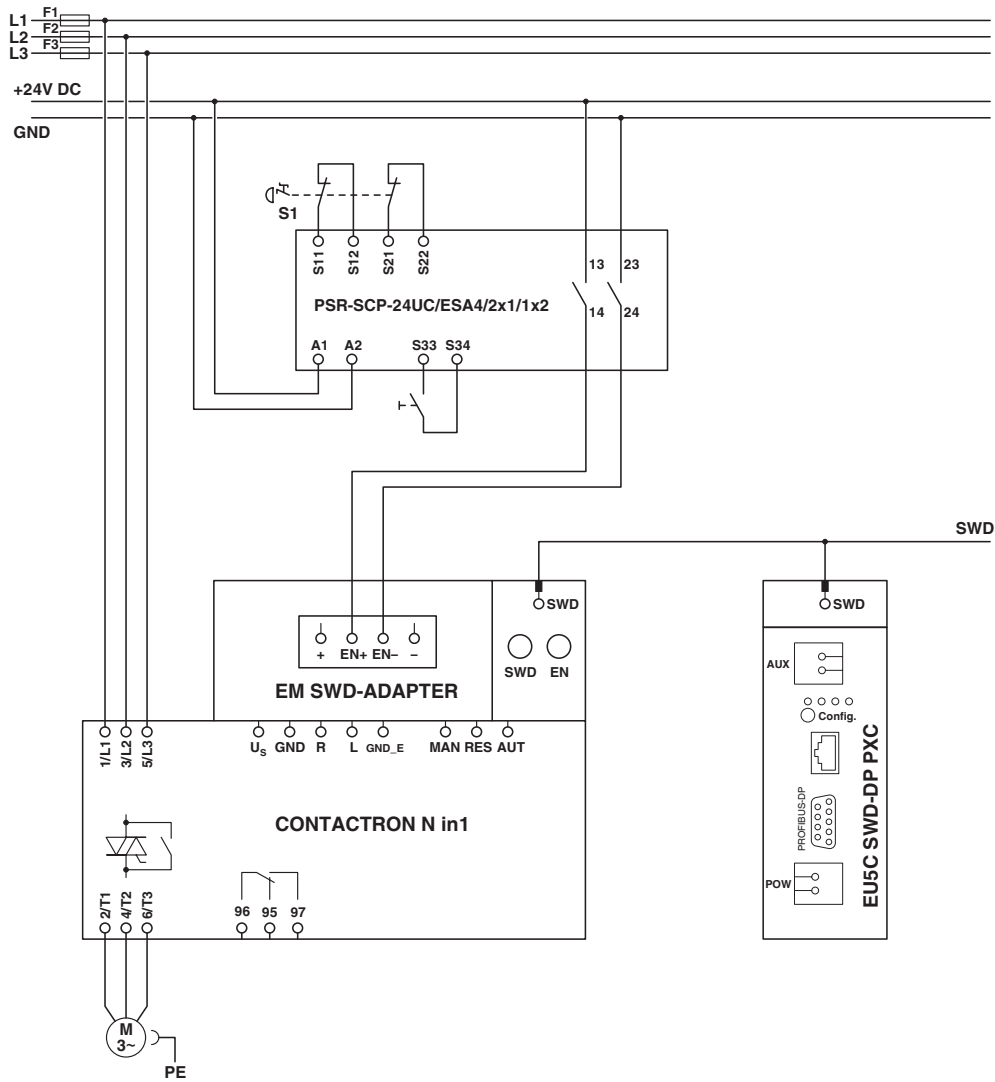
Wiring example without EMERGENCY STOP

# EM SWD-ADAPTER - Adapter

2902776

<https://www.phoenixcontact.com/us/products/2902776>

Circuit diagram



EMERGENCY STOP wiring example (two-channel)

# EM SWD-ADAPTER - Adapter

2902776

<https://www.phoenixcontact.com/us/products/2902776>



## Classifications

### UNSPSC

UNSPSC 21.0	39121100
-------------	----------

# EM SWD-ADAPTER - Adapter



2902776

<https://www.phoenixcontact.com/us/products/2902776>

## Environmental product compliance

### EU RoHS

Fulfills EU RoHS substance requirements	Yes
Exemption	7(a), 7(c)-I

### China RoHS

Environment friendly use period (EFUP)	EFUP-50
	An article-related China RoHS declaration table can be found in the download area for the respective article under "Manufacturer declaration". For all articles with EFUP-E, no China RoHS declaration table issued and required.

### EU REACH SVHC

REACH candidate substance (CAS No.)	Lead(CAS: 7439-92-1)
-------------------------------------	----------------------

Phoenix Contact 2026 © - all rights reserved  
<https://www.phoenixcontact.com>

Phoenix Contact USA  
586 Fulling Mill Road  
Middletown, PA 17057, United States  
(+717) 944-1300  
[info@phoenixcon.com](mailto:info@phoenixcon.com)