

# TC DSL ROUTER X500 A/B - Router



2902710

<https://www.phoenixcontact.com/us/products/2902710>

Please be informed that the data shown in this PDF document is generated from our online catalog. Please find the complete data in the user documentation. Our general terms of use for downloads are valid.



Industrial ADSL broadband router/modem with RS-232, integrated firewall, NAT and VPN support (IPsec, OpenVPN). The device supports the standards Annex A, B, and J (ALL-IP connections of Deutsche Telekom). Annex J as of firmware v1.05.4

## Your advantages

- Annex A/Annex B switchover via web-based management
- DynDNS
- Alarm inputs and switching outputs
- NAT table
- 10/100 Mbps automatic detection
- Configuration via web-based management
- Up to 3 VPN tunnels simultaneously
- Authentication with X.509 certificates
- Firewall
- IPsec and OpenVPN
- Switchover between DSL router (default) and DSL modem
- Can be used worldwide
- High electromagnetic compatibility

## Commercial data

Item number	2902710
Packing unit	1 pc
Minimum order quantity	1 pc
Product key	DNC432
GTIN	4046356680981
Weight per piece (including packing)	326.2 g
Weight per piece (excluding packing)	326.2 g
Country of origin	DE

## Technical data

### Product properties

Product type	Modem
MTTF	563 Years (SN 29500 standard, temperature 25°C, operating cycle 21%)
	278 Years (SN 29500 standard, temperature 40°C, operating cycle 34.25%)
	46 Years (SN 29500 standard, temperature 40°C, operating cycle 100%)

### Security functions

1:1 Network Address Translation (NAT) in the VPN	supported
Number of VPN tunnels	3
Firewall rules	Stateful inspection firewall

### Electrical properties

Electrical isolation	VCC + IO + RS-232//ADSL//Ethernet//FE
Maximum power dissipation for nominal condition	3 W
Mains type	Fixed-line network
Test voltage data interface/data interface	1.5 kV <sub>rms</sub> (50 Hz, 1 min.)
Test voltage data interface/power supply	1.5 kV <sub>rms</sub> (50 Hz, 1 min.)

### Supply

Supply voltage range	10 V DC ... 30 V DC (via pluggable COMBICON screw terminal block)
Typical current consumption	< 150 mA (24 V DC)
	< 135 mA (stand by)
Max. current consumption	< 300 mA (10 V DC)

### Function

Management	Web-based management
------------	----------------------

### Input data

#### Digital

Description of the input	Digital input
Number of inputs	6
Voltage input signal	10 V DC ... 30 V DC
Current input signal	5 mA

### Output data

#### Signal

Output name	Digital output
Number of outputs	4
Voltage output signal	10 V DC ... 30 V DC (depending on the operating voltage)

# TC DSL ROUTER X500 A/B - Router



2902710

<https://www.phoenixcontact.com/us/products/2902710>

Current output signal	≤ 50 mA (Short-circuit-proof)
-----------------------	-------------------------------

## Connection data

### Supply

Tightening torque	0.56 Nm ... 0.79 Nm
-------------------	---------------------

## Interfaces

Signal	Ethernet
Web server	yes

Data: ADSL interface, according to ITU-T G.992.1, G.992.3, G.992.5/Annex A, Annex B, Annex J

Data rate	≤ 25 Mbps (Annex A/B, downstream from Internet)
	≤ 1 Mbps (Annex A/B, upstream to Internet)
	≤ 25 Mbps (Annex J, downstream from Internet)
	≤ 2.4 Mbps (Annex J, upstream to Internet)
Connection method	6P2C RJ11 socket, shielded
	COMBICON plug-in screw terminal block
Transmission length	≤ 5 km
Ringer Equivalence Number	0.3 (B)

Data: Ethernet interface, 10/100Base-T(X) in accordance with IEEE 802.3

Serial transmission speed	10/100 Mbps, auto negotiation
Connection method	8P8C RJ45 jack, shielded
No. of channels	1
Transmission length	≤ 100 m (shielded twisted pair)
Protocols supported	TCP/IP, UDP/IP, FTP, HTTP
Auxiliary protocols	ARP, DHCP, PING (ICMP), SNMP V1, SMTP

Data: V.24 (RS-232) interface in acc. with ITU-T V.28, EIA/TIA-232, DIN 66259-1

Serial transmission speed	0.3; 1.2; 2.4; 4.8; 9.6; 19.2; 38.4; 57.6; 115.2 kbps
Connection method	D-SUB 9 plug
Pin assignment	DTE/DCE switchover via web-based management
Transmission length	15 m
File format/coding	UART/NRZ: 7/8 Bit Data, 1/2 Bit Stopp, None/Even/Odd Parity
Data flow control/protocols	Software handshake, Xon/Xoff or hardware handshake RTS/CTS

## Dimensions

Width	45 mm
Height	99 mm
Depth	112 mm

## Material specifications

Color (Housing)	green (RAL 6021)
Material (Housing)	PA 6.6-FR

## Environmental and real-life conditions

# TC DSL ROUTER X500 A/B - Router



2902710

<https://www.phoenixcontact.com/us/products/2902710>

## Ambient conditions

Degree of protection	IP20
Ambient temperature (operation)	-20 °C ... 60 °C
Ambient temperature (storage/transport)	-40 °C ... 75 °C
Altitude	≤ 5000 m (For restrictions, see the manufacturer's declaration for altitude operation)
Permissible humidity (operation)	30 % ... 95 % (non-condensing)
Permissible humidity (storage/transport)	30 % ... 95 % (non-condensing)

## Approvals

### CE

Certificate	CE-compliant
-------------	--------------

### Corrosive gas test

Identification	ISA-S71.04-1985 G3 Harsh Group A
----------------	----------------------------------

## EMC data

Electromagnetic compatibility	Conformance with EMC Directive 2014/30/EU
-------------------------------	---

## Mounting

Mounting type	DIN rail mounting
---------------	-------------------

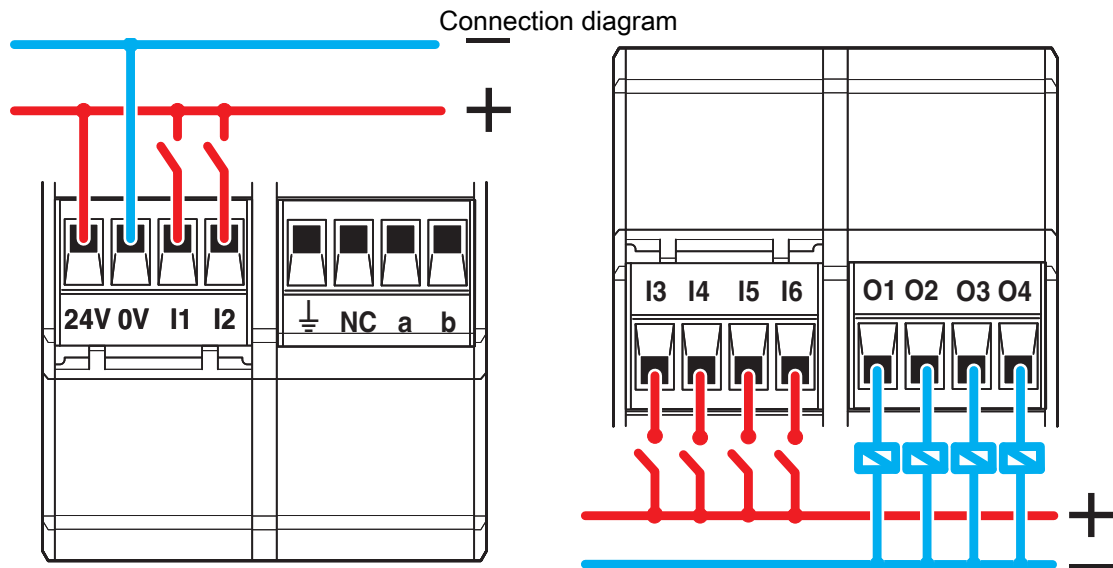
# TC DSL ROUTER X500 A/B - Router

2902710

<https://www.phoenixcontact.com/us/products/2902710>



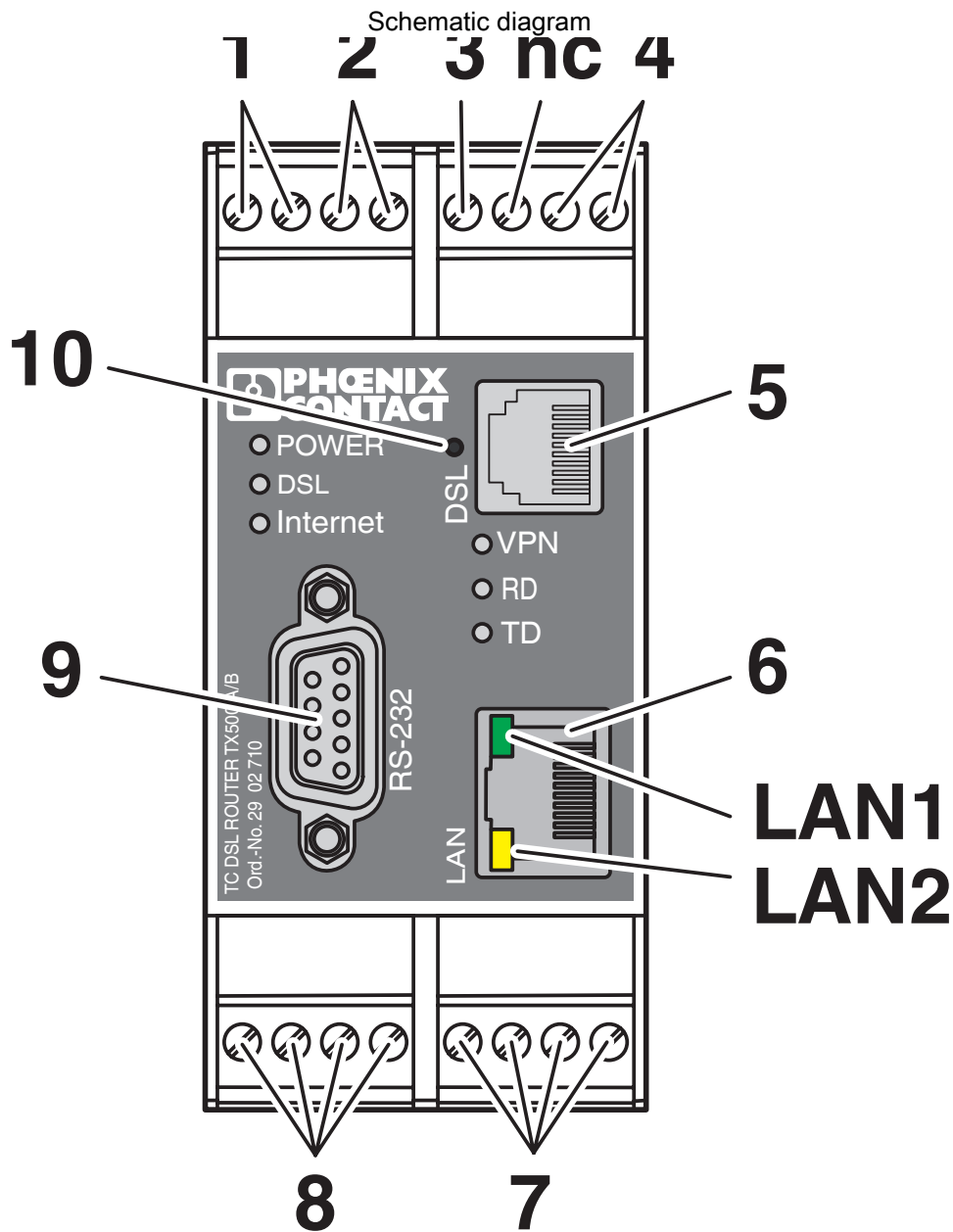
## Drawings



# TC DSL ROUTER X500 A/B - Router

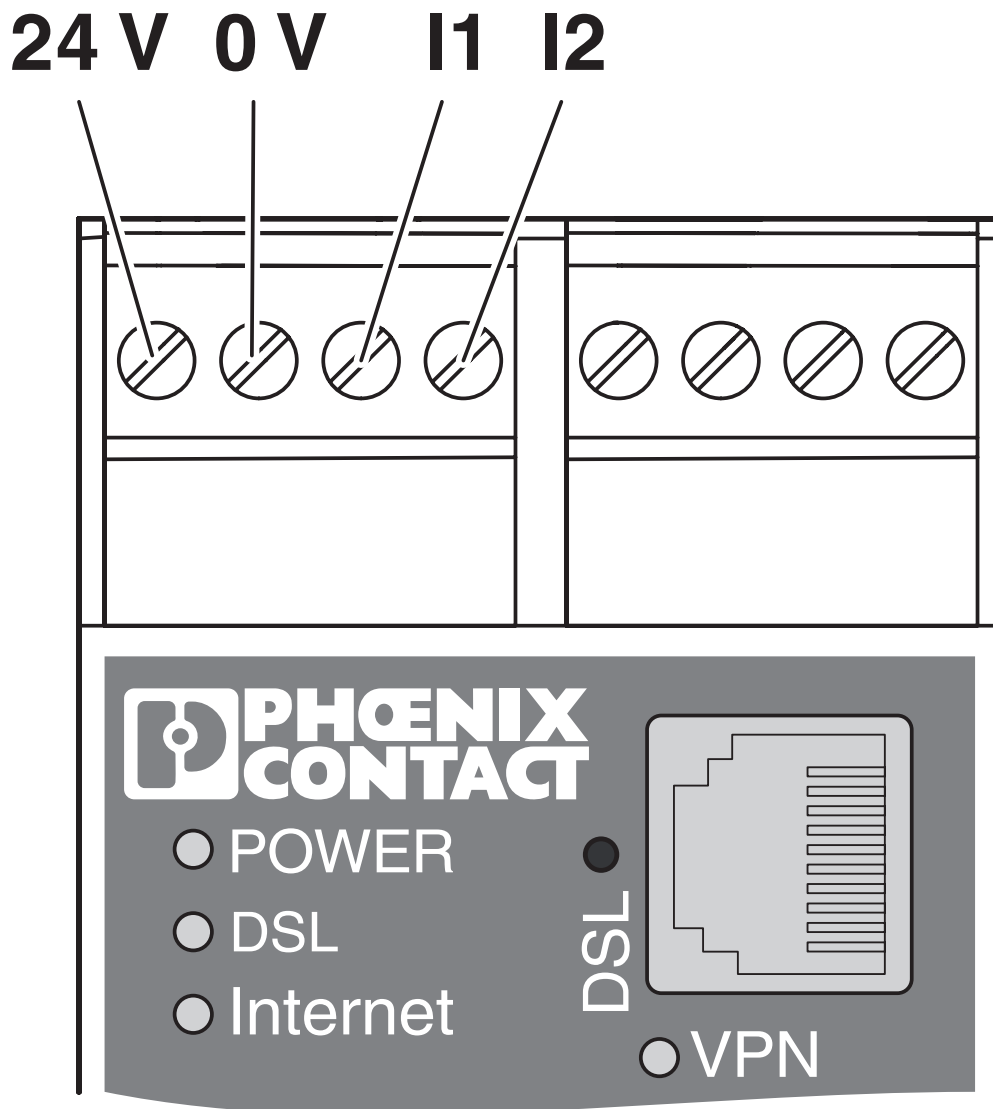
2902710

<https://www.phoenixcontact.com/us/products/2902710>



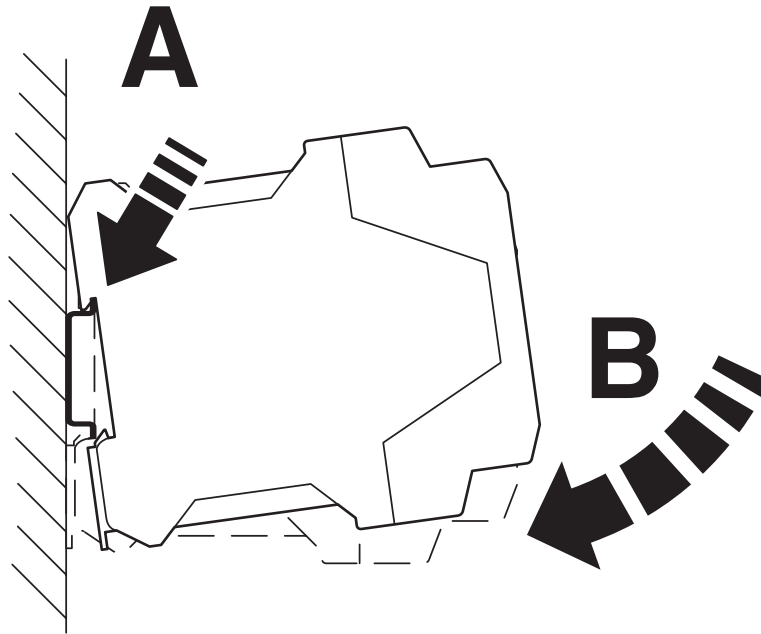
Front view

Schematic diagram



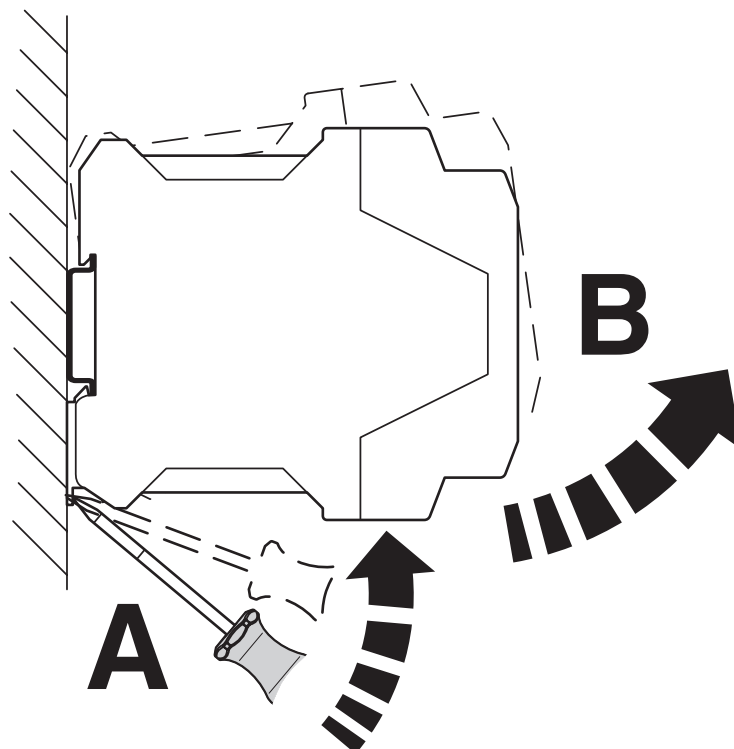
Device connections

Schematic diagram



Mounting

Schematic diagram



Removal

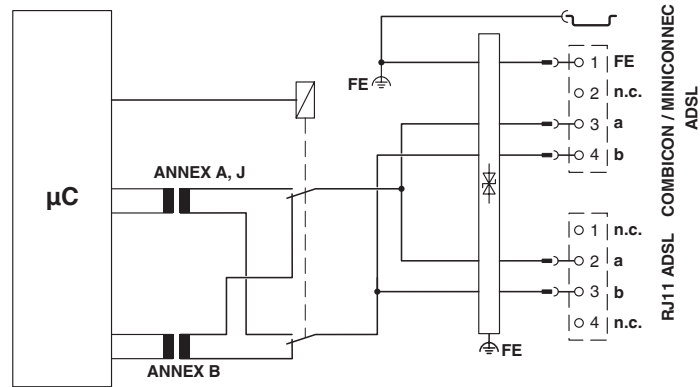
# TC DSL ROUTER X500 A/B - Router

2902710

<https://www.phoenixcontact.com/us/products/2902710>



Circuit diagram



# TC DSL ROUTER X500 A/B - Router

2902710

<https://www.phoenixcontact.com/us/products/2902710>



## Classifications

### UNSPSC

UNSPSC 21.0	43201553
-------------	----------

# TC DSL ROUTER X500 A/B - Router



2902710

<https://www.phoenixcontact.com/us/products/2902710>

## Environmental product compliance

### China RoHS

Environment friendly use period (EFUP)	EFUP-50
	An article-related China RoHS declaration table can be found in the download area for the respective article under "Manufacturer declaration". For all articles with EFUP-E, no China RoHS declaration table issued and required.

### EU REACH SVHC

REACH candidate substance (CAS No.)	No substance above 0.1 wt%
-------------------------------------	----------------------------

Phoenix Contact 2026 © - all rights reserved  
<https://www.phoenixcontact.com>

Phoenix Contact USA  
586 Fulling Mill Road  
Middletown, PA 17057, United States  
(+717) 944-1300  
[info@phoenixcon.com](mailto:info@phoenixcon.com)