

TC DSL ROUTER X400 A/B - Router



2902709

<https://www.phoenixcontact.com/us/products/2902709>

Please be informed that the data shown in this PDF document is generated from our online catalog. Please find the complete data in the user documentation. Our general terms of use for downloads are valid.



Industrial ADSL broadband router/modem with integrated firewall and NAT function. The device supports the standards Annex A, B, and J (ALL-IP connections of Deutsche Telekom). Annex J as of firmware v1.05.4

Your advantages

- DynDNS
- 10/100 Mbps automatic detection
- Annex A/Annex B switchover via web-based management
- NAT table
- Configuration via web-based management
- Firewall
- High electromagnetic compatibility
- Can be used worldwide
- Switchover between DSL router and DSL modem (default)

Commercial data

Item number	2902709
Packing unit	1 pc
Note	Made to order (non-returnable)
Sales key	NULL
Product key	DNC432
GTIN	4046356679909
Weight per piece (including packing)	294.9 g
Weight per piece (excluding packing)	294.9 g
Customs tariff number	85176200
Country of origin	DE

TC DSL ROUTER X400 A/B - Router



2902709

<https://www.phoenixcontact.com/us/products/2902709>

Technical data

Product properties

Product type	Modem
MTTF	699 Years (SN 29500 standard, temperature 25°C, operating cycle 21%)
	379 Years (SN 29500 standard, temperature 40°C, operating cycle 34.25%)
	64 Years (SN 29500 standard, temperature 40°C, operating cycle 100%)

Security functions

1:1 Network Address Translation (NAT) in the VPN	supported
Firewall rules	Stateful inspection firewall

Electrical properties

Electrical isolation	VCC//ADSL//Ethernet//FE
Maximum power dissipation for nominal condition	3 W
Mains type	Fixed-line network
Test voltage data interface/data interface	1.5 kV _{rms} (50 Hz, 1 min.)
Test voltage data interface/power supply	1.5 kV _{rms} (50 Hz, 1 min.)

Supply

Supply voltage range	10 V DC ... 30 V DC (via pluggable COMBICON screw terminal block)
Typical current consumption	< 150 mA (24 V DC)
	< 135 mA (stand by)
Max. current consumption	< 300 mA (10 V DC)

Function

Management	Web-based management
------------	----------------------

Connection data

Supply

Tightening torque	0.56 Nm ... 0.79 Nm
-------------------	---------------------

Interfaces

Signal	Ethernet
Web server	yes

Data: ADSL interface, according to ITU-T G.992.1, G.992.3, G.992.5/Annex A, Annex B, Annex J

Data rate	≤ 25 Mbps (Annex A/B, downstream from Internet)
	≤ 1 Mbps (Annex A/B, upstream to Internet)
	≤ 25 Mbps (Annex J, downstream from Internet)
	≤ 2.4 Mbps (Annex J, upstream to Internet)
Connection method	6P2C RJ11 socket, shielded

TC DSL ROUTER X400 A/B - Router



2902709

<https://www.phoenixcontact.com/us/products/2902709>

	COMBICON plug-in screw terminal block
Transmission length	≤ 5 km
Ringer Equivalence Number	0.3 (B)

Data: Ethernet interface, 10/100Base-T(X) in accordance with IEEE 802.3

Serial transmission speed	10/100 Mbps, auto negotiation
Connection method	8P8C RJ45 jack, shielded
No. of channels	1
Transmission length	≤ 100 m (shielded twisted pair)
Protocols supported	TCP/IP, UDP/IP, FTP, HTTP
Auxiliary protocols	ARP, DHCP, PING (ICMP), SNMP V1, SMTP

Dimensions

Width	45 mm
Height	99 mm
Depth	112 mm

Material specifications

Color (Housing)	green (RAL 6021)
Material (Housing)	PA 6.6-FR

Environmental and real-life conditions

Ambient conditions

Degree of protection	IP20
Ambient temperature (operation)	-20 °C ... 60 °C
Ambient temperature (storage/transport)	-40 °C ... 75 °C
Altitude	≤ 5000 m (For restrictions, see the manufacturer's declaration for altitude operation)
Permissible humidity (operation)	30 % ... 95 % (non-condensing)
Permissible humidity (storage/transport)	30 % ... 95 % (non-condensing)

Approvals

CE

Certificate	CE-compliant
-------------	--------------

Corrosive gas test

Identification	ISA-S71.04-1985 G3 Harsh Group A
----------------	----------------------------------

EMC data

Electromagnetic compatibility	Conformance with EMC Directive 2014/30/EU
-------------------------------	---

Mounting

Mounting type	DIN rail mounting
---------------	-------------------

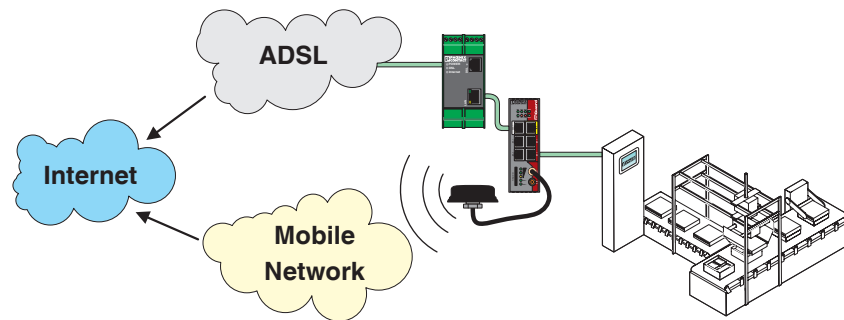
TC DSL ROUTER X400 A/B - Router

2902709

<https://www.phoenixcontact.com/us/products/2902709>

Drawings

Application drawing



Redundant Internet connection via ADSL and the mobile network

TC DSL ROUTER X400 A/B - Router

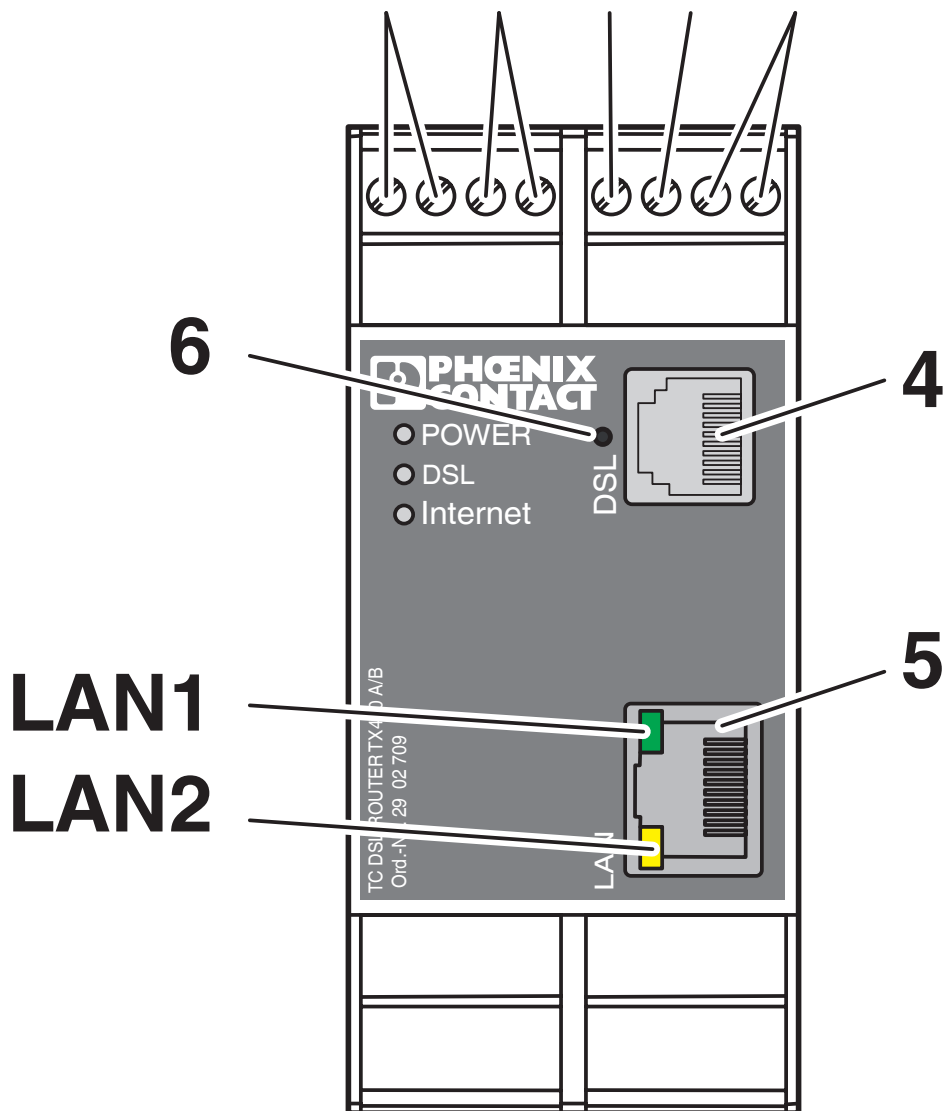
2902709

<https://www.phoenixcontact.com/us/products/2902709>



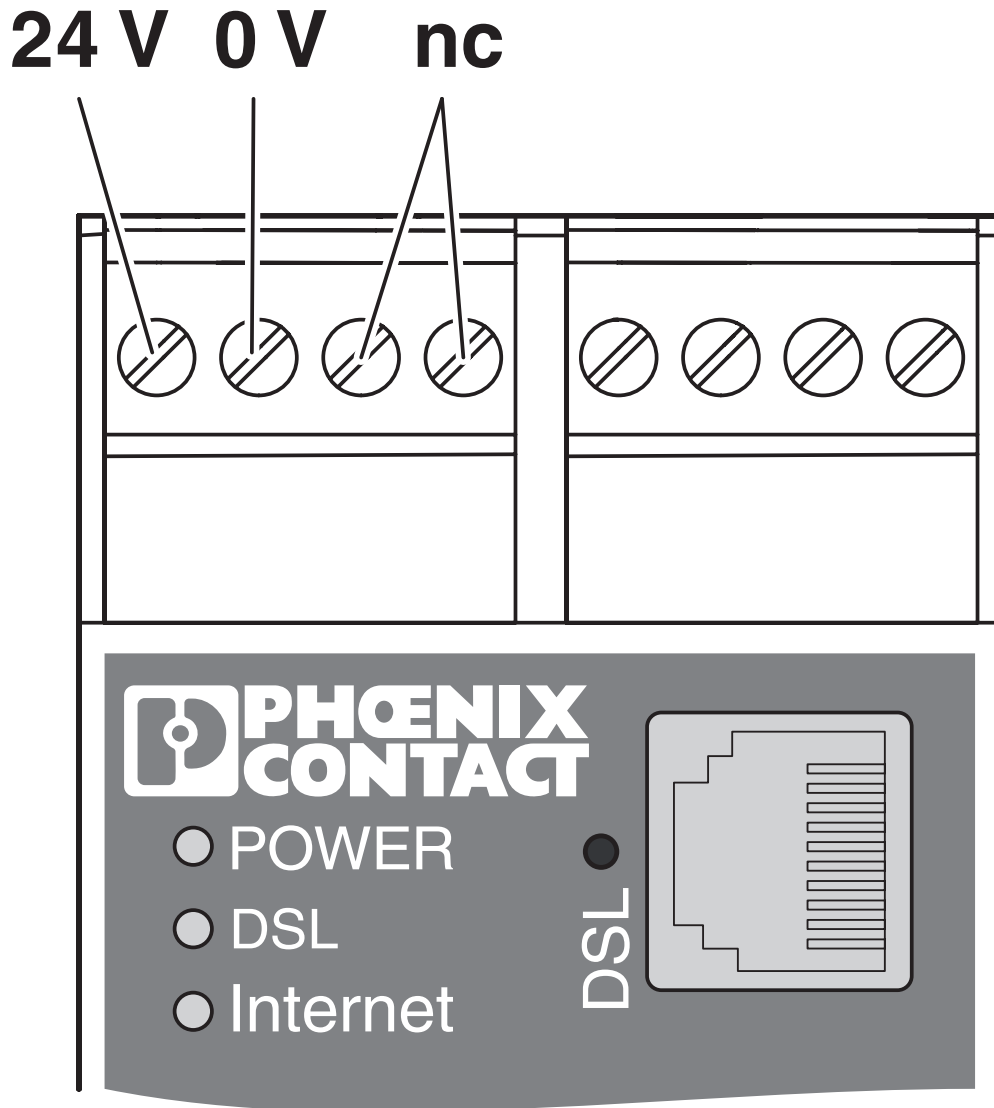
Schematic diagram

1 nc 2 nc 3



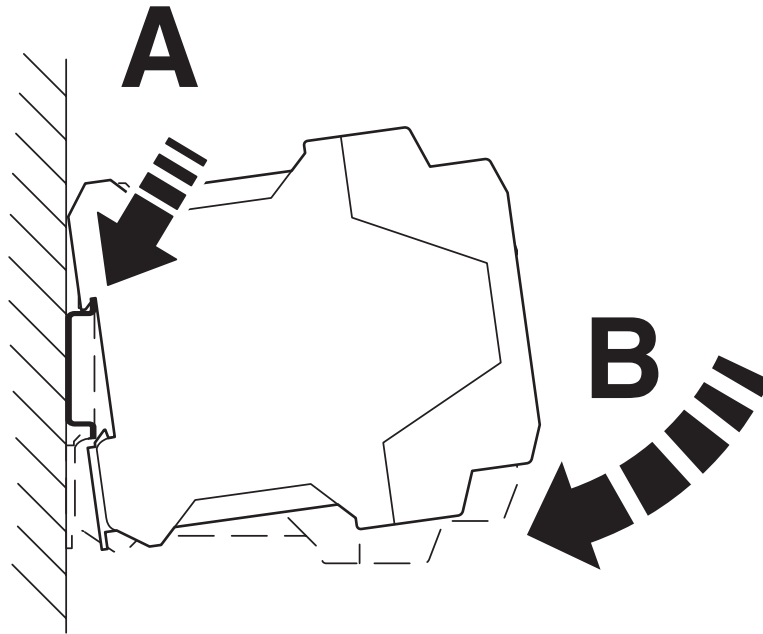
Front view

Schematic diagram



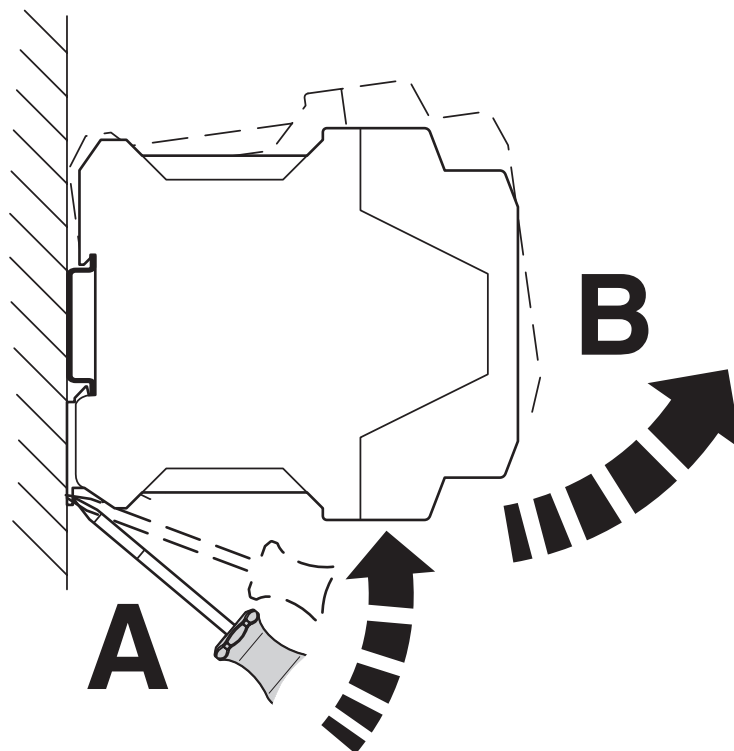
Device connections

Schematic diagram



Mounting

Schematic diagram



Removal

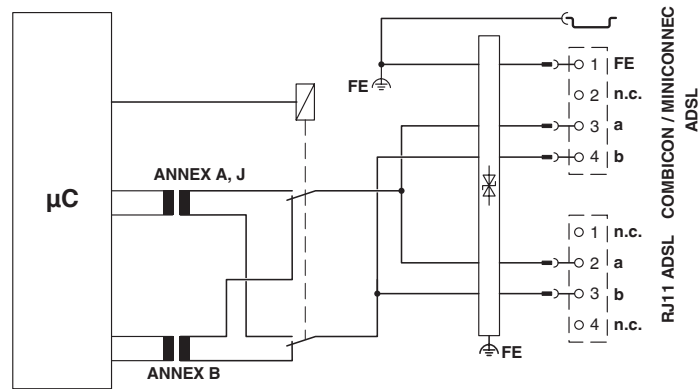
TC DSL ROUTER X400 A/B - Router

2902709

<https://www.phoenixcontact.com/us/products/2902709>



Circuit diagram



TC DSL ROUTER X400 A/B - Router

2902709

<https://www.phoenixcontact.com/us/products/2902709>



Classifications

UNSPSC

UNSPSC 21.0	43222628
-------------	----------

TC DSL ROUTER X400 A/B - Router



2902709

<https://www.phoenixcontact.com/us/products/2902709>

Environmental product compliance

China RoHS

Environment friendly use period (EFUP)	EFUP-50
	An article-related China RoHS declaration table can be found in the download area for the respective article under "Manufacturer declaration". For all articles with EFUP-E, no China RoHS declaration table issued and required.

EU REACH SVHC

REACH candidate substance (CAS No.)	No substance above 0.1 wt%
-------------------------------------	----------------------------

Phoenix Contact 2026 © - all rights reserved
<https://www.phoenixcontact.com>

Phoenix Contact USA
586 Fulling Mill Road
Middletown, PA 17057, United States
(+717) 944-1300
info@phoenixcon.com