

FL MC EF WDM-SET SC - FO converters



2902660

<https://www.phoenixcontact.com/us/products/2902660>

Please be informed that the data shown in this PDF document is generated from our online catalog. Please find the complete data in the user documentation. Our general terms of use for downloads are valid.



FO converter set, consisting of type A devices and type B devices, for full duplex transmission from 10/100Base-T(X) to individual simplex fiberglass with WDM (wavelength division multiplex) technology. SC simplex fiber optic connection (1550/1310 nm).

Product description

Optical transmission with FO technology provides superior immunity to interference at maximum transmission ranges without restricting the transmission bandwidth.

Your advantages

- Device set for operation on one fiber
- Full duplex communication with only one fiber
- Transmission ranges up to 38 km
- Auto negotiation
- Auto MDI/MDI-X switch-over
- Link fault pass through (LFPT) and far end fault (FEF) functions for easy connection monitoring
- 10/100 Mbps
- Shipbuilding approval in accordance with DNV GL

Commercial data

Item number	2902660
Packing unit	1 pc
Minimum order quantity	1 pc
Sales key	DN06
Product key	DNC311
GTIN	4046356670616
Weight per piece (including packing)	393.7 g
Weight per piece (excluding packing)	434 g
Customs tariff number	85176200
Country of origin	US

FL MC EF WDM-SET SC - FO converters



2902660

<https://www.phoenixcontact.com/us/products/2902660>

Set consists of

FL MC EF WDM-A SC - FO converters

2902658

<https://www.phoenixcontact.com/us/products/2902658>



FO converter (replacement device A), for full duplex transmission from 10/100Base-T(X) to individual simplex fiberglass with WDM (wavelength division multiplex) technology, SC simplex fiber optic connection (1310/1550 nm). Device set (type A and type B) required for operation.

FL MC EF WDM-B SC - FO converters

2902659

<https://www.phoenixcontact.com/us/products/2902659>



FO converter (replacement device B), for full duplex transmission from 10/100Base-T(X) to individual simplex fiberglass with WDM (wavelength division multiplex) technology, SC simplex fiber optic connection (1550/1310 nm). Device set (type A and type B) required for operation.

Technical data

Notes

Utilization restriction

CCCex note	Use in potentially explosive areas is not permitted in China.
------------	---

Product properties

Product type	Media converter
--------------	-----------------

Interfaces

Signal	Ethernet
--------	----------

Data: optical FO

Transmission length incl. 3 dB system reserve	38 km (F-E 9/125 0.36 dB/km)
	34 km (F-E 9/125 0.4 dB/km)
	28 km (F-E 9/125 0.5 dB/km)
	21 km (F-G 62.5/125 0.7 dB/km F 1000)
	5.5 km (F-G 62.5/125 2.6 dB/km F 600)
	21 km (F-G 50/125 0.7 dB/km F 1200)
	9 km (F-G 50/125 1.6 dB/km F 800)
Connection method	SC simplex
Wavelength	1550 nm
	1310 nm
Transmission medium	Multi-mode fiberglass
	Single-mode fiberglass

Data

Transmission medium	Copper
---------------------	--------

Material specifications

Color (Housing)	green (RAL 6021)
-----------------	------------------

Environmental and real-life conditions

Ambient conditions

Ambient temperature (operation)	-40 °C ... 65 °C
Altitude	≤ 5000 m (For restrictions, see the manufacturer's declaration for altitude operation)
	≤ 2000 m (in acc. with UL)

Approvals

Corrosive gas test

Identification	ISA-S71.04-1985 G3 Harsh Group A
----------------	----------------------------------

Shipbuilding

FL MC EF WDM-SET SC - FO converters



2902660

<https://www.phoenixcontact.com/us/products/2902660>

Identification	DNV GL
----------------	--------

Shipbuilding data

Temperature	B
Humidity	A
Vibration	A
EMC	B
Enclosure	Required protection according to the Rules shall be provided upon installation on board

Mounting

Mounting type	DIN rail mounting
---------------	-------------------

FL MC EF WDM-SET SC - FO converters

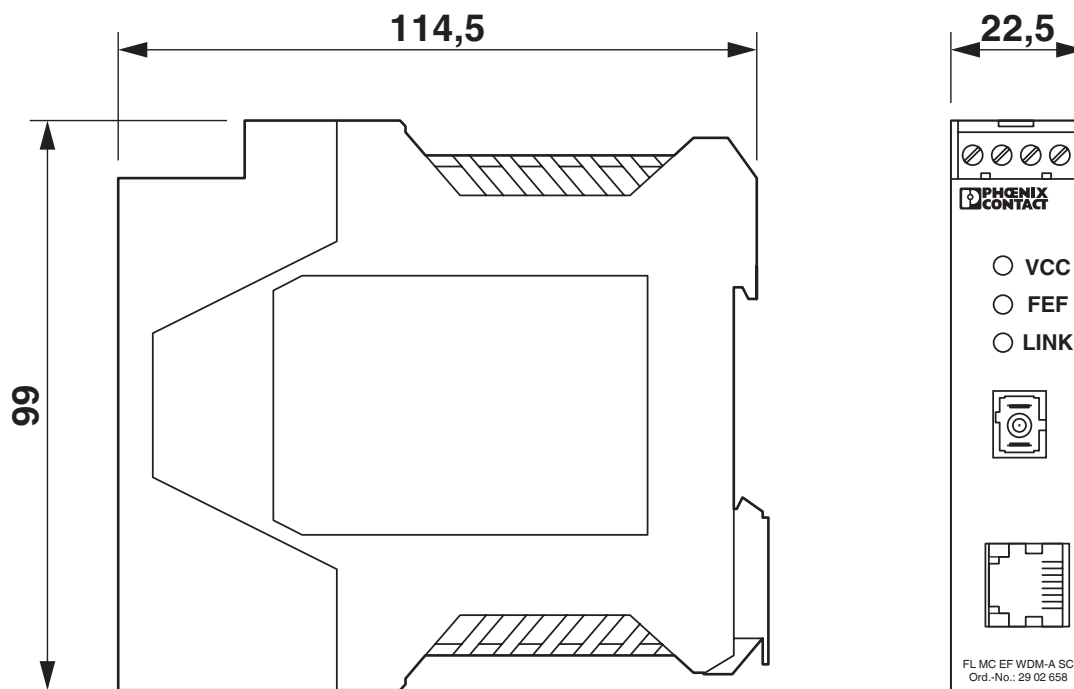


2902660

<https://www.phoenixcontact.com/us/products/2902660>

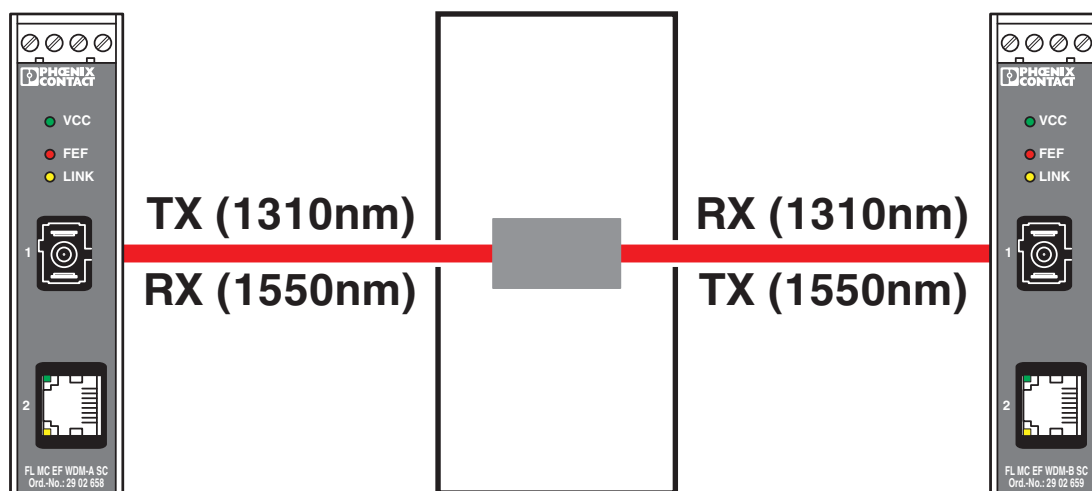
Drawings

Dimensional drawing



Slim design

Application drawing



Slip ring communication

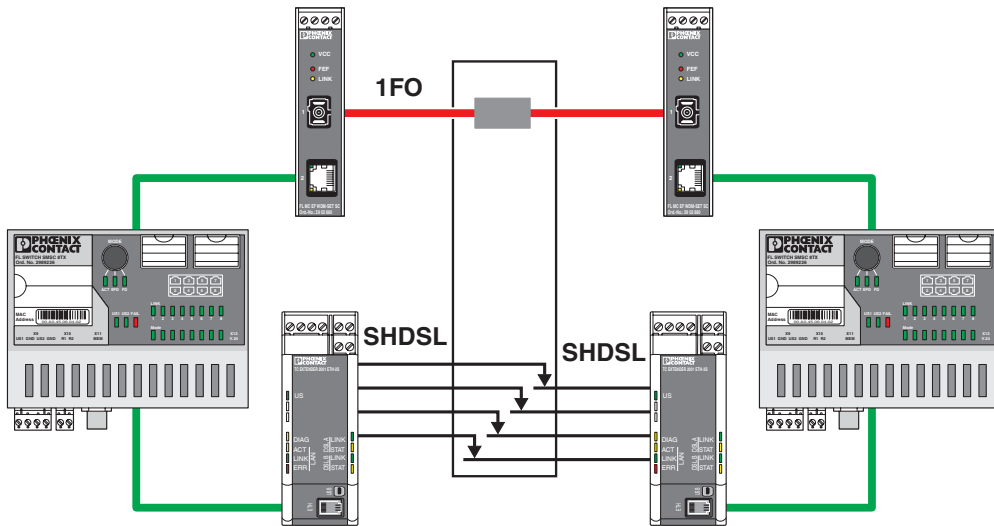
FL MC EF WDM-SET SC - FO converters



2902660

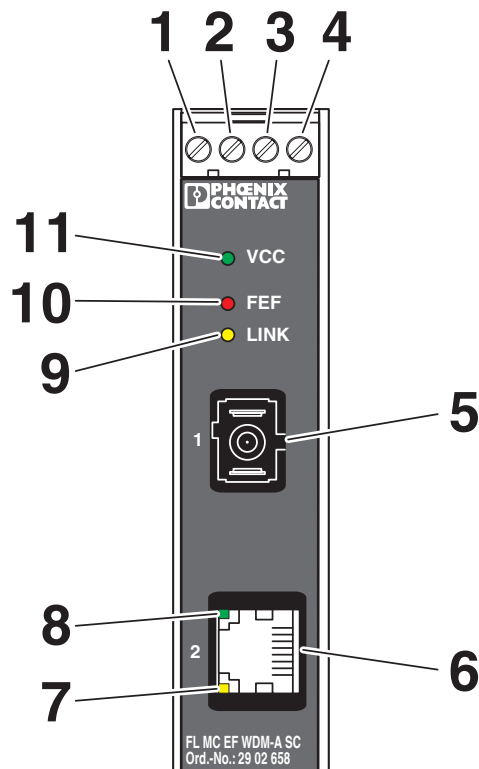
<https://www.phoenixcontact.com/us/products/2902660>

Application drawing



Redundant slip ring communication

Schematic diagram



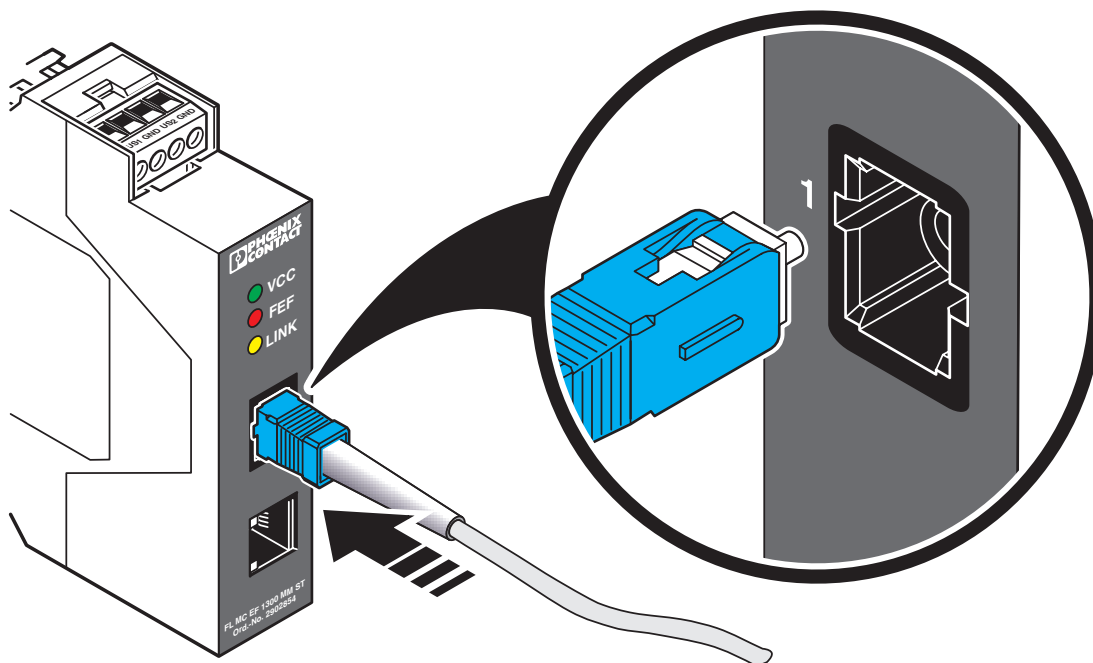
Front view

FL MC EF WDM-SET SC - FO converters

2902660

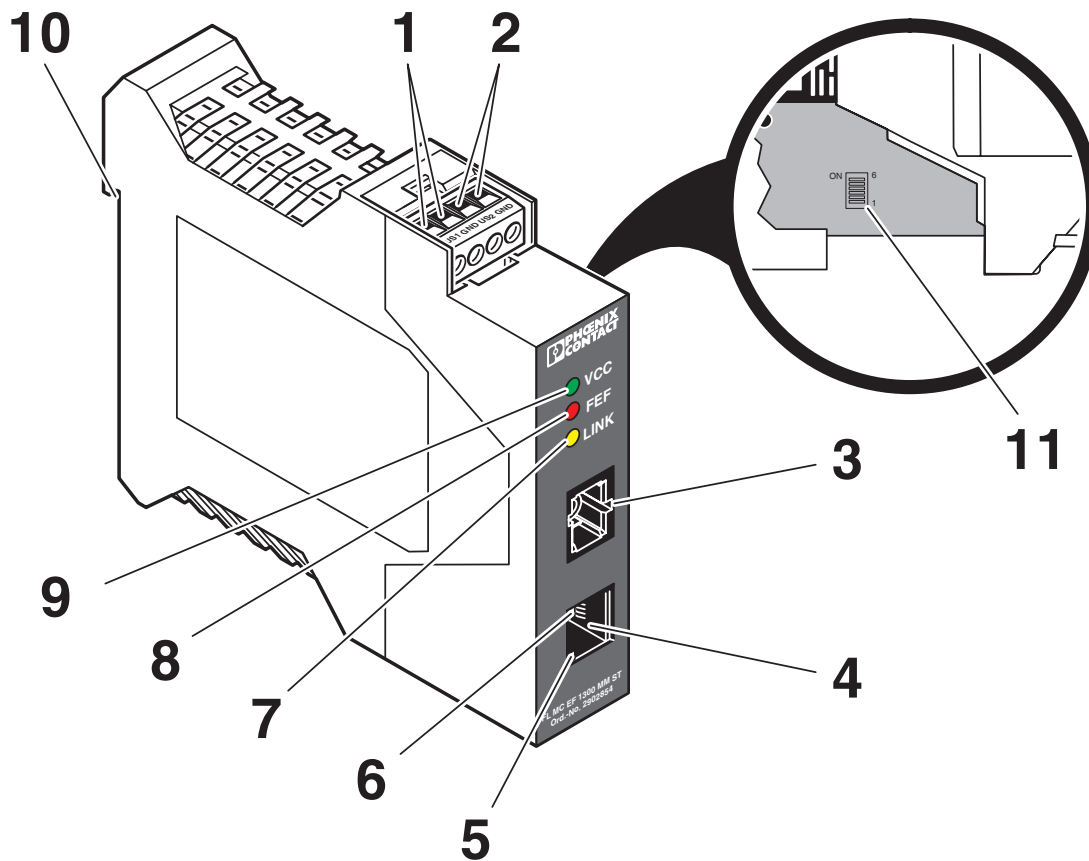
<https://www.phoenixcontact.com/us/products/2902660>

Schematic diagram



Connect SC simplex plug

Schematic diagram



Function elements

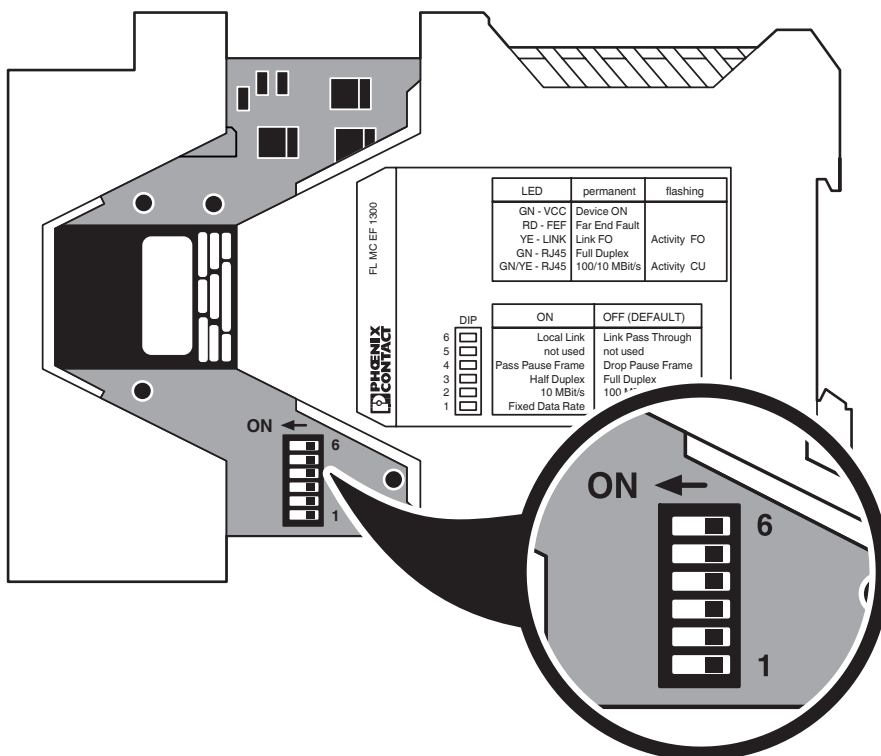
FL MC EF WDM-SET SC - FO converters



2902660

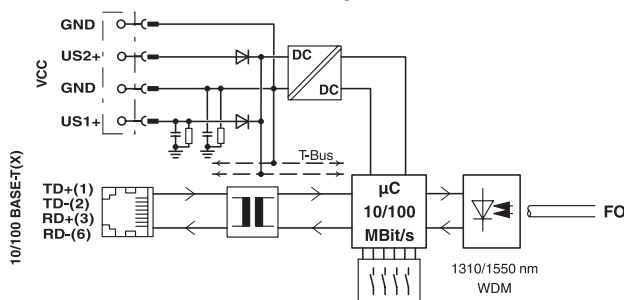
<https://www.phoenixcontact.com/us/products/2902660>

Schematic diagram



DIP switches

Block diagram



Basic circuit diagram

FL MC EF WDM-SET SC - FO converters



2902660

<https://www.phoenixcontact.com/us/products/2902660>

Approvals

To download certificates, visit the product detail page: <https://www.phoenixcontact.com/us/products/2902660>



DNV GL

Approval ID: TAA00001KR

FL MC EF WDM-SET SC - FO converters



2902660

<https://www.phoenixcontact.com/us/products/2902660>

Classifications

ECLASS

ECLASS-13.0	19170411
ECLASS-15.0	19170411

ETIM

ETIM 10.0	EC001467
-----------	----------

UNSPSC

UNSPSC 21.0	43201500
-------------	----------

2902660

<https://www.phoenixcontact.com/us/products/2902660>

Environmental product compliance

EU RoHS

Fulfills EU RoHS substance requirements	Yes
Exemption	7(a), 7(c)-I

China RoHS

Environment friendly use period (EFUP)	EFUP-50
	An article-related China RoHS declaration table can be found in the download area for the respective article under "Manufacturer declaration". For all articles with EFUP-E, no China RoHS declaration table issued and required.

EU REACH SVHC

REACH candidate substance (CAS No.)	1-Methyl-2-pyrrolidone (NMP)(CAS: 872-50-4)
	Lead(CAS: 7439-92-1)
	6,6'-di-tert-butyl-2,2'-methylenedi-p-cresol(CAS: 119-47-1)
SCIP	c70164e3-e124-4d3b-a32a-71e11230e813

Phoenix Contact 2026 © - all rights reserved
<https://www.phoenixcontact.com>

Phoenix Contact USA
 586 Fulling Mill Road
 Middletown, PA 17057, United States
 (+717) 944-1300
info@phoenixcon.com