

PACT V1-21-44-150-5A-05-25 - Current transformer



2902550

<https://www.phoenixcontact.com/us/products/2902550>

Please be informed that the data shown in this PDF document is generated from our online catalog. Please find the complete data in the user documentation. Our general terms of use for downloads are valid.



Bus-bar current transformer, 150 A AC primary current; 5 A AC secondary current; accuracy class 0.5; 2.5 VA rated power

Commercial data

| | |
|--------------------------------------|---------------|
| Item number | 2902550 |
| Packing unit | 1 pc |
| Minimum order quantity | 1 pc |
| Product key | CMMA11 |
| GTIN | 4046356662529 |
| Weight per piece (including packing) | 221.9 g |
| Weight per piece (excluding packing) | 200.5 g |
| Country of origin | DE |

2902550

<https://www.phoenixcontact.com/us/products/2902550>

Technical data

Product properties

| | |
|----------------|-----------------------------|
| Product type | Current transformer |
| Product family | Bus-bar current transformer |

Electrical properties

| | |
|--------------------------|------|
| Rated insulation voltage | 1 kV |
|--------------------------|------|

General

| | |
|-------------------|-----------------------------|
| Can be calibrated | no |
| Class | 0.5 |
| Converter type | Bus-bar current transformer |

Input data

Current transformer

| | |
|----------------------------------|-----------------------------|
| Rated power | 2.5 VA |
| Thermal rated continuous current | $I_d = 1.2 \cdot I_n$ |
| Rated frequency f_n | 50 Hz |
| | 60 Hz |
| Primary rated current I_{pn} | 0 A ... 150 A |
| Can be calibrated | no |
| Class | 0.5 |
| Converter type | Bus-bar current transformer |

Output data

Signal

| | |
|----------------------------------|--------|
| Secondary rated current I_{sn} | 5 A AC |
| Accuracy class | 0.5 |

Connection data

| | |
|----------------------------------|--|
| Connection method | Screw connection |
| Conductor cross-section flexible | 2x 2.5 mm ² ... 4 mm ² (Secondary terminals) |

Dimensions

Item dimensions

| | |
|--------|-------|
| Width | 30 mm |
| Height | 66 mm |
| Depth | 44 mm |

Item dimensions with alternative mounting

| | |
|--------|-------|
| Width | 44 mm |
| Height | 66 mm |

PACT V1-21-44-150-5A-05-25 - Current transformer



2902550

<https://www.phoenixcontact.com/us/products/2902550>

| | |
|-------|-------|
| Depth | 30 mm |
|-------|-------|

Circular conductor

| | |
|----------|-------|
| Diameter | 21 mm |
|----------|-------|

Material specifications

| | |
|------------------|------------------------------------|
| Color | black (RAL 9005) |
| Housing material | Polyamide PA fiberglass reinforced |

Environmental and real-life conditions

Ambient conditions

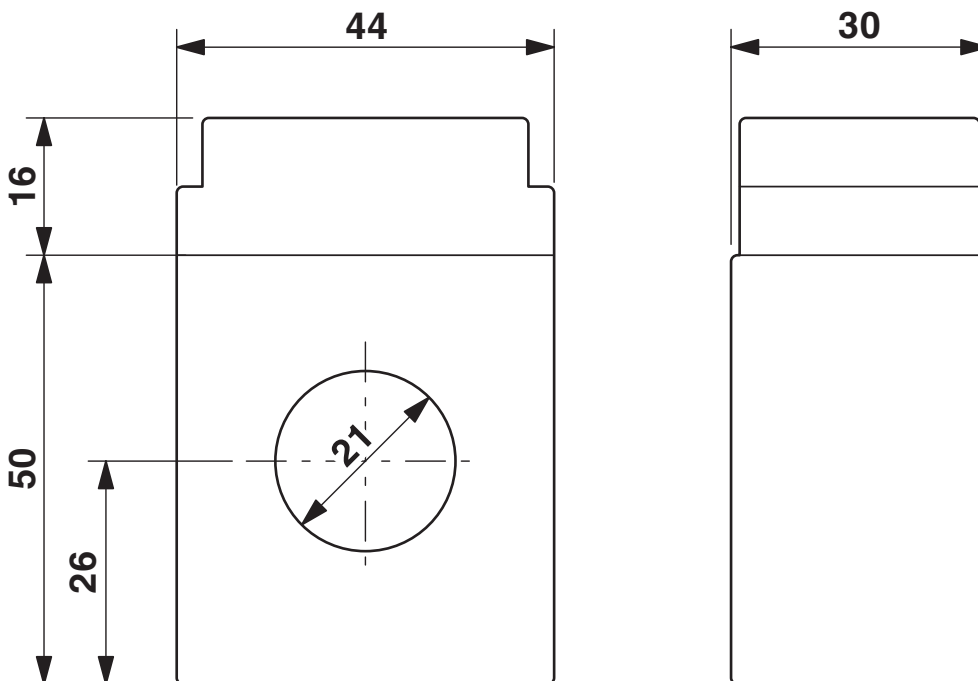
| | |
|---|------------------|
| Ambient temperature (operation) | -25 °C ... 40 °C |
| Ambient temperature (storage/transport) | -25 °C ... 40 °C |
| Insulating material class | E |

Standards and regulations

| | |
|-----------------------|-------------|
| Standards/regulations | IEC 60044-1 |
|-----------------------|-------------|

Drawings

Dimensional drawing



2902550

<https://www.phoenixcontact.com/us/products/2902550>

Environmental product compliance

China RoHS

| | |
|--|---|
| Environment friendly use period (EFUP) | EFUP-50 |
| | An article-related China RoHS declaration table can be found in the download area for the respective article under "Manufacturer declaration". For all articles with EFUP-E, no China RoHS declaration table issued and required. |

EU REACH SVHC

| | |
|-------------------------------------|----------------------------|
| REACH candidate substance (CAS No.) | No substance above 0.1 wt% |
|-------------------------------------|----------------------------|

Phoenix Contact 2026 © - all rights reserved
<https://www.phoenixcontact.com>

Phoenix Contact USA
586 Fulling Mill Road
Middletown, PA 17057, United States
(+717) 944-1300
info@phoenixcon.com