

# SUBCON-PLUS-PROFIB/AX/M12 - D-SUB bus connector



2902321

<https://www.phoenixcontact.com/us/products/2902321>

Please be informed that the data shown in this PDF document is generated from our online catalog. Please find the complete data in the user documentation. Our general terms of use for downloads are valid.



D-SUB connector, 9-pos., pin, assignment: 3, 5, 6, 8; two M12 cable entries (B-coded), axial.  
Bus system: PROFIBUS DP up to 12 Mbps. Termination resistor via separate M12 terminator.

## Product description

The SUBCON-PLUS fast connectors with M12 connection ensure error-free installation of bus systems, thanks to the use of fully-tested components such as cables and connectors. The innovative housing concept is lightweight yet offers optimum mechanical protection against environmental influences. This means that the fast connection plugs are ideal, even in applications subject to vibration. The unique SPEEDCON fast locking system on the M12 connections offers reliable connection with just half a turn.

## Your advantages

- Quick connection thanks to M12-SPEEDCON fast locking system
- Through-contacted shielding from M12 to D-SUB
- PROFIBUS



## Commercial data

Item number	2902321
Packing unit	1 pc
Minimum order quantity	1 pc
Sales key	DN10
Product key	DNC531
GTIN	4046356655057
Weight per piece (including packing)	63 g
Weight per piece (excluding packing)	63 g
Customs tariff number	85366990

# SUBCON-PLUS-PROFIB/AX/M12 - D-SUB bus connector



2902321

<https://www.phoenixcontact.com/us/products/2902321>

Country of origin	CN
-------------------	----

# SUBCON-PLUS-PROFIB/AX/M12 - D-SUB bus connector



2902321

<https://www.phoenixcontact.com/us/products/2902321>

## Technical data

### Notes

#### Note on application

Note on application	Only for industrial use
---------------------	-------------------------

### Product properties

Product type	Data plug
MTTF	6706 Years (SN 29500 standard, temperature 25°C, operating cycle 21%)
	1817 Years (SN 29500 standard, temperature 40°C, operating cycle 34.25%)
	155 Years (SN 29500 standard, temperature 40°C, operating cycle 100%)
Pin assignment	3, 5, 6, 8

### Electrical properties

Nominal voltage $U_N$	5 V
Nominal current $I_N$	100 mA

### Connection data

#### D-SUB connection

Connection method	D-SUB connector
-------------------	-----------------

#### M12 connector

Connection method	M12 male, B-coded
-------------------	-------------------

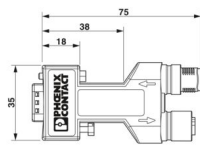
#### M12 connector

Connection method	M12 female, B-coded
-------------------	---------------------

### Interfaces

Bus system	PROFIBUS DP
Signal	PROFIBUS

### Dimensions

Dimensional drawing	
Width	16 mm
Height	75 mm
Length	38 mm

### Material specifications

# SUBCON-PLUS-PROFIB/AX/M12 - D-SUB bus connector



2902321

<https://www.phoenixcontact.com/us/products/2902321>

Color (Housing)	black (RAL 9005)
Material (Housing)	Polyamide

## Mechanical properties

### Mechanical data

Fixing screws	4-40 UNC
Tightening torque	0.4 Nm

## Mechanical tests

Vibration resistance in accordance with EN 60068-2-6/IEC 60068-2-6	: 5g, 10...150 Hz, 2.5 h, in XYZ direction
Shock in accordance with EN 60068-2-27/IEC 60068-2-27	: 15g, 11 ms period, half-sine shock pulse

## Environmental and real-life conditions

### Ambient conditions

Degree of protection	IP40
Ambient temperature (operation)	-30 °C ... 80 °C
Ambient temperature (storage/transport)	-40 °C ... 85 °C
Ambient temperature (assembly)	-20 °C ... 80 °C
Altitude	≤ 5000 m (For restrictions, see the manufacturer's declaration for altitude operation)
Permissible humidity (operation)	10 % ... 95 % (non-condensing)
Permissible humidity (storage/transport)	5 % ... 95 % (non-condensing)

## Standards and regulations

Free from substances that could impair the application of coating	VDMA 24364:2018-05
---	--------------------

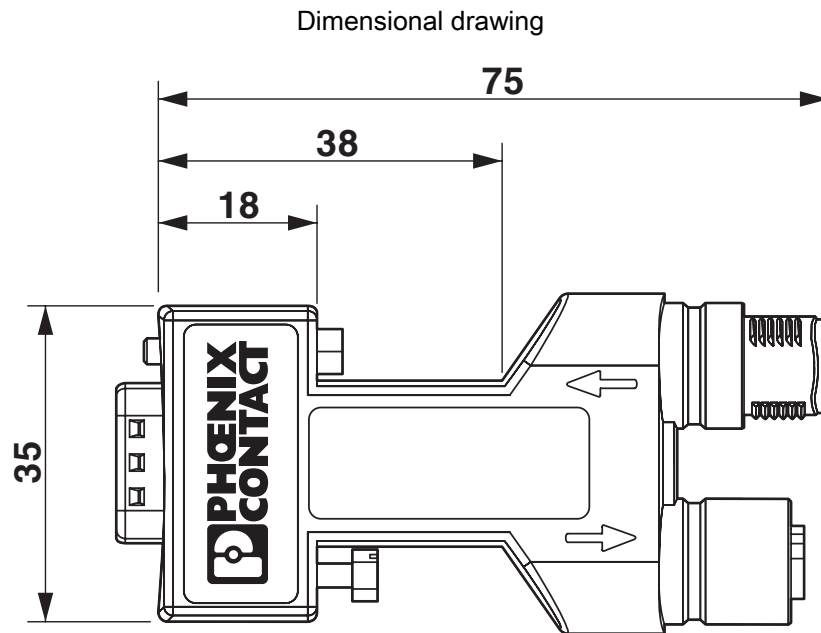
# SUBCON-PLUS-PROFIB/AX/M12 - D-SUB bus connector



2902321

<https://www.phoenixcontact.com/us/products/2902321>

## Drawings



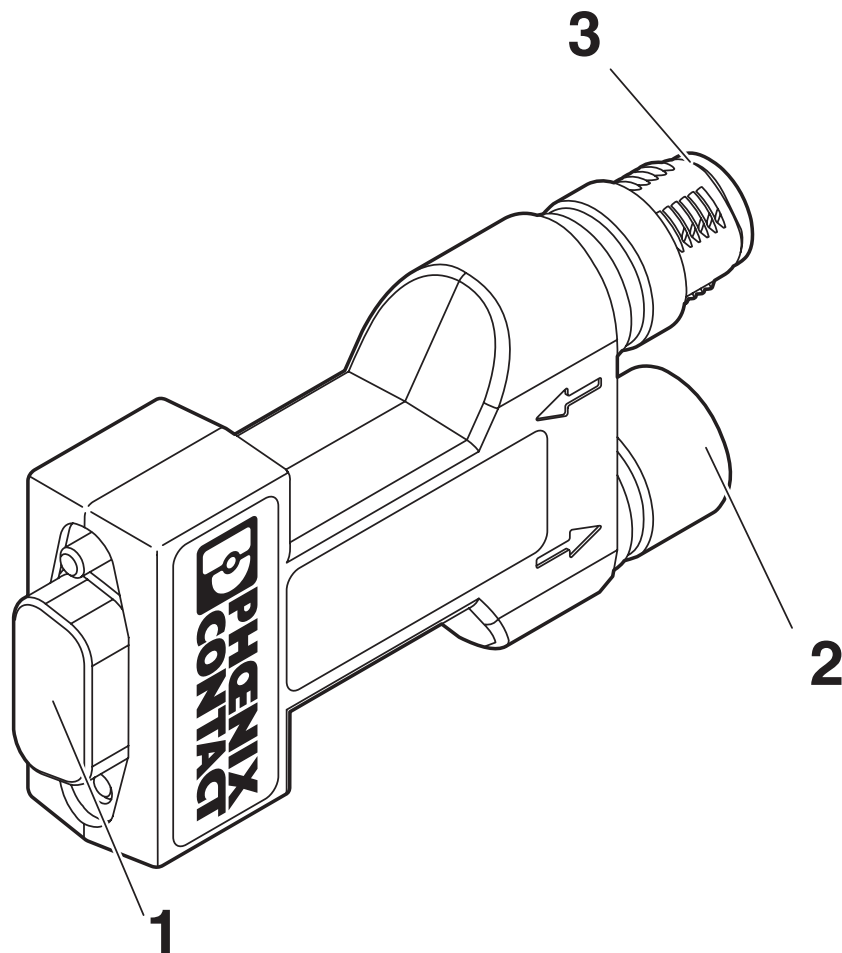
SUBCON-PLUS...AX...M12 dimensional drawing, axial (180°) version

# SUBCON-PLUS-PROFIB/AX/M12 - D-SUB bus connector

2902321

<https://www.phoenixcontact.com/us/products/2902321>

Schematic diagram



## Function elements

1 = D-SUB 9

2 = Outgoing M12 connection

3 = Incoming M12 connection

4 = D-SUB PG connection (depending on the version)

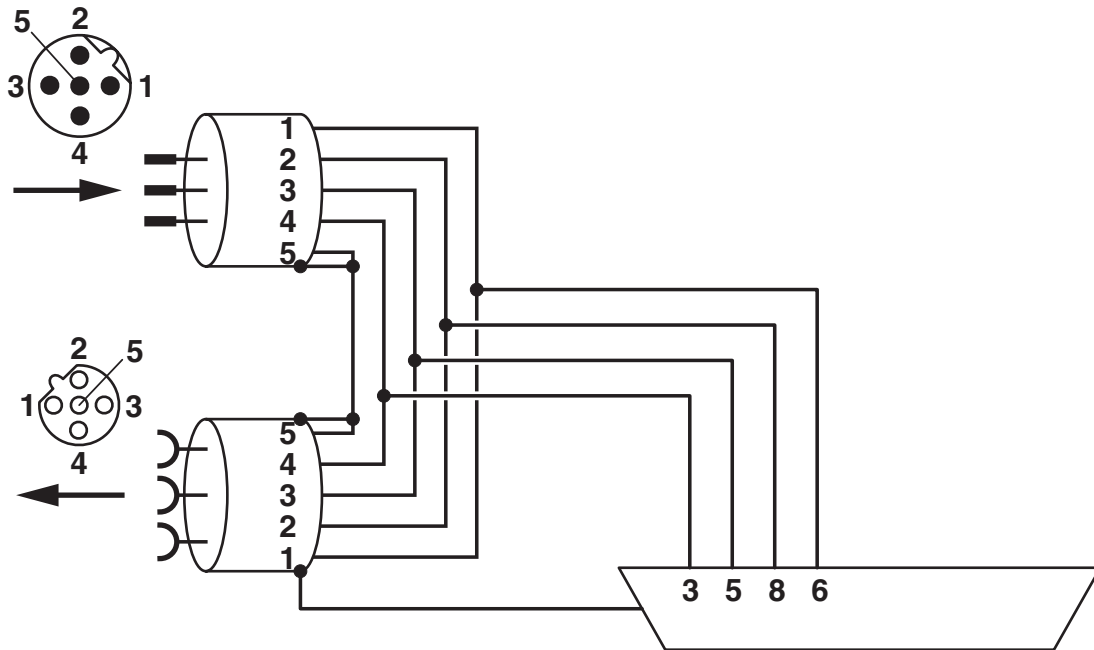
# SUBCON-PLUS-PROFIB/AX/M12 - D-SUB bus connector



2902321

<https://www.phoenixcontact.com/us/products/2902321>

Block diagram



SUBCON-PLUS-PROFIB/...M12 function block diagram

# SUBCON-PLUS-PROFIB/AX/M12 - D-SUB bus connector



2902321

<https://www.phoenixcontact.com/us/products/2902321>

## Approvals

To download certificates, visit the product detail page: <https://www.phoenixcontact.com/us/products/2902321>



**cULus Recognized**  
Approval ID: E238705

# SUBCON-PLUS-PROFIB/AX/M12 - D-SUB bus connector



2902321

<https://www.phoenixcontact.com/us/products/2902321>

## Classifications

### ECLASS

ECLASS-13.0	27440302
ECLASS-15.0	27440322

### ETIM

ETIM 10.0	EC001132
-----------	----------

### UNSPSC

UNSPSC 21.0	39121400
-------------	----------

# SUBCON-PLUS-PROFIB/AX/M12 - D-SUB bus connector



2902321

<https://www.phoenixcontact.com/us/products/2902321>

## Environmental product compliance

### EU RoHS

Fulfills EU RoHS substance requirements	Yes
Exemption	6(c)

### China RoHS

Environment friendly use period (EFUP)	EFUP-50
	An article-related China RoHS declaration table can be found in the download area for the respective article under "Manufacturer declaration". For all articles with EFUP-E, no China RoHS declaration table issued and required.

### EU REACH SVHC

REACH candidate substance (CAS No.)	Lead(CAS: 7439-92-1)
SCIP	8cf92f56-6836-4c87-900d-003c75be20a5

Phoenix Contact 2026 © - all rights reserved  
<https://www.phoenixcontact.com>

Phoenix Contact USA  
586 Fulling Mill Road  
Middletown, PA 17057, United States  
(+717) 944-1300  
[info@phoenixcon.com](mailto:info@phoenixcon.com)