

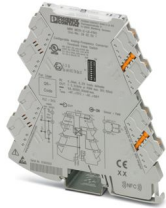
MINI MCR-2-UI-FRO - Frequency measuring transducer



2902031

<https://www.phoenixcontact.com/us/products/2902031>

Please be informed that the data shown in this PDF document is generated from our online catalog. Please find the complete data in the user documentation. Our general terms of use for downloads are valid.



Analog frequency transducer with limit value functionality and plug-in connection technology for converting standard signals into frequency or PWM signals. Configurable via DIP switch or software. Screw connection technology, standard configuration.

Product description

Configurable, freely adjustable analog frequency transducer with additional switching output, limit value functionality, and plug-in connection technology for converting standard analog signals to frequency signals or to pulse width modulated signals (PWM signals). Current signals between 0 mA ... 24 mA and voltage signals between 0 V ... 12 V can be processed on the input side. Frequency signals between 0 ... 11 kHz and PWM signals between 0% ... 100% are possible on the output side. In addition, the output can also be operated as a switching output, which means that two switching thresholds can be set independently of one another. The minimum measuring span is 1 mA and 0.5 V. Full accuracy is maintained with a measuring span greater than 10 mA and 5 V. You can configure the device using one of the free software solutions. Default settings can also be made directly on the device by simply using the DIP switches (see configuration table). The measuring transducer supports fault monitoring and NFC communication.

Commercial data

Item number	2902031
Packing unit	1 pc
Minimum order quantity	1 pc
Sales key	C404
Product key	DK1126
GTIN	4046356652032
Weight per piece (including packing)	125.2 g
Weight per piece (excluding packing)	125 g
Customs tariff number	85437090
Country of origin	DE

MINI MCR-2-UI-FRO - Frequency measuring transducer



2902031

<https://www.phoenixcontact.com/us/products/2902031>

Technical data

Notes

Utilization restriction

EMC note	EMC: class A product, see manufacturer's declaration in the download area
----------	---

Product properties

Product type	Frequency value transformer
Product family	MINI Analog Pro
No. of channels	1
Configuration	DIP switches
	Software
	App

System properties

Functionality

Configuration	DIP switches
	Software
	App

Electrical properties

Electrical isolation	4-way isolation
Electrical isolation between input and output	yes
Step response (0–99%)	120 ms (15 Hz sample rate)
	35 ms (60 Hz sample rate)
	15 ms (240 Hz sample rate, can only be set via software)
	130 ms (15 Hz sample rate)
	40 ms (60 Hz sample rate)
	20 ms (240 Hz sample rate, can only be set via software)
Maximum temperature coefficient	< 0.01 %/K
Temperature coefficient, typical	0.01 %/K

Electrical isolation

Overvoltage category	II
Pollution degree	2

Electrical isolation Input/output/power supply IEC/EN 61010-1

Standards/regulations	IEC/EN 61010-1
Rated insulation voltage	300 V _{rms}
Test voltage	3 kV AC (50 Hz, 60 s)
Insulation	Reinforced insulation

Supply

MINI MCR-2-UI-FRO - Frequency measuring transducer



2902031

<https://www.phoenixcontact.com/us/products/2902031>

Nominal supply voltage	24 V DC
Supply voltage range	9.6 V DC ... 30 V DC (The DIN rail connector (ME 6,2 TBUS-2 1,5/5-ST-3,81 GN, item no. 2869728) can be used to bridge the supply voltage. It can be snapped onto a 35 mm DIN rail in accordance with EN 60715)
Typical current consumption	27 mA (12 V DC)
	13.5 mA (24 V DC)
Power consumption	≤ 350 mW (9.6 V DC)

Input data

Signal: Voltage/current

Number of inputs	1
Configurable/programmable	Yes
Voltage input signal	0 V ... 10 V (via DIP switch)
	2 V ... 10 V (via DIP switch)
	0 V ... 5 V (via DIP switch)
	1 V ... 5 V (via DIP switch)
	10 V ... 0 V (via DIP switch)
	10 V ... 2 V (via DIP switch)
	5 V ... 0 V (via DIP switch)
	5 V ... 1 V (via DIP switch)
	0 V ... 12 V (can be set via software)
Max. voltage input signal	12 V
Current input signal	0 mA ... 20 mA (via DIP switch)
	4 mA ... 20 mA (via DIP switch)
	0 mA ... 10 mA (via DIP switch)
	2 mA ... 10 mA (via DIP switch)
	20 mA ... 0 mA (via DIP switch)
	20 mA ... 4 mA (via DIP switch)
	10 mA ... 0 mA (via DIP switch)
	10 mA ... 2 mA (via DIP switch)
	0 mA ... 24 mA (can be set via software)
Max. current input signal	24 mA
Input resistance of voltage input	> 120 kΩ
Input resistance current input	~ 50 Ω (+0.7 V for test diode)

Output data

Frequency: Frequency/transistor

Frequency output	0 Hz ... 10 kHz (via DIP switch)
	0 Hz ... 5 kHz (via DIP switch)
	0 Hz ... 2.5 kHz (via DIP switch)
	0 Hz ... 1 kHz (via DIP switch)
	0 Hz ... 500 Hz (via DIP switch)
	0 Hz ... 250 Hz (via DIP switch)

MINI MCR-2-UI-FRO - Frequency measuring transducer



2902031

<https://www.phoenixcontact.com/us/products/2902031>

	0 Hz ... 100 Hz (via DIP switch)
	0 Hz ... 50 Hz (via DIP switch)
	0 Hz ... 10.5 kHz (can be set via software)
Load min.	$4 \text{ mA} \leq (U_L / R_L) \leq 100 \text{ mA}$
Maximum transmission error	$\leq 0.1 \%$ ($> 7 \text{ kHz} \leq 0.2 \%$)
Output signal PWM	15.6 kHz (10 bits, via DIP switch)
	1.9 kHz (10 bits, via DIP switch)
	3.9 kHz (12 bits, via DIP switch)
	488 Hz (12 bits, via DIP switch)
	977 Hz (14 bits, via DIP switch)
	122 Hz (14 bits, via DIP switch)
	244 Hz (16 bits, via DIP switch)
	31 Hz (16 bits, via DIP switch)
	31 Hz ... 15.6 kHz (can be set via software)
Load min.	$12 \text{ mA} \leq (U_L / R_L) \leq 100 \text{ mA}$
Maximum transmission error	$< 0.2 \%$ (PWM frequency $\leq \ominus\Downarrow\Downarrow \text{ Hz}$)
	$< 0.5 \%$ ($500 \text{ Hz} < \text{PWM frequency} \leq \ominus\Downarrow\Downarrow \text{ Hz}$)
	$< 1 \%$ ($2000 \text{ Hz} < \text{PWM frequency} \leq \square\Downarrow\Downarrow \text{ Hz}$)
	$< 2 \%$ ($4000 \text{ Hz} < \text{PWM frequency} \leq \Downarrow\Downarrow\Downarrow \text{ Hz}$)
	$< 3 \%$ ($8000 \text{ Hz} < \text{PWM frequency} \leq \Downarrow\Downarrow\Downarrow \text{ Hz}$)
Load current maximum	100 mA
Maximum switching voltage	30 V DC
Overrange/underrange	can be set (via software)

Switching: Transistor

Number of outputs	1
Contact switching type	1 N/O contact
Minimum switching voltage	1 V DC
Maximum switching voltage	30 V DC
Min. switching current	100 μA
Max. switching current	100 mA (30 V DC)

Signal

Number of outputs	1
-------------------	---

Connection data

Connection method	Screw connection
Stripping length	10 mm
Screw thread	M3
Conductor cross-section rigid	0.2 mm ² ... 1.5 mm ² (with ferrule)
	0.14 mm ² ... 2.5 mm ² (without ferrule)
Conductor cross-section flexible	0.14 mm ² ... 2.5 mm ²
Conductor cross-section AWG	24 ... 12 (flexible)
Tightening torque	0.5 Nm ... 0.6 Nm

MINI MCR-2-UI-FRO - Frequency measuring transducer



2902031

<https://www.phoenixcontact.com/us/products/2902031>

Ex data

Ex installation (EPL)	Gc
	Div. 2

Interfaces

Data: IFS interface

Connection method	Micro USB type B
-------------------	------------------

Signaling

Error indication	Red LED
------------------	---------

Dimensions

Width	6.2 mm
Height	109.81 mm
Depth	119.2 mm

Material specifications

Color	gray (RAL 7042)
Housing material	PBT
Fire protection for rail vehicles (DIN EN 45545-2) R22	HL 1 - HL 2
Fire protection for rail vehicles (DIN EN 45545-2) R23	HL 1 - HL 2
Fire protection for rail vehicles (DIN EN 45545-2) R24	HL 1 - HL 2

Environmental and real-life conditions

Ambient conditions

Degree of protection	IP20 (not assessed by UL)
Ambient temperature (operation)	-40 °C ... 70 °C
Ambient temperature (storage/transport)	-40 °C ... 85 °C
Altitude	≤ 2000 m
Permissible humidity (operation)	5 % ... 95 % (non-condensing)

Approvals

CE

Certificate	CE-compliant
-------------	--------------

ATEX

Identification	⊕ II 3 G Ex ec IIC T4 Gc
Certificate	BVS 19 ATEX E 083 X

IECEX

Identification	Ex ec IIC T4 Gc
Certificate	IECEX BVS 19.0072X

UL, USA/Canada

MINI MCR-2-UI-FRO - Frequency measuring transducer



2902031

<https://www.phoenixcontact.com/us/products/2902031>

Identification	UL 508 Listed
	Class I, Div. 2, Groups A, B, C, D T6
	Class I, Zone 2, Group IIC T6

Shipbuilding approval

Certificate	DNV GL TAA000021E Rev. 1
-------------	--------------------------

EAC Ex

Identification	Ex ec IIC T4 Gc
Certificate	BY/112 02.01 TP012 103.01 00081

Shipbuilding data

Temperature	B
Humidity	B
Vibration	A
EMC	A
Enclosure	Required protection according to the Rules shall be provided upon installation on board

EMC data

Electromagnetic compatibility	Conformance with EMC directive
Noise immunity	EN 61000-6-2
Note	When being exposed to interference, there may be minimal deviations.

Noise emission

Standards/regulations	EN 61000-6-4
-----------------------	--------------

Standards and regulations

Electrical isolation	4-way isolation
----------------------	-----------------

GB Standard

Standards/regulations	GB 3836.1
	GB 3836.8

Mounting

Mounting type	DIN rail mounting
Assembly note	The DIN rail connector can be used for bridging the supply voltage. It can be snapped onto a 35 mm EN 60715 DIN rail.
Mounting position	any

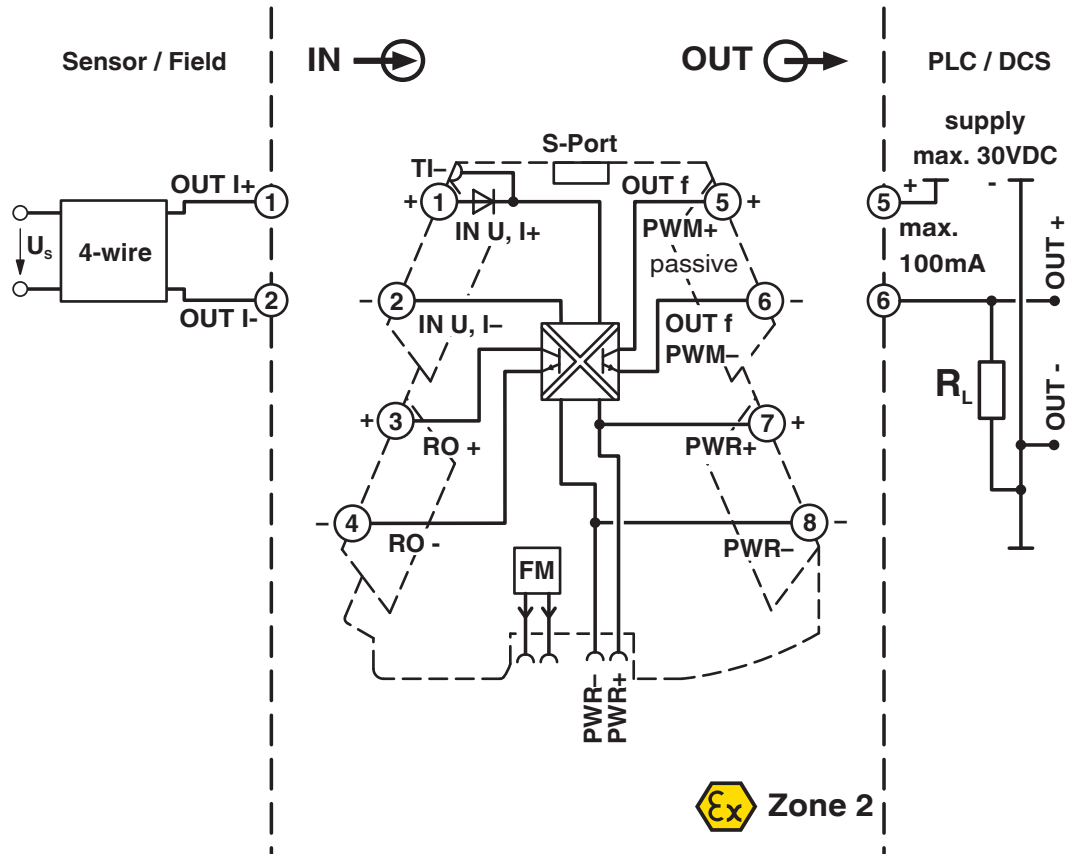
MINI MCR-2-UI-FRO - Frequency measuring transducer

2902031

<https://www.phoenixcontact.com/us/products/2902031>

Drawings

Block diagram



MINI MCR-2-UI-FRO - Frequency measuring transducer



2902031

<https://www.phoenixcontact.com/us/products/2902031>

Approvals

To download certificates, visit the product detail page: <https://www.phoenixcontact.com/us/products/2902031>



EAC

Approval ID: RU*DE.*08.B.01536/19



UL Listed

Approval ID: E238705



cUL Listed

Approval ID: E238705

DNV

Approval ID: TAA000021E



IECEx

Approval ID: IECEx BVS 19.0072X



cUL Listed

Approval ID: E196811



UL Listed

Approval ID: E196811



ATEX

Approval ID: BVS 19 ATEX E 083 X



EAC Ex

Approval ID: TR TS_S_103.01.00081



CCC

Approval ID: 2025122310128086

MINI MCR-2-UI-FRO - Frequency measuring transducer



2902031

<https://www.phoenixcontact.com/us/products/2902031>

Classifications

ECLASS

ECLASS-13.0	27210128
ECLASS-15.0	27210128

ETIM

ETIM 10.0	EC002918
-----------	----------

UNSPSC

UNSPSC 21.0	39121000
-------------	----------

MINI MCR-2-UI-FRO - Frequency measuring transducer



2902031

<https://www.phoenixcontact.com/us/products/2902031>

Environmental product compliance

EU RoHS

Fulfills EU RoHS substance requirements	Yes
Exemption	7(a), 7(c)-I

China RoHS

Environment friendly use period (EFUP)	EFUP-50
	An article-related China RoHS declaration table can be found in the download area for the respective article under "Manufacturer declaration". For all articles with EFUP-E, no China RoHS declaration table issued and required.

EU REACH SVHC

REACH candidate substance (CAS No.)	Lead(CAS: 7439-92-1)
SCIP	fe6e1688-fab6-481b-9b75-21f51c43dc93

Phoenix Contact 2026 © - all rights reserved

<https://www.phoenixcontact.com>

Phoenix Contact USA
586 Fulling Mill Road
Middletown, PA 17057, United States
(+717) 944-1300
info@phoenixcon.com