

REL-OR/LDP-220DC/1/MB - Single relay



2901904

<https://www.phoenixcontact.com/us/products/2901904>

Please be informed that the data shown in this PDF document is generated from our online catalog. Please find the complete data in the user documentation. Our general terms of use for downloads are valid.



Plug-in octal relay with power contacts, specially designed for switching high DC loads, 1 N/O contact, detectable manual operation, status LED, blowout magnet, coil voltage: 220 V DC

The figure shows the 24 V DC version

Commercial data

Item number	2901904
Packing unit	1 pc
Note	Made to order (non-returnable)
Sales key	C460
Product key	DK6193
GTIN	4046356667500
Weight per piece (including packing)	98.66 g
Weight per piece (excluding packing)	98.66 g
Customs tariff number	85364900
Country of origin	IN

REL-OR/LDP-220DC/1/MB - Single relay



2901904

<https://www.phoenixcontact.com/us/products/2901904>

Technical data

Product properties

Product type	Single relay
Operating mode	100% operating factor
Mechanical service life	approx. 10^7 cycles

Insulation characteristics

Overvoltage category	III
Pollution degree	3

Data management status

Date of last data management	05.09.2025
------------------------------	------------

Electrical properties

Maximum power dissipation for nominal condition	1.54 W
Test voltage (Winding/contact)	2.5 kV _{rms} (50 Hz, 1 min., winding/contact)

Input data

Coil side

Nominal input voltage U_N	220 V DC
Input voltage range	143 V DC ... 330 V DC
Input voltage range in reference to U_N	see diagram
Typical input current at U_N	7 mA
Typical response time	20 ms
Typical release time	30 ms
Protective circuit	Freewheeling diode
Operating voltage display	Yellow LED
Coil resistance	36.1 k Ω \pm 10 %

Output data

Switching

Contact switching type	1 N/O contact
Type of switch contact	Single contact
Note regarding the switch contact	Series connection, 2 N/O contacts with blowout magnet
Contact material	AgNi
Maximum switching voltage	250 V AC 220 V DC
Minimum switching voltage	10 V (at 10 mA)
Limiting continuous current	10 A
Maximum inrush current	30 A (20 ms)
Min. switching current	10 mA (at 10 V)
Interrupting rating (ohmic load) max.	2500 VA (for 250 V AC)

REL-OR/LDP-220DC/1/MB - Single relay



2901904

<https://www.phoenixcontact.com/us/products/2901904>

Dimensions

Width	35 mm
Height	35 mm
Depth	58.5 mm

Environmental and real-life conditions

Ambient conditions

Degree of protection	RT I
Ambient temperature (operation)	-40 °C ... 60 °C
Ambient temperature (storage/transport)	-40 °C ... 80 °C

Standards and regulations

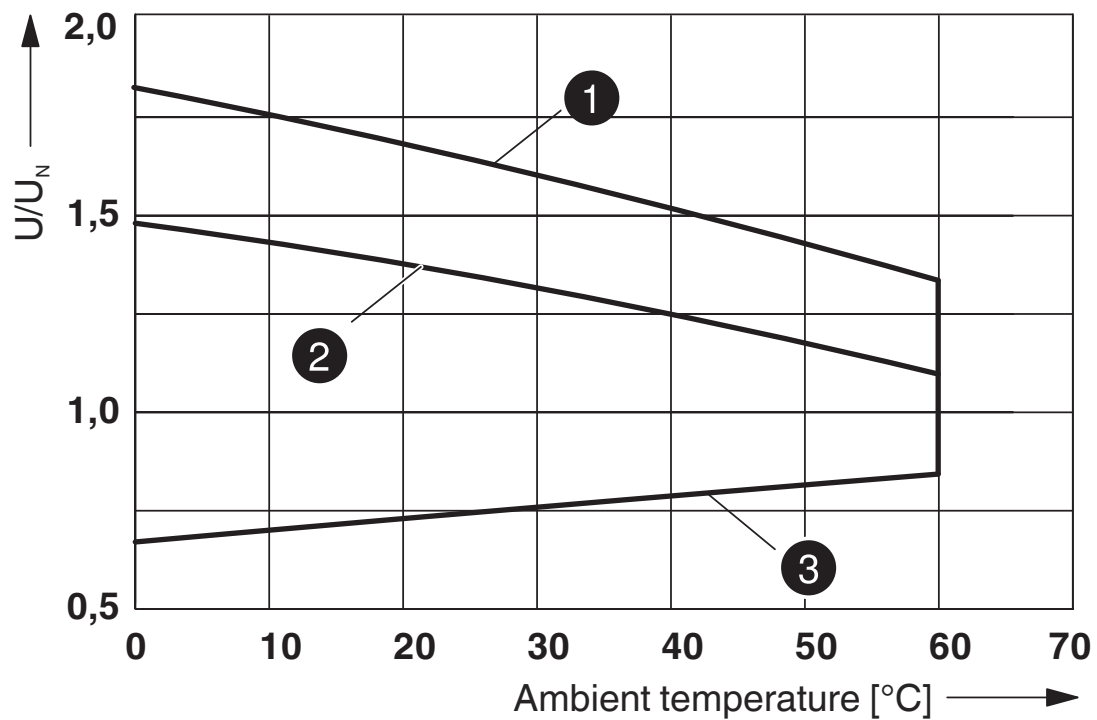
Standards/regulations	IEC 61810
	EN 60947

Mounting

Assembly note	On relay base PR3
Mounting position	any

Drawings

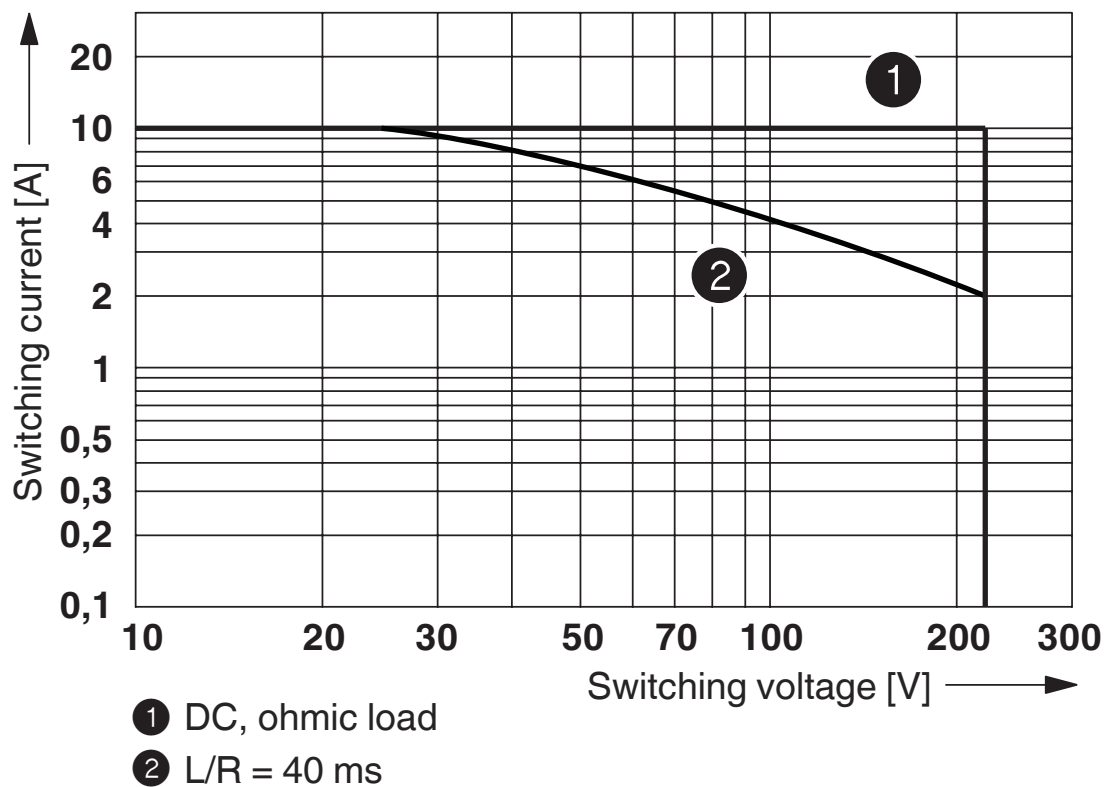
Diagram



- ① Maximum operating voltage without load current (0 A)
- ② Maximum operating voltage at limiting continuous current (10 A)
- ③ Minimum pick-up voltage without pre-excitation

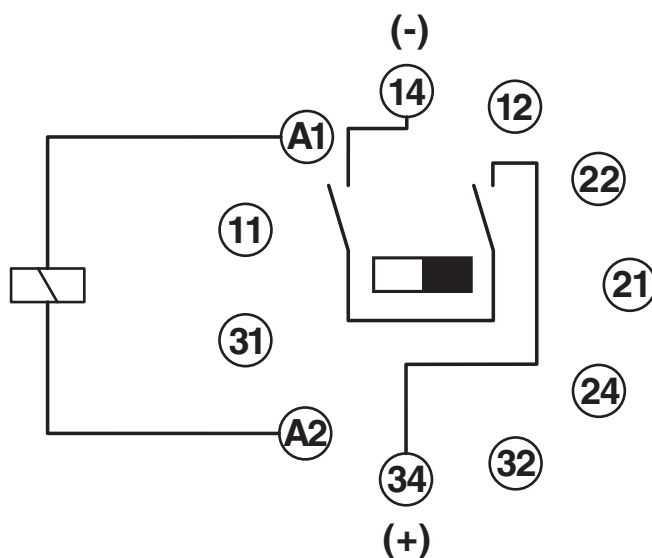
Operating voltage range of the relay

Diagram



DC interrupting rating

Circuit diagram



2901904

<https://www.phoenixcontact.com/us/products/2901904>

Environmental product compliance

China RoHS

Environment friendly use period (EFUP)	EFUP-5 An article-related China RoHS declaration table can be found in the download area for the respective article under "Manufacturer declaration". For all articles with EFUP-E, no China RoHS declaration table issued and required.
--	---

EU REACH SVHC

REACH candidate substance (CAS No.)	No substance above 0.1 wt%
-------------------------------------	----------------------------

Phoenix Contact 2026 © - all rights reserved
<https://www.phoenixcontact.com>

Phoenix Contact USA
586 Fulling Mill Road
Middletown, PA 17057, United States
(+717) 944-1300
info@phoenixcon.com