

# VAL-MS 350 VF/3+0 - Type 2 surge arrester



2901861

<https://www.phoenixcontact.com/us/products/2901861>

Please be informed that the data shown in this PDF document is generated from our online catalog. Please find the complete data in the user documentation. Our general terms of use for downloads are valid.



Plug-in surge arrester free of leakage current for 3-phase power supply networks with N and PE in a common conductor (4-conductor system: L1, L2, L3, PEN).

## Commercial data

Item number	2901861
Packing unit	1 pc
Minimum order quantity	1 pc
Product key	CL1321
GTIN	4046356912822
Weight per piece (including packing)	327 g
Weight per piece (excluding packing)	308.1 g
Country of origin	DE

# VAL-MS 350 VF/3+0 - Type 2 surge arrester



2901861

<https://www.phoenixcontact.com/us/products/2901861>

## Technical data

### Notes

#### General

Note	Only usable in IT Systems between L-PE, if the exposed-conductive-parts (bodies) of the equipment of the low-voltage installation is connected to the earthing arrangement of the transformer substation (interconnected earthing arrangement of the HV-transformer substation with the bodies of the LV-installation. $R_E = R_A$ accordance to IEC 60364-4-442 / VDE 0100-442 Fig. 44D / Example a).
------	--

### Product properties

Product type	Surge arrester
Product family	VALVETRAB MS
IEC test classification	II T2
EN type	T2
IEC power supply system	TN-C IT
Type	DIN rail module, two-section, divisible
Number of positions	3
Surge protection fault message	optical
Number of ports	One

#### Insulation characteristics

Overvoltage category	III
Pollution degree	2

### Electrical properties

Nominal frequency $f_N$	50 Hz (60 Hz)
-------------------------	---------------

### Connection data

Connection method	Screw connection
Screw thread	M5
Tightening torque	3 Nm (1.5 mm <sup>2</sup> ... 16 mm <sup>2</sup> ) 4.5 Nm (25 mm <sup>2</sup> ... 35 mm <sup>2</sup> )
Stripping length	16 mm
Conductor cross-section flexible	1.5 mm <sup>2</sup> ... 25 mm <sup>2</sup>
Conductor cross-section rigid	1.5 mm <sup>2</sup> ... 35 mm <sup>2</sup>
Conductor cross-section AWG	15 ... 2
Connection method	Fork-type cable lug
Conductor cross-section flexible	1.5 mm <sup>2</sup> ... 16 mm <sup>2</sup>

### Dimensions

# VAL-MS 350 VF/3+0 - Type 2 surge arrester



2901861

<https://www.phoenixcontact.com/us/products/2901861>

Dimensional drawing	
Width	53.4 mm
Height	89.8 mm
Depth	65.7 mm (incl. DIN rail 7.5 mm)
Horizontal pitch	2 Div.

## Material specifications

Flammability rating according to UL 94	V-0
CTI value of material	600
Insulating material	PA 6.6/ PBT
Material group	I
Housing material	PA 6.6 PBT

## Protective circuit

Mode of protection	L-PE L-PEN
Direction of action	3L-N/PE
Nominal voltage $U_N$	240/415 V AC (TN-C) 230 V AC (IT)
Nominal frequency $f_N$	50 Hz (60 Hz)
Maximum continuous operating voltage $U_C$	350 V AC
Rated load current $I_L$	80 A
Protective conductor current $I_{PE}$	$\leq 5 \mu A$
Standby power consumption $P_C$	$\leq 6 \text{ mVA}$
Nominal discharge current $I_n$ (8/20) $\mu s$	10 kA
Maximum discharge current $I_{max}$ (8/20) $\mu s$	20 kA
Short-circuit current rating $I_{SCCR}$	25 kA
Voltage protection level $U_p$	$\leq 1.5 \text{ kV}$
Residual voltage $U_{res}$	$\leq 1.2 \text{ kV}$ (at $I_n$ ) $\leq 1.2 \text{ kV}$ (at 10 kA) $\leq 1.1 \text{ kV}$ (at 5 kA)
Front-of-wave sparkover voltage at 6 kV (1.2/50) $\mu s$	$\leq 1.5 \text{ kV}$
TOV behavior at $U_T$ (L-PEN)	415 V AC (5 s / withstand mode) 440 V AC (120 min / withstand mode)
Response time $t_A$	$\leq 100 \text{ ns}$
Max. backup fuse with V-type through wiring	80 A (gG)
Max. backup fuse with branch wiring	125 A (gG)

## Environmental and real-life conditions

# VAL-MS 350 VF/3+0 - Type 2 surge arrester



2901861

<https://www.phoenixcontact.com/us/products/2901861>

## Ambient conditions

Degree of protection	IP20 (only when all terminal points are used)
Ambient temperature (operation)	-40 °C ... 80 °C
Ambient temperature (storage/transport)	-40 °C ... 80 °C
Altitude	≤ 2000 m (amsl)
Permissible humidity (operation)	5 % ... 95 %
Shock (operation)	25g (Half-sine / 11 ms / 3x ±X, ±Y, ±Z)
Vibration (operation)	5g (10 ... 500 Hz / 2.5 h / X, Y, Z)

## Approvals

### UL specifications

Maximum continuous operating voltage MCOV (L-L)	700 V AC
Nominal discharge current $I_n$ (L-L)	20 kA
Mode of protection	L-L
Nominal voltage	240 V AC
Power distribution system	Delta
Nominal frequency	50/60 Hz
Measured limiting voltage MLV (L-L)	2420 V
SPD Type	4CA

### UL connection data

Tightening torque	30 lb <sub>f</sub> -in.
Conductor cross-section AWG	10 ... 2

## Standards and regulations

Standards/specifications	IEC 61643-11
Note	2011
Standards/specifications	EN 61643-11
Note	2012

## Mounting

Mounting type	DIN rail: 35 mm
---------------	-----------------

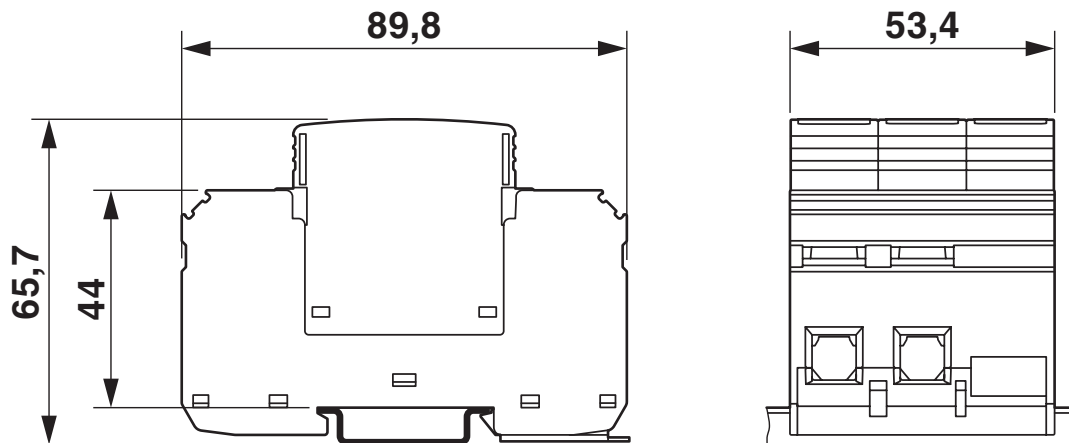
# VAL-MS 350 VF/3+0 - Type 2 surge arrester

2901861

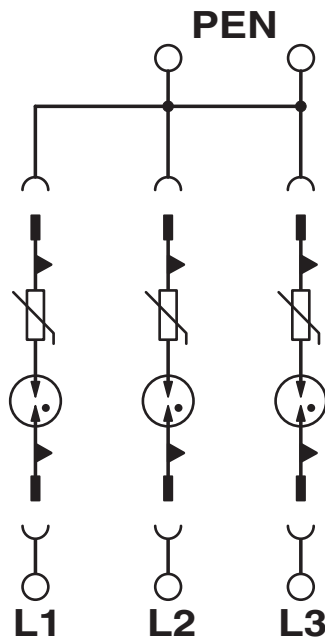
<https://www.phoenixcontact.com/us/products/2901861>

## Drawings

Dimensional drawing



Circuit diagram



# VAL-MS 350 VF/3+0 - Type 2 surge arrester



2901861

<https://www.phoenixcontact.com/us/products/2901861>

## Environmental product compliance

EU REACH SVHC

REACH candidate substance (CAS No.)	
-------------------------------------	--

	No substance above 0.1 wt%
--	----------------------------

Phoenix Contact 2026 © - all rights reserved

<https://www.phoenixcontact.com>

Phoenix Contact USA  
586 Fulling Mill Road  
Middletown, PA 17057, United States  
(+717) 944-1300  
[info@phoenixcon.com](mailto:info@phoenixcon.com)