

UM-KS50/32-MR/1/SI/ADV151 - Active module



2901651

<https://www.phoenixcontact.com/us/products/2901651>

Please be informed that the data shown in this PDF document is generated from our online catalog. Please find the complete data in the user documentation. Our general terms of use for downloads are valid.



32-channel input relay module with screw connection and 50-pos. system connection. The coil side is secured and optionally non-isolated. Suitable for the Yokogawa ADV 151 and ADV 161 cards.

Commercial data

Item number	2901651
Packing unit	1 pc
Minimum order quantity	1 pc
Product key	DK219N
GTIN	4046356620451
Weight per piece (including packing)	879 g
Weight per piece (excluding packing)	879 g
Country of origin	DE

Technical data

Product properties

Product type	Interface module
Insulation characteristics	
Overvoltage category	III
Pollution degree	2

Electrical properties

Rated surge voltage	2 kV (Basic insulation)
---------------------	-------------------------

Input data

Nominal input voltage U_N	24 V DC
Input voltage range in reference to U_N	0.9 ... 1.1
Input voltage range	21.6 V DC ... 26.4 V DC
Typical input current at U_N	5 mA
Protective circuit	Freewheeling diode
Operating voltage display	Green LED
Status display/channel	Yellow LED

Output data

Switching	
Contact switching type	Single contact, 1 N/O contact
Maximum switching voltage	24 V DC
Limiting continuous current	100 mA
Output fuse	250 mA Slow-blow (TR 5)

Connection data

Field level	
Connection method	Screw connection
Stripping length	8 mm
Screw thread	M3
Conductor cross-section rigid	0.2 mm ² ... 4 mm ²
Conductor cross-section flexible	0.2 mm ² ... 2.5 mm ²
Conductor cross-section AWG	24 ... 12

Controller level

Connection method	Yokogawa, KS compatible
Number of connections	1
Number of positions	50
Note	Usable system cables: Phoenix Contact YUC50, Yokogawa AKB331
Tightening torque	0.5 Nm

2901651

<https://www.phoenixcontact.com/us/products/2901651>

Environmental and real-life conditions

Ambient conditions

Ambient temperature (operation)	-20 °C ... 50 °C
Ambient temperature (storage/transport)	-20 °C ... 70 °C

Standards and regulations

Standards/regulations	DIN EN 50178
-----------------------	--------------

Mounting

Mounting type	DIN rail mounting
---------------	-------------------

Notes

Notes on operation	For proper use, the specifications of the installation directive (see Downloads) must be observed. For applications or use with third-party products, the specifications, and the safety and warning instructions of the respective third-party manufacturer must also be met.
--------------------	--

Utilization restriction

EMC note	EMC: class A product, see manufacturer's declaration in the download area
----------	---

UM-KS50/32-MR/1/SI/ADV151 - Active module

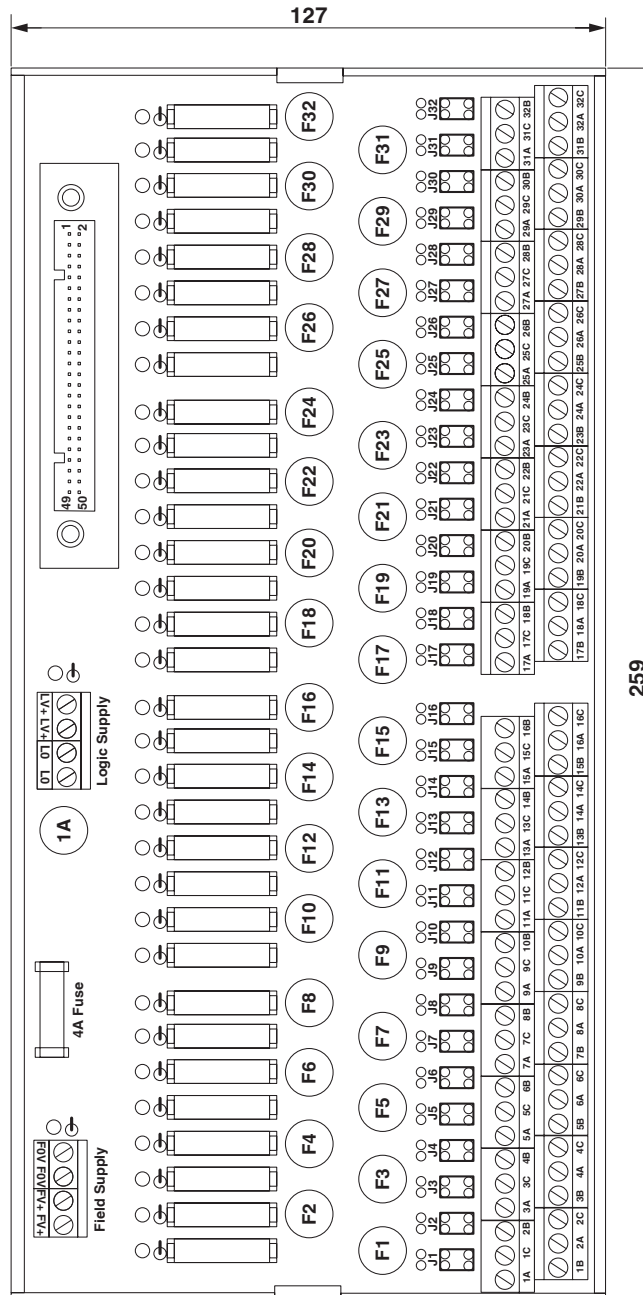


2901651

<https://www.phoenixcontact.com/us/products/2901651>

Drawings

Dimensional drawing



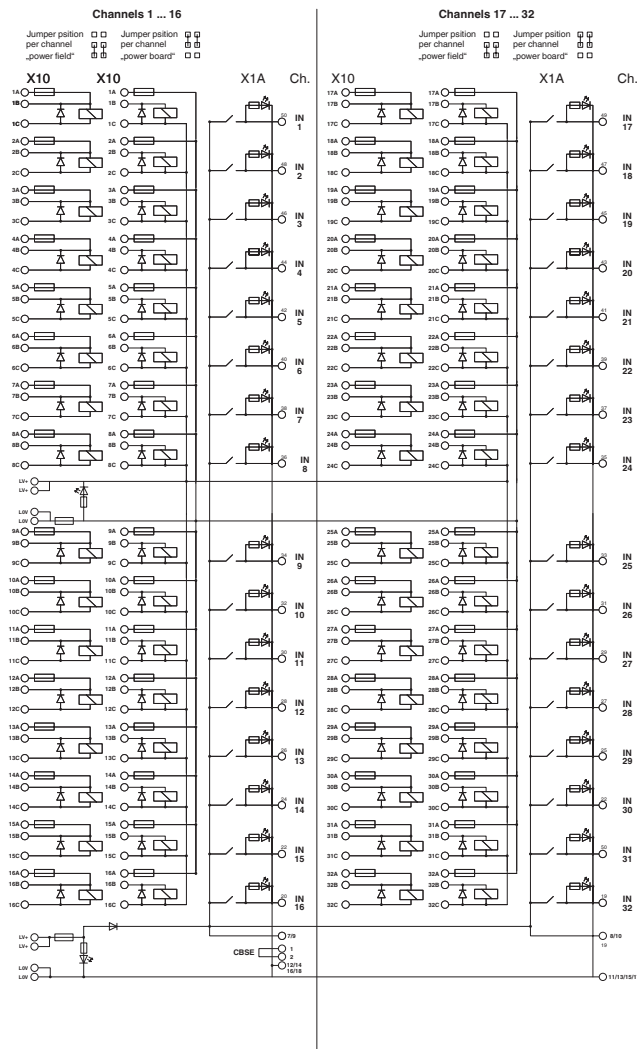
UM-KS50/32-MR/1/SI/ADV151 - Active module



2901651

<https://www.phoenixcontact.com/us/products/2901651>

Circuit diagram



2901651

<https://www.phoenixcontact.com/us/products/2901651>

Environmental product compliance

China RoHS

Environment friendly use period (EFUP)	EFUP-50
	An article-related China RoHS declaration table can be found in the download area for the respective article under "Manufacturer declaration". For all articles with EFUP-E, no China RoHS declaration table issued and required.

EU REACH SVHC

REACH candidate substance (CAS No.)	No substance above 0.1 wt%
-------------------------------------	----------------------------

Phoenix Contact 2026 © - all rights reserved
<https://www.phoenixcontact.com>

Phoenix Contact USA
586 Fulling Mill Road
Middletown, PA 17057, United States
(+717) 944-1300
info@phoenixcon.com