

EM-RS232-GATEWAY-IFS - Data interface



2901526

<https://www.phoenixcontact.com/us/products/2901526>

Please be informed that the data shown in this PDF document is generated from our online catalog. Please find the complete data in the user documentation. Our general terms of use for downloads are valid.



Gateway for the connection of up to 32 INTERFACE system devices to a higher-level controller via Modbus/RS-232. The INTERFACE system devices are connected to the Gateway via DIN rail connectors, the DIN rail connectors are provided.

Commercial data

Item number	2901526
Packing unit	1 pc
Note	Made to order (non-returnable)
Sales key	C477
Product key	DK7724
GTIN	4046356607070
Weight per piece (including packing)	196.1 g
Weight per piece (excluding packing)	196.1 g
Customs tariff number	85389091
Country of origin	DE

Technical data

Product properties

Product type	Gateways/Proxies
Operating mode	100% operating factor

Insulation characteristics

Overvoltage category	III
Pollution degree	2

Electrical properties

Supply

Rated control circuit supply voltage U_S	24 V DC -20 % ... +25 %
Rated control supply current I_S	85 mA (plus load current of the outputs)
Protective circuit	Reverse polarity protection
	Surge protection

Input data

Digital

Number	8
Rated actuating voltage U_C	24 V DC \pm 20 %
Rated actuating current I_C	3 mA
Protective circuit	Reverse polarity protection
	Surge protection

Output data

Digital: Switching outputs

Number	4
Residual voltage	1 V
Maximum switching voltage	23 V DC ($U_B - U_{resid.}$ of the output)
Max. switching current	500 mA
Protective circuit	Parallel protection against polarity reversal, pay attention to the fuse (Fusing with max. 8 A F-fuse)

Connection data

Supply

Connection method	Screw connection
Stripping length	8 mm
Screw thread	M3
Conductor cross-section rigid	0.2 mm ² ... 2 mm ²
Conductor cross-section flexible	0.2 mm ² ... 2.5 mm ²
Conductor cross-section AWG	24 ... 12

EM-RS232-GATEWAY-IFS - Data interface



2901526

<https://www.phoenixcontact.com/us/products/2901526>

Programming connection

Connection method	S-PORT (socket)
Number of connections	1
Number of positions	12

INTERFACE system

Connection method	DIN rail bus connector
Number of connections	1
Number of positions	5

RS-232

Connection method	Screw connection
Number of connections	1
Number of positions	4

Interfaces

Data: Network interface

Communication protocol	RS-232
Connection method	Screw connection
Number of connections	1
Number of positions	4

Data: Service interface

Communication protocol	Interface-System
Connection method	S-PORT (socket)
Number of connections	1
Number of positions	12

Data: Device bus

Communication protocol	Interface-System
Connection method	DIN rail bus connector
Number of connections	1
Number of positions	5
Transmission speed	76.8 kbps

Dimensions

Width	22.5 mm
Height	99 mm
Depth	114.5 mm

Material specifications

Color	green (RAL 6021)
Housing material	Polyamide PA non-reinforced

Environmental and real-life conditions

EM-RS232-GATEWAY-IFS - Data interface



2901526

<https://www.phoenixcontact.com/us/products/2901526>

Ambient conditions

Degree of protection	IP20
Ambient temperature (operation)	-25 °C ... 50 °C
Ambient temperature (storage/transport)	-35 °C ... 80 °C

Standards and regulations

Standards/regulations	EN 50178
-----------------------	----------

Mounting

Mounting type	DIN rail mounting
Assembly note	in rows with zero spacing
Mounting position	any

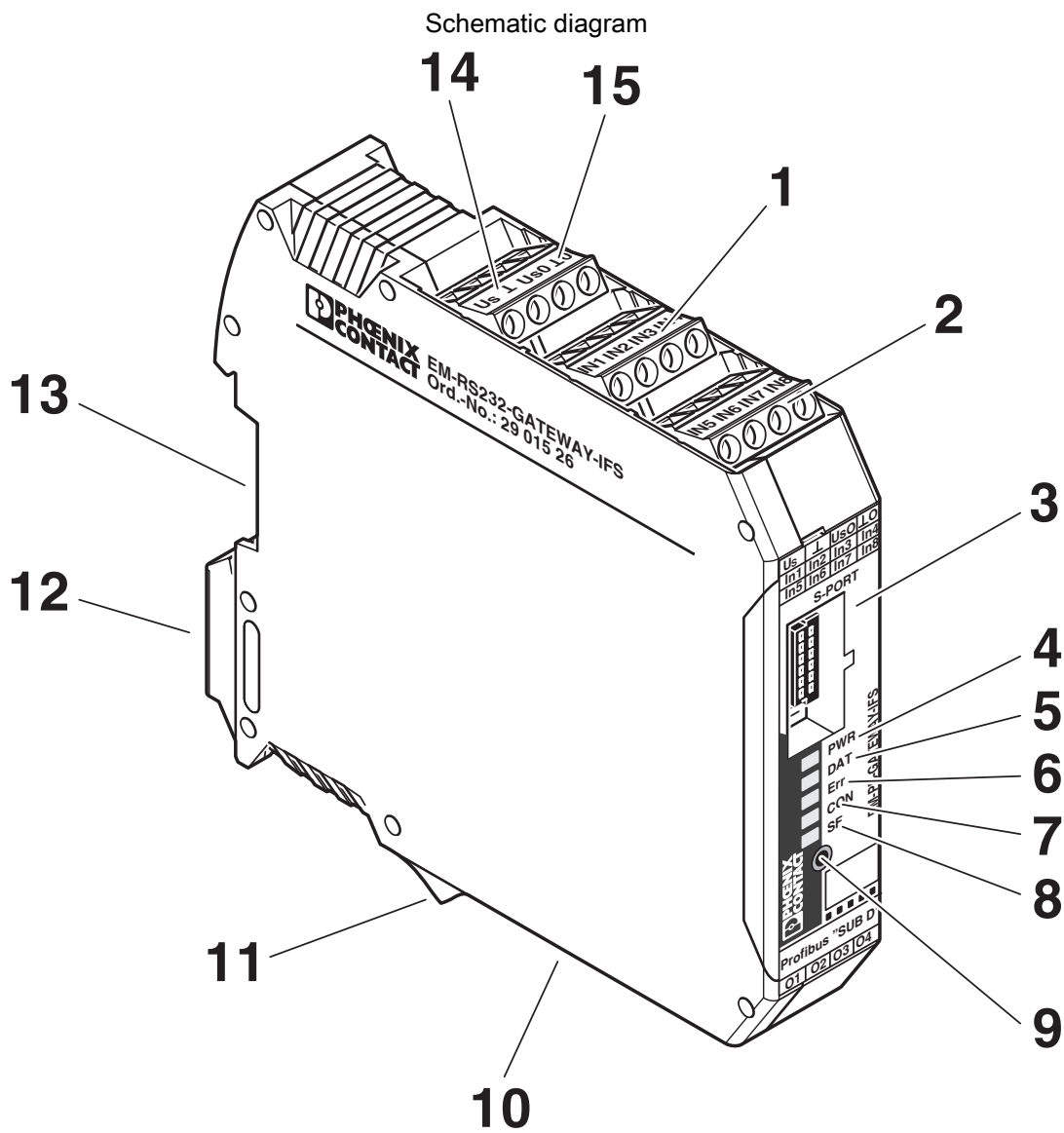
EM-RS232-GATEWAY-IFS - Data interface



2901526

<https://www.phoenixcontact.com/us/products/2901526>

Drawings

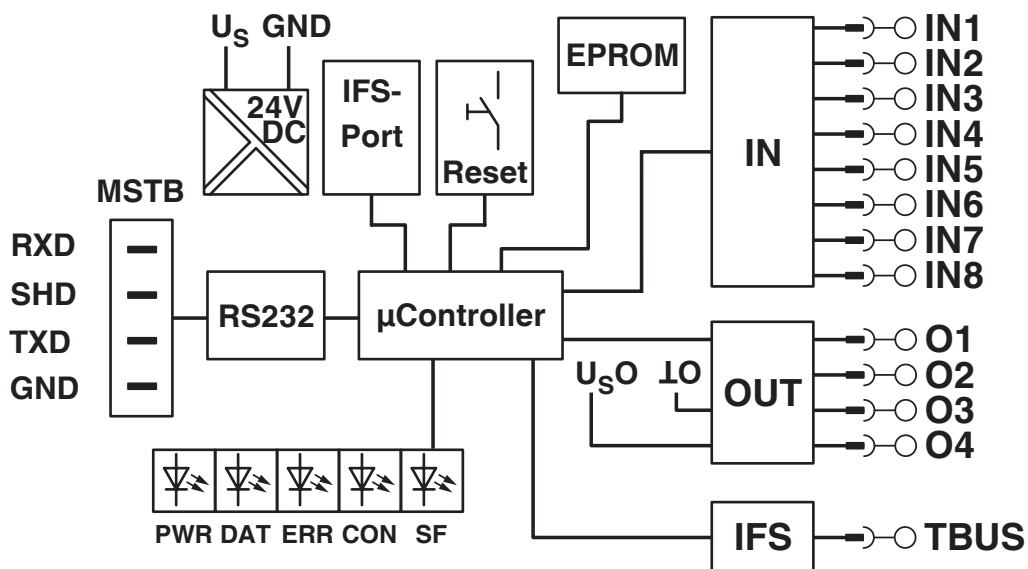


EM-RS232-GATEWAY-IFS - Data interface

2901526

<https://www.phoenixcontact.com/us/products/2901526>

Block diagram



2901526

<https://www.phoenixcontact.com/us/products/2901526>

Environmental product compliance

EU RoHS

Fulfills EU RoHS substance requirements	Yes
Exemption	7(a), 7(c)-I

China RoHS

Environment friendly use period (EFUP)	EFUP-50
	An article-related China RoHS declaration table can be found in the download area for the respective article under "Manufacturer declaration". For all articles with EFUP-E, no China RoHS declaration table issued and required.

EU REACH SVHC

REACH candidate substance (CAS No.)	Lead(CAS: 7439-92-1)
-------------------------------------	----------------------

Phoenix Contact 2026 © - all rights reserved
<https://www.phoenixcontact.com>

Phoenix Contact USA
586 Fulling Mill Road
Middletown, PA 17057, United States
(+717) 944-1300
info@phoenixcon.com