

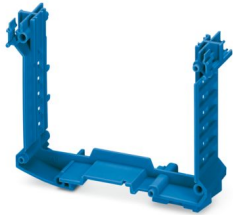
ME 45 UTM TBUS BU - Mounting base housing



2901521

<https://www.phoenixcontact.com/us/products/2901521>

Please be informed that the data shown in this PDF document is generated from our online catalog. Please find the complete data in the user documentation. Our general terms of use for downloads are valid.



Intermediate element, Lower housing part, tall design, width: 22.6 mm, height: 99 mm, depth: 74 mm, color: blue (similar RAL 5015)

Your advantages

- Can be mounted on the DIN rail
- With integrated or DIN-rail-mountable bus connector as an option

Commercial data

Item number	2901521
Packing unit	10 pc
Minimum order quantity	500 pc
Note	Made to order (non-returnable)
Product key	ACHAAZ
GTIN	4046356140539
Weight per piece (including packing)	19.55 g
Weight per piece (excluding packing)	13.451 g
Country of origin	DE

ME 45 UTM TBUS BU - Mounting base housing

2901521

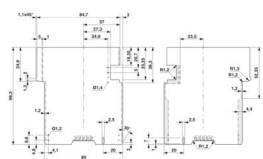
<https://www.phoenixcontact.com/us/products/2901521>

Technical data

Product properties

Product type	Component housing center part
Housing type	Intermediate element
Product family	ME UTM
Ventilation openings present	yes

Dimensions

Dimensional drawing	
Width	22.6 mm
Height	99 mm
Depth	74 mm
Depth from top edge of DIN rail	68.5 mm
Depth from top edge of DIN rail to support point on upper part	68.5 mm

Material specifications

Color	blue (RAL 5015)
Flammability rating according to UL 94	V0
Housing material	PA

Environmental and real-life conditions

Power dissipation single housing for 20 °C

Ambient temperature	20 °C
Reduction factor	1
Mounting position	vertical
Power dissipation	8.2 W

Power dissipation single housing for 30 °C

Ambient temperature	30 °C
Reduction factor	0.91
Mounting position	vertical
Power dissipation	7.5 W

Power dissipation single housing for 40 °C

Ambient temperature	40 °C
Reduction factor	0.81
Mounting position	vertical
Power dissipation	6.6 W

ME 45 UTM TBUS BU - Mounting base housing



2901521

<https://www.phoenixcontact.com/us/products/2901521>

Power dissipation single housing for 50 °C

Ambient temperature	50 °C
Reduction factor	0.7
Mounting position	vertical
Power dissipation	5.7 W

Power dissipation single housing for 60 °C

Ambient temperature	60 °C
Reduction factor	0.57
Mounting position	vertical
Power dissipation	4.7 W

Power dissipation single housing for 70 °C

Ambient temperature	70 °C
Reduction factor	0.49
Mounting position	vertical
Power dissipation	4 W

Ambient conditions

Max. IP code to attain	IP20
------------------------	------

PCB data

Type of PCB mount	Latching
-------------------	----------

Packaging specifications

Type of packaging	packed in cardboard
Outer packaging type	Carton

ME 45 UTM TBUS BU - Mounting base housing

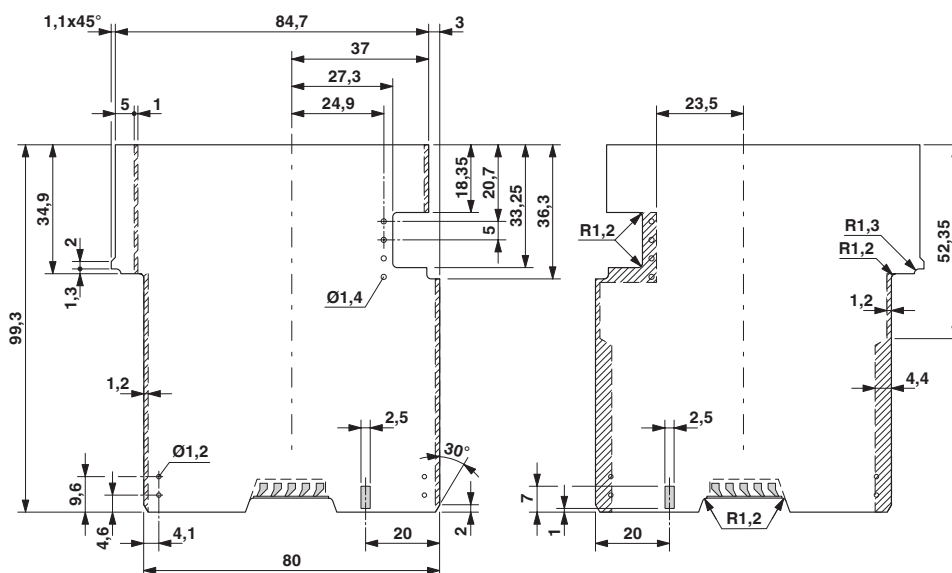


2901521

<https://www.phoenixcontact.com/us/products/2901521>

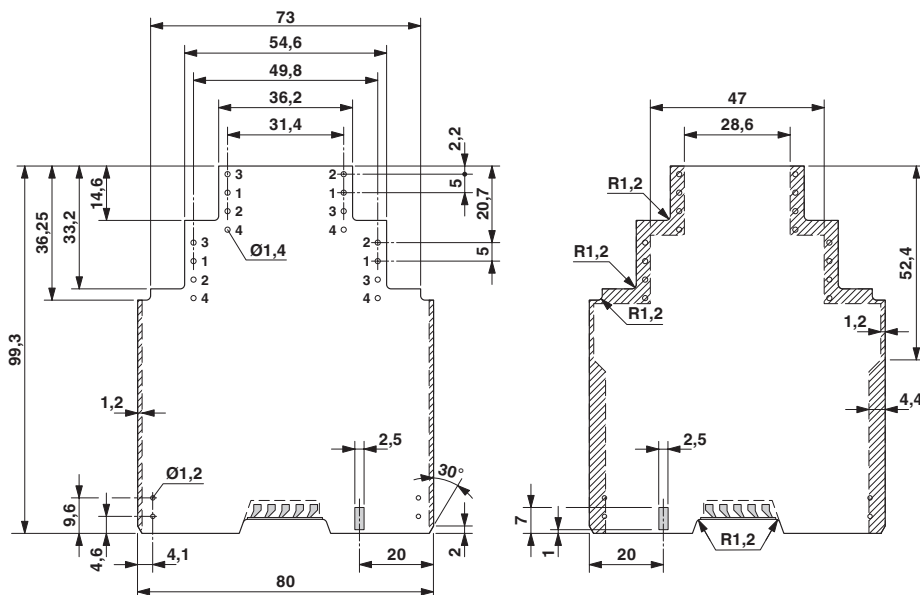
Drawings

Dimensional drawing



Dimensional drawing of the ME.../TBUS printed circuit board if the single level upper part is used

Dimensional drawing



Dimensional drawing of the ME.../TBUS printed circuit board if the double level upper part is used

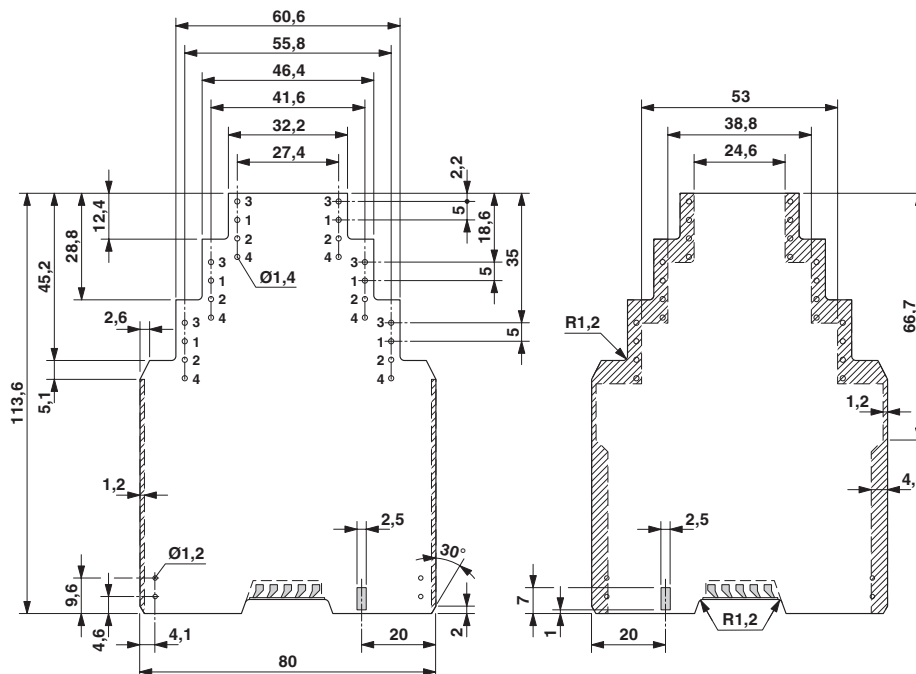
ME 45 UTM TBUS BU - Mounting base housing



2901521

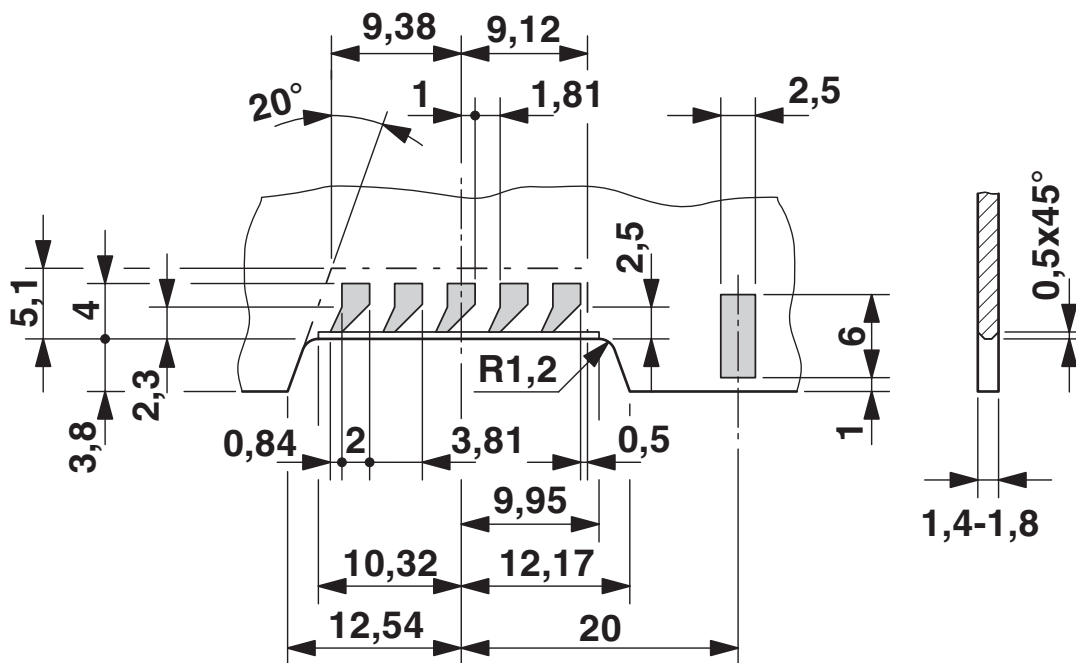
<https://www.phoenixcontact.com/us/products/2901521>

Dimensional drawing



Dimensional drawing of the ME.../TBUS... printed circuit board if the triple-level upper part is used

Dimensional drawing



Detailed dimensional drawing of the DIN rail connector contact pads

ME 45 UTM TBUS BU - Mounting base housing



2901521

<https://www.phoenixcontact.com/us/products/2901521>

Classifications

ECLASS

ECLASS-15.0	27190605
-------------	----------

ME 45 UTM TBUS BU - Mounting base housing



2901521

<https://www.phoenixcontact.com/us/products/2901521>

Environmental product compliance

EU RoHS

Fulfills EU RoHS substance requirements	Yes, No exemptions
---	--------------------

China RoHS

Environment friendly use period (EFUP)	EFUP-E
	No hazardous substances above the limits

EU REACH SVHC

REACH candidate substance (CAS No.)	No substance above 0.1 wt%
-------------------------------------	----------------------------

Phoenix Contact 2026 © - all rights reserved
<https://www.phoenixcontact.com>

Phoenix Contact USA
586 Fulling Mill Road
Middletown, PA 17057, United States
(+717) 944-1300
info@phoenixcon.com