

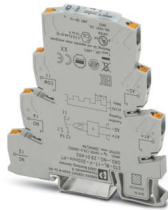
ETD-BL-1T-F-300MIN-PT - Timer relay



2901492

<https://www.phoenixcontact.com/us/products/2901492>

Please be informed that the data shown in this PDF document is generated from our online catalog. Please find the complete data in the user documentation. Our general terms of use for downloads are valid.



Timer relay with flasher function (beginning with pulse) and an adjustable time range (0.1 s - 10 s), with push-in connection

Commercial data

| | |
|--------------------------------------|--------------------------------|
| Item number | 2901492 |
| Packing unit | 1 pc |
| Note | Made to order (non-returnable) |
| Sales key | C442 |
| Product key | DK66ZZ |
| GTIN | 4046356599771 |
| Weight per piece (including packing) | 66.2 g |
| Weight per piece (excluding packing) | 50.9 g |
| Customs tariff number | 85364900 |
| Country of origin | DE |

ETD-BL-1T-F-300MIN-PT - Timer relay



2901492

<https://www.phoenixcontact.com/us/products/2901492>

Technical data

Product properties

| | |
|-------------------------|--------------------------------|
| Product type | Timer relay |
| Operating mode | 100% operating factor |
| Mechanical service life | approx. 2×10^7 cycles |

Insulation characteristics

| | |
|----------------------|------------------|
| Insulation | Basic insulation |
| Overvoltage category | III |
| Pollution degree | 2 |

Electrical properties

| | |
|--------------------------|---|
| Service life electrical | approx. 2×10^5 cycles at ohmic load, 1000 VA |
| Rated insulation voltage | 300 V AC |
| Rated surge voltage | 6 kV |

Input data

| | |
|----------------------|---|
| Input voltage range | 24 V DC (19.2 V DC ... 30 V DC) |
| Nominal current typ. | 15 mA (Relay ON) 7 mA (Relay OFF) |
| Function | F: Flashing beginning with pulse |
| Setting range time | 3 min ... 300 min |
| Setting accuracy | ≤ 2.5 % (of scale end value) |
| Repeat accuracy | ≤ 0.5 % (From the measuring range final value) |

Control

| | |
|----------------------|------------|
| Control pulse length | min. 50 ms |
|----------------------|------------|

Output data

Switching

| | |
|---------------------------------------|---|
| Contact switching type | 1 floating changeover contact |
| Interrupting rating (ohmic load) max. | 1125 VA (4.5 A/250 V AC, module mounted in rows, spacing ≤ 5 mm) |
| Output fuse | 6.3 A (fast-blow) |

Connection data

| | |
|----------------------------------|--|
| Connection method | Push-in connection |
| Stripping length | 8 mm |
| Conductor cross-section rigid | 0.14 mm ² ... 2.5 mm ² |
| Conductor cross-section flexible | 0.14 mm ² ... 2.5 mm ² |
| Conductor cross-section AWG | 26 ... 14 |

Signaling

| | |
|----------------|-------------------|
| Status display | Green LED (POWER) |
|----------------|-------------------|

ETD-BL-1T-F-300MIN-PT - Timer relay



2901492

<https://www.phoenixcontact.com/us/products/2901492>

| | |
|--|---------------------------|
| | Yellow LED (relay active) |
|--|---------------------------|

Dimensions

| | |
|--------|--------|
| Width | 6.2 mm |
| Height | 80 mm |
| Depth | 86 mm |

Material specifications

| | |
|--|----------------------------------|
| Color | gray (RAL 7042) |
| Flammability rating according to UL 94 | V0 |
| Housing insulation material | Polyamide PA, self-extinguishing |

Environmental and real-life conditions

Ambient conditions

| | |
|---|------------------|
| Degree of protection | IP20 |
| Ambient temperature (operation) | -20 °C ... 65 °C |
| Ambient temperature (storage/transport) | -25 °C ... 80 °C |
| Permissible humidity (operation) | 15 % ... 85 % |

Approvals

CE

| | |
|-------------|--------------|
| Certificate | CE-compliant |
|-------------|--------------|

UKCA

| | |
|-------------|----------------|
| Certificate | UKCA-compliant |
|-------------|----------------|

ATEX

| | |
|----------------|-------------------------|
| Identification | ⊕ II 3 G Ex nAC II T4 X |
|----------------|-------------------------|

UL, USA/Canada

| | |
|----------------|-----------------------|
| Identification | UL/C-UL Listed UL 508 |
|----------------|-----------------------|

EMC data

| | |
|-------------------------------|--|
| Electromagnetic compatibility | Conformance with EMC directive |
| Low Voltage Directive | Conformance with Low Voltage Directive |
| Noise immunity | EN 61000-6-2 |

Noise emission

| | |
|-----------------------|--------------|
| Standards/regulations | EN 61000-6-4 |
|-----------------------|--------------|

Standards and regulations

| | |
|-----------------------|----------|
| Standards/regulations | EN 50178 |
|-----------------------|----------|

Mounting

| | |
|---------------|--|
| Mounting type | DIN rail mounting |
| Assembly note | on standard DIN rail NS 35 in accordance with EN 60715 |

ETD-BL-1T-F-300MIN-PT - Timer relay



2901492

<https://www.phoenixcontact.com/us/products/2901492>

Mounting position

any

ETD-BL-1T-F-300MIN-PT - Timer relay

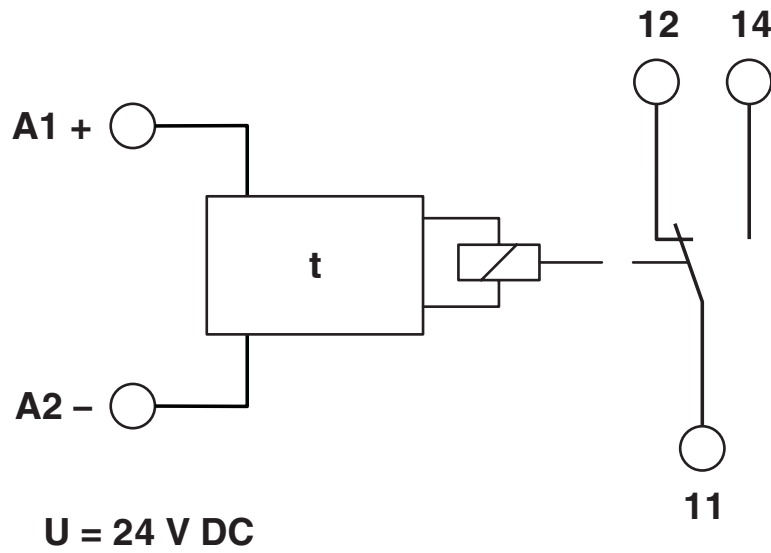
2901492

<https://www.phoenixcontact.com/us/products/2901492>



Drawings

Block diagram



ETD-BL-1T-F-300MIN-PT - Timer relay



2901492

<https://www.phoenixcontact.com/us/products/2901492>

Classifications

UNSPSC

| | |
|-------------|----------|
| UNSPSC 21.0 | 39122329 |
|-------------|----------|

ETD-BL-1T-F-300MIN-PT - Timer relay



2901492

<https://www.phoenixcontact.com/us/products/2901492>

Environmental product compliance

EU RoHS

| | |
|---|--------------|
| Fulfills EU RoHS substance requirements | Yes |
| Exemption | 7(a), 7(c)-I |

China RoHS

| | |
|--|---|
| Environment friendly use period (EFUP) | EFUP-50 |
| | An article-related China RoHS declaration table can be found in the download area for the respective article under "Manufacturer declaration". For all articles with EFUP-E, no China RoHS declaration table issued and required. |

EU REACH SVHC

| | |
|-------------------------------------|----------------------|
| REACH candidate substance (CAS No.) | Lead(CAS: 7439-92-1) |
|-------------------------------------|----------------------|

Phoenix Contact 2026 © - all rights reserved
<https://www.phoenixcontact.com>

Phoenix Contact USA
586 Fulling Mill Road
Middletown, PA 17057, United States
(+717) 944-1300
info@phoenixcon.com