

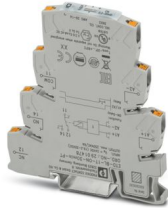
# ETD-BL-1T-ON- 30MIN-PT - Timer relay



2901478

<https://www.phoenixcontact.com/us/products/2901478>

Please be informed that the data shown in this PDF document is generated from our online catalog. Please find the complete data in the user documentation. Our general terms of use for downloads are valid.



Timer relay with switch-on delay (voltage-controlled) and an adjustable time range (0.3 min - 30 min), with push-in connection

## Commercial data

Item number	2901478
Packing unit	1 pc
Note	Made to order (non-returnable)
Sales key	C442
Product key	DK66ZZ
GTIN	4046356599269
Weight per piece (including packing)	65.7 g
Weight per piece (excluding packing)	50.9 g
Customs tariff number	85364190
Country of origin	DE

# ETD-BL-1T-ON- 30MIN-PT - Timer relay



2901478

<https://www.phoenixcontact.com/us/products/2901478>

## Technical data

### Product properties

Product type	Timer relay
Operating mode	100% operating factor
Mechanical service life	approx. $2 \times 10^7$ cycles

### Insulation characteristics

Insulation	Basic insulation
Overvoltage category	III
Pollution degree	2

### Electrical properties

Service life electrical	approx. $2 \times 10^5$ cycles at ohmic load, 1000 VA
Rated insulation voltage	300 V AC
Rated surge voltage	6 kV

### Input data

Input voltage range	24 V DC (19.2 V DC ... 30 V DC)
Nominal current typ.	15 mA (Relay ON) 7 mA (Relay OFF)
Function	ON: With switch-on delay
Response delay function	no
Setting range time	0.3 min ... 30 min
Setting accuracy	$\leq 2.5$ % (of scale end value)
Repeat accuracy	$\leq 0.5$ % (From the measuring range final value)

### Control

Control pulse length	min. 50 ms
----------------------	------------

### Output data

#### Switching

Contact switching type	1 floating changeover contact
Output fuse	6.3 A (fast-blow)

### Connection data

Connection method	Push-in connection
Stripping length	8 mm
Conductor cross-section rigid	0.14 mm <sup>2</sup> ... 2.5 mm <sup>2</sup>
Conductor cross-section flexible	0.14 mm <sup>2</sup> ... 2.5 mm <sup>2</sup>
Conductor cross-section AWG	26 ... 14

### Signaling

Status display	Green LED (POWER)
----------------	-------------------

# ETD-BL-1T-ON- 30MIN-PT - Timer relay



2901478

<https://www.phoenixcontact.com/us/products/2901478>

	Yellow LED (relay active)
--	---------------------------

## Dimensions

Width	6.2 mm
Height	80 mm
Depth	86 mm

## Material specifications

Color	gray (RAL 7042)
Flammability rating according to UL 94	V0
Housing insulation material	Polyamide PA, self-extinguishing

## Environmental and real-life conditions

### Ambient conditions

Degree of protection	IP20
Ambient temperature (operation)	-20 °C ... 65 °C
Ambient temperature (storage/transport)	-25 °C ... 80 °C
Permissible humidity (operation)	15 % ... 85 %

## Approvals

### CE

Certificate	CE-compliant
-------------	--------------

### UKCA

Certificate	UKCA-compliant
-------------	----------------

### ATEX

Identification	⊕ II 3 G Ex nAC II T4 X
----------------	-------------------------

### UL, USA/Canada

Identification	UL/C-UL Listed UL 508
----------------	-----------------------

## EMC data

Electromagnetic compatibility	Conformance with EMC directive
Low Voltage Directive	Conformance with Low Voltage Directive
Noise immunity	EN 61000-6-2

### Noise emission

Standards/regulations	EN 61000-6-4
-----------------------	--------------

## Standards and regulations

Standards/regulations	EN 50178
-----------------------	----------

## Mounting

Mounting type	DIN rail mounting
Assembly note	on standard DIN rail NS 35 in accordance with EN 60715

# ETD-BL-1T-ON- 30MIN-PT - Timer relay



2901478

<https://www.phoenixcontact.com/us/products/2901478>

Mounting position

any

# ETD-BL-1T-ON- 30MIN-PT - Timer relay

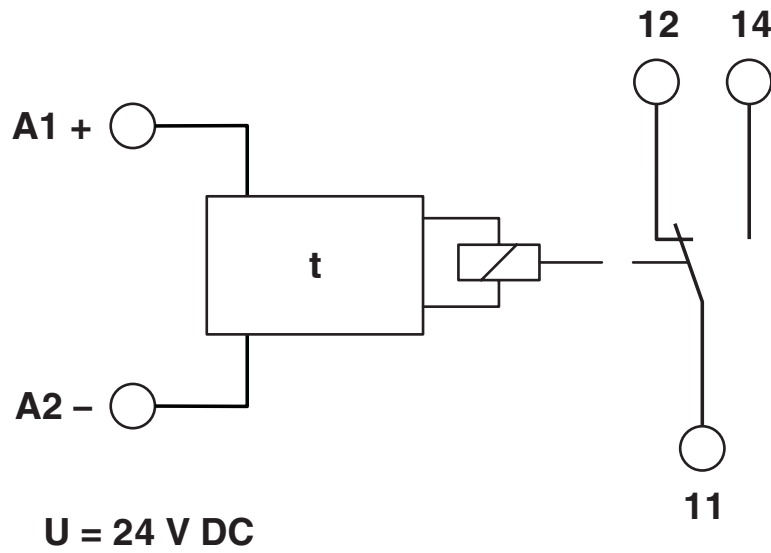
2901478

<https://www.phoenixcontact.com/us/products/2901478>



## Drawings

Block diagram



# ETD-BL-1T-ON- 30MIN-PT - Timer relay



2901478

<https://www.phoenixcontact.com/us/products/2901478>

## Classifications

### UNSPSC

UNSPSC 21.0	39122329
-------------	----------

# ETD-BL-1T-ON- 30MIN-PT - Timer relay



2901478

<https://www.phoenixcontact.com/us/products/2901478>

## Environmental product compliance

### EU RoHS

Fulfills EU RoHS substance requirements	Yes
Exemption	7(a), 7(c)-I

### China RoHS

Environment friendly use period (EFUP)	EFUP-50
	An article-related China RoHS declaration table can be found in the download area for the respective article under "Manufacturer declaration". For all articles with EFUP-E, no China RoHS declaration table issued and required.

### EU REACH SVHC

REACH candidate substance (CAS No.)	Lead(CAS: 7439-92-1)
-------------------------------------	----------------------

Phoenix Contact 2026 © - all rights reserved  
<https://www.phoenixcontact.com>

Phoenix Contact USA  
586 Fulling Mill Road  
Middletown, PA 17057, United States  
(+717) 944-1300  
[info@phoenixcon.com](mailto:info@phoenixcon.com)