

# PSR-SCP- 60UC/ESAM4/3X1/1X2/B - Safety relays



2901426

<https://www.phoenixcontact.com/us/products/2901426>

Please be informed that the data shown in this PDF document is generated from our online catalog. Please find the complete data in the user documentation. Our general terms of use for downloads are valid.



The figure shows the 60 V version

Safety relay for emergency stop and safety door monitoring up to SIL 3 or Cat. 4, PL e in accordance with EN ISO 13849, single- or two-channel operation, 3 enabling current paths, nominal input voltage: 60 V AC/DC, plug-in screw terminal blocks.

## Your advantages

- Up to Cat. 4/PL e in accordance with EN ISO 13849-1, SIL 3 in accordance with EN IEC 62061, SIL 3 in accordance with IEC 61508
- Manually monitored and automatic activation in a single device
- Basic insulation
- 1- and 2-channel control
- 3 enabling current paths, 1 signaling current path

## Commercial data

Item number	2901426
Packing unit	1 pc
Note	Made to order (non-returnable)
Sales key	DN01
Product key	DNA114
GTIN	4046356592048
Weight per piece (including packing)	242 g
Weight per piece (excluding packing)	99.9 g
Customs tariff number	85371098
Country of origin	DE

## Technical data

### Notes

#### Utilization restriction

EMC note	EMC: class A product, see manufacturer's declaration in the download area
----------	---

### Product properties

Product type	Safety relays
Product family	PSRclassic
Application	Emergency stop Safety door
Control	1 and 2 channel
Mechanical service life	approx. $10^7$ cycles
Relay type	Electromechanical relay with force-guided contacts in accordance with IEC/EN 61810-3

#### Insulation characteristics: Air clearances and creepage distances between the power circuits

Overvoltage category	III
Degree of pollution	2

### Electrical properties

Maximum power dissipation for nominal condition	4.56 W
Nominal operating mode	100% operating factor

#### Air clearances and creepage distances between the power circuits

Rated insulation voltage	250 V AC
Rated surge voltage/insulation	4 kV / basic insulation (safe isolation, reinforced insulation, and 6 kV between A1-A2/logic/enabling and signaling current paths)

### Input data

#### General

Nominal input voltage $U_N$	60 V AC/DC
Input voltage range in reference to $U_N$	0.85 ... 1.1
Typical input current at $U_N$	48 mA
Voltage at input/start and feedback circuit	~ 24 V DC
Typical response time	40 ms (man. start)
Typ. starting time with $U_s$	330 ms (when controlled via A1)
Typical release time	90 ms (when controlled via A1) 20 ms (when controlled via S11/S12 and S21/S22)
Concurrence	$\infty$
Recovery time	1 s
Maximum switching frequency	0.5 Hz
Protective circuit	Surge protection; Varistor 275 V <sub>RMS</sub> (A1-A2)

# PSR-SCP- 60UC/ESAM4/3X1/1X2/B - Safety relays



2901426

<https://www.phoenixcontact.com/us/products/2901426>

	Surge protection; Varistor
Max. permissible overall conductor resistance	50 Ω
Operating voltage display	Green LED
Status display	LED (green)

## Output data

Contact switching type	3 enabling current paths
	1 signaling current path
Contact material	AgSnO <sub>2</sub> , + 0.2 μm Au
Maximum switching voltage	250 V AC/DC
Minimum switching voltage	10 V AC/DC
Limiting continuous current	6 A (N/O contact)
	5 A (N/C contact)
Maximum inrush current	6 A
Inrush current, minimum	10 mA
Sq. Total current	$72 \text{ A}^2 (I_{\text{TH}}^2 = I_1^2 + I_2^2 + I_3^2)$
Interrupting rating (ohmic load) max.	144 W (24 V DC, τ = 0 ms)
	230 W (48 V DC, τ = 0 ms)
	68 W (110 V DC, τ = 0 ms)
	88 W (220 V DC, τ = 0 ms)
	2000 VA (250 V AC, τ = 0 ms)
Maximum interrupting rating (inductive load)	48 W (24 V DC, τ = 40 ms)
	40 W (48 V DC, τ = 40 ms)
	35 W (110 V DC, τ = 40 ms)
	33 W (220 V DC, τ = 40 ms)
Switching power min.	100 mW
Switching capacity (360/h cycles)	6 A (24 V DC)
	5 A (230 V AC)
Switching capacity (3600/h cycles)	3 A (24 V (DC13))
	3 A (230 V (AC 15))
Output fuse	10 A gL/gG NEOZED (N/O contact)
	6 A gL/gG NEOZED (N/C contact)

## Connection data

### Connection technology

pluggable	yes
-----------	-----

### Conductor connection

Connection method	Screw connection
Conductor cross-section, rigid	0.2 mm <sup>2</sup> ... 2.5 mm <sup>2</sup>
Conductor cross-section, flexible	0.2 mm <sup>2</sup> ... 2.5 mm <sup>2</sup>
Conductor cross-section AWG	24 ... 12

## Dimensions

# PSR-SCP- 60UC/ESAM4/3X1/1X2/B - Safety relays



2901426

<https://www.phoenixcontact.com/us/products/2901426>

Width	22.5 mm
Height	99 mm
Depth	114.5 mm

## Material specifications

Color	yellow
Housing material	PA

## Characteristics

### Safety data

Stop category (EN 60204-1)	0 (Undelayed contacts)
----------------------------	------------------------

### Safety data: EN ISO 13849

Performance level (PL)	e
------------------------	---

### Safety data: EN 50156

Safety Integrity Level (SIL)	3
------------------------------	---

### Safety data: IEC 61508 - High demand

Safety Integrity Level (SIL)	3
------------------------------	---

### Safety data: IEC 61508 - Low demand

Safety Integrity Level (SIL)	3
------------------------------	---

### Safety data: EN IEC 62061

Safety Integrity Level (SIL)	3
------------------------------	---

## Environmental and real-life conditions

### Ambient conditions

Degree of protection	IP54 IP20
Min. degree of protection of inst. location	IP54
Ambient temperature (operation)	-25 °C ... 55 °C
Ambient temperature (storage/transport)	-40 °C ... 85 °C
Maximum altitude	≤ 2000 m (Above sea level)
Max. permissible humidity (storage/transport)	75 % (on average, 85% infrequently, non-condensing)
Max. permissible relative humidity (operation)	75 % (on average, 85% infrequently, non-condensing)
Shock	15g
Vibration (operation)	10 Hz ... 150 Hz, 2g

## Standards and regulations

### Air clearances and creepage distances between the power circuits

Standards/regulations	DIN EN 50178/VDE 0160
-----------------------	-----------------------

## Mounting

# PSR-SCP- 60UC/ESAM4/3X1/1X2/B - Safety relays



2901426

<https://www.phoenixcontact.com/us/products/2901426>

Mounting type	DIN rail mounting
Mounting position	any

# PSR-SCP- 60UC/ESAM4/3X1/1X2/B - Safety relays

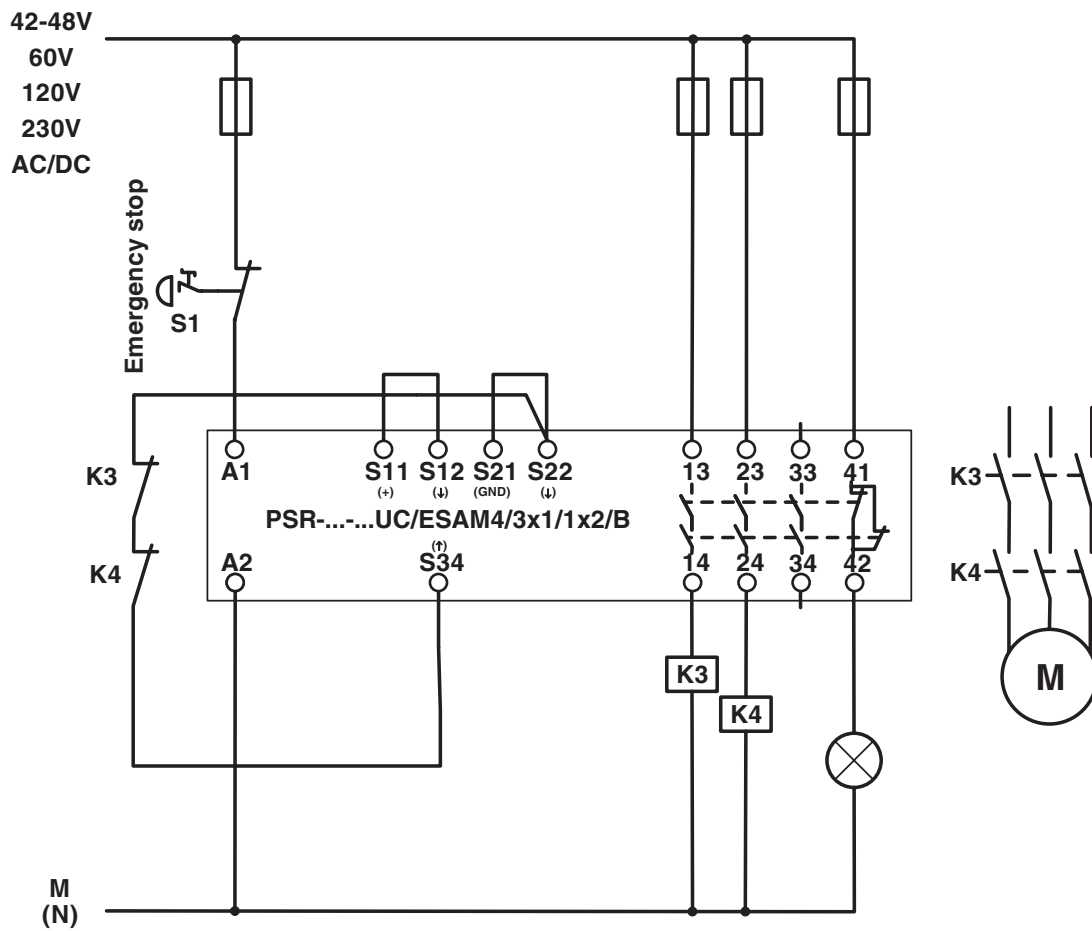


2901426

<https://www.phoenixcontact.com/us/products/2901426>

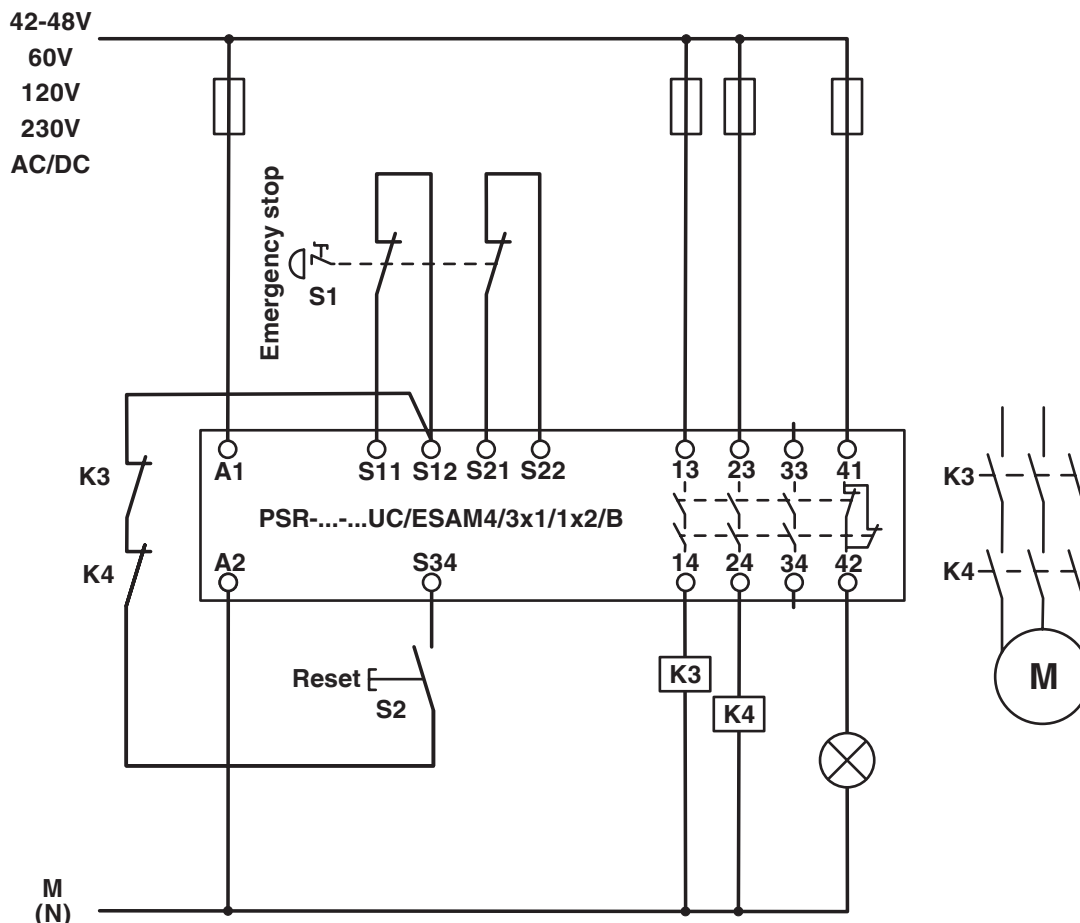
## Drawings

Application drawing



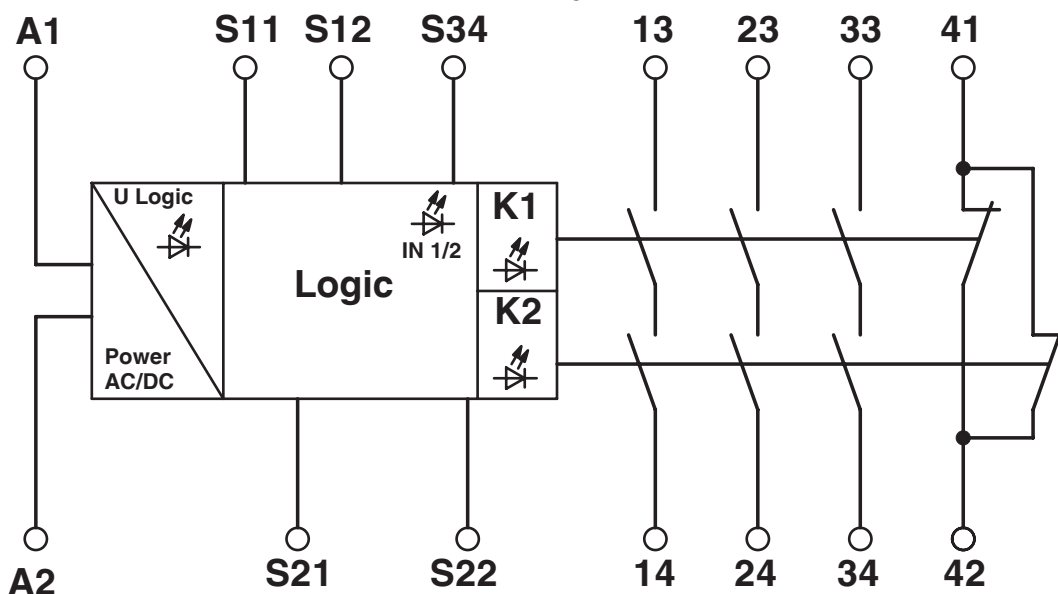
Single-channel emergency stop monitoring

Application drawing



2-channel emergency stop monitoring

Circuit diagram



Block diagram

# PSR-SCP- 60UC/ESAM4/3X1/1X2/B - Safety relays



2901426

<https://www.phoenixcontact.com/us/products/2901426>

## Environmental product compliance

EU REACH SVHC

REACH candidate substance (CAS No.)	
-------------------------------------	--

	No substance above 0.1 wt%
--	----------------------------

Phoenix Contact 2026 © - all rights reserved

<https://www.phoenixcontact.com>

Phoenix Contact USA  
586 Fulling Mill Road  
Middletown, PA 17057, United States  
(+717) 944-1300  
[info@phoenixcon.com](mailto:info@phoenixcon.com)