

VIP-PA-FLK14/S/ 8,0M/S7/SC019 - Front adapter



2901156

<https://www.phoenixcontact.com/us/products/2901156>

Please be informed that the data shown in this PDF document is generated from our online catalog. Please find the complete data in the user documentation. Our general terms of use for downloads are valid.



VIP VARIOFACE front adapter, with connected shielded system cables for SIMATIC S7-300, 2 x 8 channels can be connected, cable length: 8 m

Commercial data

| | |
|--------------------------------------|---------------|
| Item number | 2901156 |
| Packing unit | 1 pc |
| Minimum order quantity | 20 pc |
| Product key | DK2AZZ |
| GTIN | 4046356574693 |
| Weight per piece (including packing) | 1,366 g |
| Weight per piece (excluding packing) | 1,366 g |
| Country of origin | DE |

2901156

<https://www.phoenixcontact.com/us/products/2901156>

Technical data

Product properties

| | |
|--------------|---------------|
| Product type | Front adapter |
|--------------|---------------|

Electrical properties

| | |
|------------------------------------|----------------|
| Max. permissible operating voltage | < 50 V AC |
| | 60 V DC |
| Max. permissible current | 1 A (per path) |
| Rated surge voltage | 0.8 kV |

Connection data

Control side

| | |
|-------------------|---|
| Connection method | Plug-in connection |
| Note | Can be plugged onto 20-pos. I/O modules |

Field level

| | |
|-----------------------|----------------------|
| Connection method | IDC/FLK socket strip |
| Number of connections | 2 |
| Number of positions | 14 |
| Pitch | 2.54 mm |

Supply

| | |
|----------------------------------|---|
| Connection method | Push-in connection |
| Stripping length | 10 mm |
| Conductor cross-section rigid | 0.2 mm ² ... 2.5 mm ² |
| Conductor cross-section flexible | 0.2 mm ² ... 2.5 mm ² |
| Conductor cross-section AWG | 24 ... 14 |

Dimensions

Cable

| | |
|--------|-----|
| Length | 8 m |
|--------|-----|

Cable/line

50X0.14 [PVC]

| | |
|---------------------------------|--------------------------------|
| UL AWM Style | 2464/1061 |
| Number of positions | 50 |
| Shielded | yes |
| Cable type | 50X0.14 [PVC] |
| Conductor type | Assembled shielded round cable |
| Conductor structure signal line | 7x 0.16 mm |
| AWG signal line | 26 |
| Conductor cross-section | 50x 0.14 mm ² |

VIP-PA-FLK14/S/ 8,0M/S7/SC019 - Front adapter



2901156

<https://www.phoenixcontact.com/us/products/2901156>

| | |
|---|---|
| Wire diameter incl. insulation | 1 mm ±0.03 mm |
| External cable diameter | 11.00 mm ±0.3 mm |
| Outer sheath, material | Semi-rigid PVC |
| External sheath, color | gray |
| Conductor material | Tin-plated Cu litz wires |
| Cable resistance | ≤ 145 Ω/km (at 20 °C) |
| Insulation resistance | ≥ 20 MΩ*km (20 °C) |
| Smallest bending radius, fixed installation | 114 mm |
| Smallest bending radius, movable installation | 205 mm |
| Dynamic load capacity (bending) | Max. bending cycles: 5000 (at a radius of ≥ 18x outside diameter) |
| Halogen-free | no |
| Flame resistance | IEC 60332-1-2 (raw cable) |
| | VDE 0842, Part 332-1-2 (raw cable) |
| | IEC 60332-3-22 (raw cable) |
| | UL VW-1 |
| | CSA FT-1 |
| Resistance to oil | can withstand occasional splashes (raw cable) |

Environmental and real-life conditions

Ambient conditions

| | |
|---------------------------------|------------------|
| Ambient temperature (operation) | -20 °C ... 50 °C |
|---------------------------------|------------------|

Standards and regulations

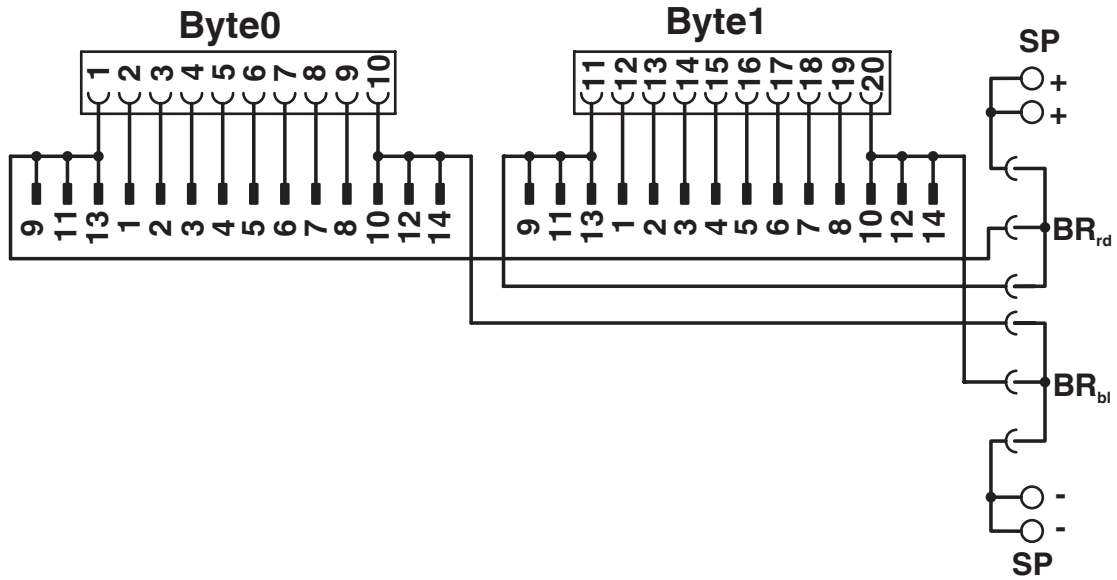
| | |
|-----------------------|--------------|
| Standards/regulations | DIN EN 50178 |
| | IEC 60664 |

Notes

| | |
|--------------------|--|
| Notes on operation | For proper use, the specifications of the installation directive (see Downloads) must be observed. For applications or use with third-party products, the specifications, and the safety and warning instructions of the respective third-party manufacturer must also be met. |
|--------------------|--|

Drawings

Circuit diagram



VIP-PA-FLK14/S/ 8,0M/S7/SC019 - Front adapter



2901156

<https://www.phoenixcontact.com/us/products/2901156>

Classifications

ECLASS

ECLASS-13.0

27242292

2901156

<https://www.phoenixcontact.com/us/products/2901156>

Environmental product compliance

China RoHS

| | |
|--|---|
| Environment friendly use period (EFUP) | EFUP-50 |
| | An article-related China RoHS declaration table can be found in the download area for the respective article under "Manufacturer declaration". For all articles with EFUP-E, no China RoHS declaration table issued and required. |

EU REACH SVHC

| | |
|-------------------------------------|----------------------------|
| REACH candidate substance (CAS No.) | No substance above 0.1 wt% |
|-------------------------------------|----------------------------|

Phoenix Contact 2026 © - all rights reserved
<https://www.phoenixcontact.com>

Phoenix Contact USA
586 Fulling Mill Road
Middletown, PA 17057, United States
(+717) 944-1300
info@phoenixcon.com