

VIP-PA-FLK14/S/ 3,0M/S7/SC019 - Front adapter



2901155

<https://www.phoenixcontact.com/us/products/2901155>

Please be informed that the data shown in this PDF document is generated from our online catalog. Please find the complete data in the user documentation. Our general terms of use for downloads are valid.



VIP VARIOFACE front adapter, with connected shielded system cables for SIMATIC S7-300, 2 x 8 channels can be connected, cable length: 3 m

Commercial data

Item number	2901155
Packing unit	1 pc
Minimum order quantity	20 pc
Product key	DK2AZZ
GTIN	4046356574686
Weight per piece (including packing)	613 g
Weight per piece (excluding packing)	450.6 g
Country of origin	DE

2901155

<https://www.phoenixcontact.com/us/products/2901155>

Technical data

Product properties

Product type	Front adapter
--------------	---------------

Electrical properties

Max. permissible operating voltage	< 50 V AC
	60 V DC
Max. permissible current	1 A (per path)
Rated surge voltage	0.8 kV

Connection data

Control side

Connection method	Plug-in connection
Note	Can be plugged onto 20-pos. I/O modules

Field level

Connection method	IDC/FLK socket strip
Number of connections	2
Number of positions	14
Pitch	2.54 mm

Supply

Connection method	Push-in connection
Stripping length	10 mm
Conductor cross-section rigid	0.2 mm ² ... 2.5 mm ²
Conductor cross-section flexible	0.2 mm ² ... 2.5 mm ²
Conductor cross-section AWG	24 ... 14

Dimensions

Cable

Length	3 m
--------	-----

Cable/line

50X0.14 [PVC]

UL AWM Style	2464/1061
Number of positions	50
Shielded	yes
Cable type	50X0.14 [PVC]
Conductor type	Assembled shielded round cable
Conductor structure signal line	7x 0.16 mm
AWG signal line	26
Conductor cross-section	50x 0.14 mm ²

VIP-PA-FLK14/S/ 3,0M/S7/SC019 - Front adapter



2901155

<https://www.phoenixcontact.com/us/products/2901155>

Wire diameter incl. insulation	1 mm ±0.03 mm
External cable diameter	11.00 mm ±0.3 mm
Outer sheath, material	Semi-rigid PVC
External sheath, color	gray
Conductor material	Tin-plated Cu litz wires
Cable resistance	≤ 145 Ω/km (at 20 °C)
Insulation resistance	≥ 20 MΩ*km (20 °C)
Smallest bending radius, fixed installation	114 mm
Smallest bending radius, movable installation	205 mm
Dynamic load capacity (bending)	Max. bending cycles: 5000 (at a radius of ≥ 18x outside diameter)
Halogen-free	no
Flame resistance	IEC 60332-1-2 (raw cable)
	VDE 0842, Part 332-1-2 (raw cable)
	IEC 60332-3-22 (raw cable)
	UL VW-1
	CSA FT-1
Resistance to oil	can withstand occasional splashes (raw cable)

Environmental and real-life conditions

Ambient conditions

Ambient temperature (operation)	-20 °C ... 50 °C
---------------------------------	------------------

Standards and regulations

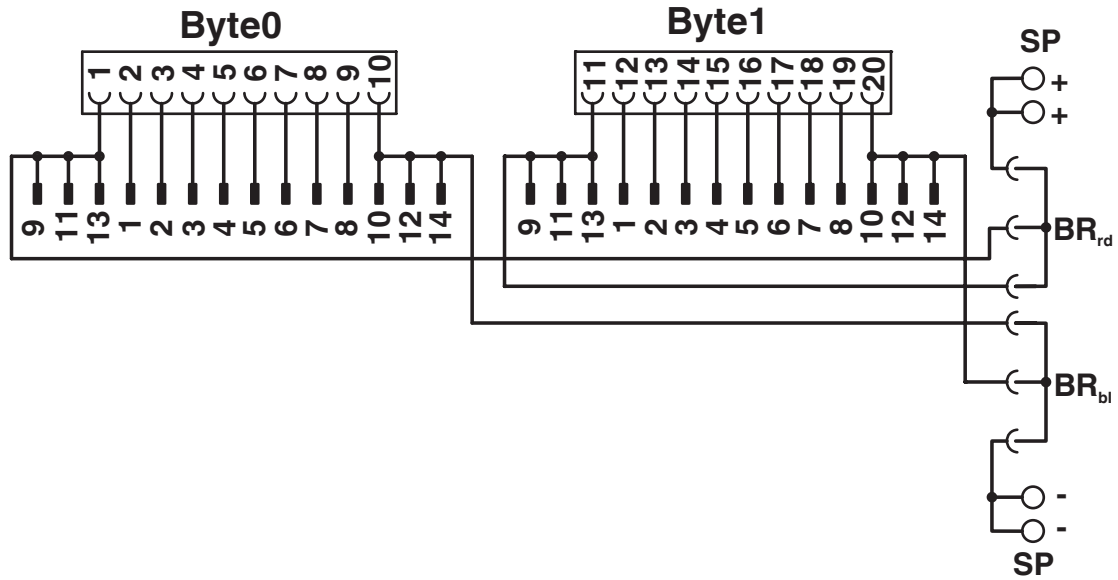
Standards/regulations	DIN EN 50178
	IEC 60664

Notes

Notes on operation	For proper use, the specifications of the installation directive (see Downloads) must be observed. For applications or use with third-party products, the specifications, and the safety and warning instructions of the respective third-party manufacturer must also be met.
--------------------	--

Drawings

Circuit diagram



VIP-PA-FLK14/S/ 3,0M/S7/SC019 - Front adapter



2901155

<https://www.phoenixcontact.com/us/products/2901155>

Classifications

ECLASS

ECLASS-13.0	27242292
-------------	----------

2901155

<https://www.phoenixcontact.com/us/products/2901155>

Environmental product compliance

China RoHS

Environment friendly use period (EFUP)	EFUP-50
	An article-related China RoHS declaration table can be found in the download area for the respective article under "Manufacturer declaration". For all articles with EFUP-E, no China RoHS declaration table issued and required.

EU REACH SVHC

REACH candidate substance (CAS No.)	No substance above 0.1 wt%
-------------------------------------	----------------------------

Phoenix Contact 2026 © - all rights reserved
<https://www.phoenixcontact.com>

Phoenix Contact USA
586 Fulling Mill Road
Middletown, PA 17057, United States
(+717) 944-1300
info@phoenixcon.com