

UM- 8RM/KSR-G24/21/MS/SI/PLC - Active module



2900893

<https://www.phoenixcontact.com/us/products/2900893>

Please be informed that the data shown in this PDF document is generated from our online catalog. Please find the complete data in the user documentation. Our general terms of use for downloads are valid.

VARIOFACE output module, with 8 miniature relays, 1 changeover contact with lockable manual actuation and fuse each, plugged, for 24 V DC (incl. relay)



Your advantages

- Slim overall width of just 127 mm
- Polarity protection diode
- Supply voltage indicator (LED)
- LED status indicator and freewheeling diode per signal path
- Fuse per output circuit as short-circuit protection
- Plug-in miniature relays each, with a changeover contact with or without lockable manual actuation

Commercial data

Item number	2900893
Packing unit	1 pc
Note	Made to order (non-returnable)
Sales key	C421
Product key	DK2191
GTIN	4046356545129
Weight per piece (including packing)	462 g
Weight per piece (excluding packing)	435 g
Customs tariff number	85369010
Country of origin	DE

Technical data

Product properties

Product type	Interface module
No. of channels	8
Operating mode	100% operating factor
Mechanical service life	5x 10 ⁶ cycles
With components	yes

Insulation characteristics: Air and creepage distances, output/output

Overvoltage category	III
Pollution degree	2

Electrical properties

Air and creepage distances, output/output

Rated insulation voltage	260 V AC
Rated surge voltage	4 kV (Basic insulation between output contact current paths) 6 kV (Safe isolation and reinforced insulation between input circuit and output contact paths)

Supported controller: MITSUBISHI MELSEC Q

Suitable I/O card	QY82P
-------------------	-------

Supported controller: MITSUBISHI MELSEC L

Suitable I/O card	LY41PT1P
	LY42PT1P

Input data

Nominal input voltage U_N	24 V DC
Input voltage range in reference to U_N	0.9 ... 1.1
Input voltage range	21.6 V DC ... 26.4 V DC
Typical input current at U_N	18 mA
Typical response time	9 ms
Typical release time	6 ms
Protective circuit	Free-wheeling diode (integrated in relay)
Operating voltage display	Green LED
Status display/channel	Yellow LED (integrated in relay)

Output data

Switching

Contact switching type	1 changeover contact
Type of switch contact	Single contact
Contact material	AgNi
Maximum switching voltage	250 V AC/DC

UM- 8RM/KSR-G24/21/MS/SI/PLC - Active module



2900893

<https://www.phoenixcontact.com/us/products/2900893>

Minimum switching voltage	12 V AC/DC
Limiting continuous current	3.9 A (observe derating)
Min. switching current	10 mA
Interrupting rating (ohmic load) max.	93 W (24 V DC)
	62 W (48 V DC)
	42 W (60 V DC)
	55 W (110 V DC)
	66 W (220 V DC)
	975 VA (250 V AC)
Output fuse	4 A 5x20 fuse (slow-blow)

Connection data

Controller level

Connection method	IDC/FLK pin strip
Number of connections	1
Number of positions	14
Pitch	2.54 mm

Field level

Connection method	Screw connection
Stripping length	8 mm
Screw thread	M3
Conductor cross-section rigid	0.2 mm ² ... 4 mm ²
Conductor cross-section flexible	0.2 mm ² ... 2.5 mm ²
Conductor cross-section AWG	24 ... 12

Supply

Connection method	Screw connection
Stripping length	8 mm
Screw thread	M3
Number of connections	2
Conductor cross-section rigid	0.2 mm ² ... 4 mm ²
Conductor cross-section flexible	0.2 mm ² ... 2.5 mm ²
Conductor cross-section AWG	24 ... 12

Signaling

Status display present	yes
------------------------	-----

Dimensions

Width	127 mm
Height	112 mm
Depth	62 mm

Material specifications

Color	green (RAL 6021)
-------	------------------

2900893

<https://www.phoenixcontact.com/us/products/2900893>

Environmental and real-life conditions

Ambient conditions

Degree of protection	IP00
Ambient temperature (operation)	-20 °C ... 50 °C
Ambient temperature (storage/transport)	-20 °C ... 70 °C

Standards and regulations

Air and creepage distances, output/output

Standards/regulations	DIN EN 50178
	IEC 60664

Mounting

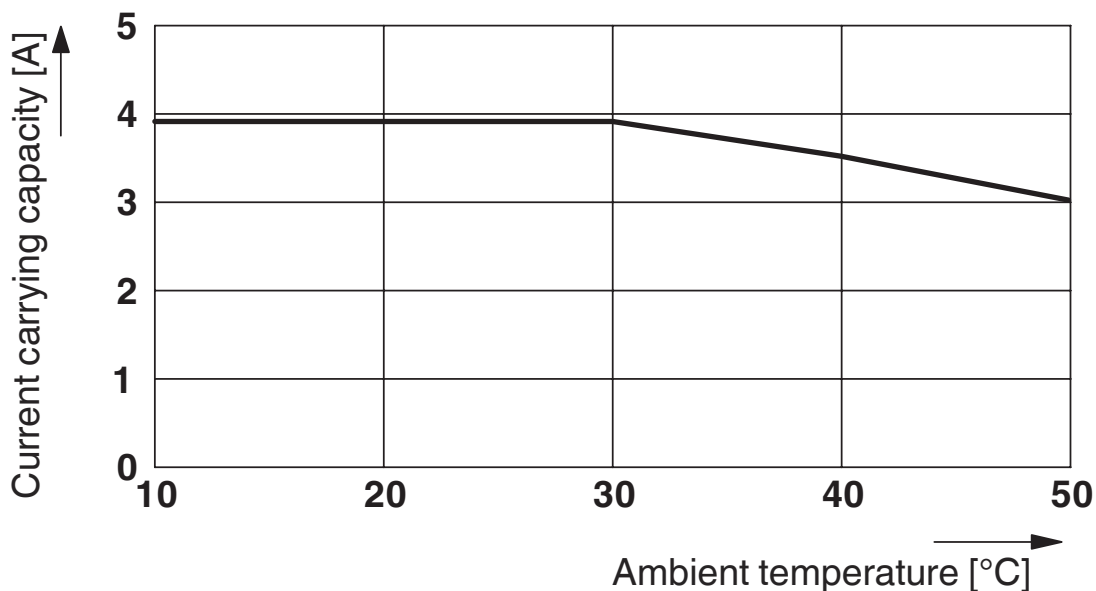
Mounting type	DIN rail mounting
Assembly note	in rows with zero spacing
Mounting position	any

Notes

Notes on operation	For proper use, the specifications of the installation directive (see Downloads) must be observed. For applications or use with third-party products, the specifications, and the safety and warning instructions of the respective third-party manufacturer must also be met.
--------------------	--

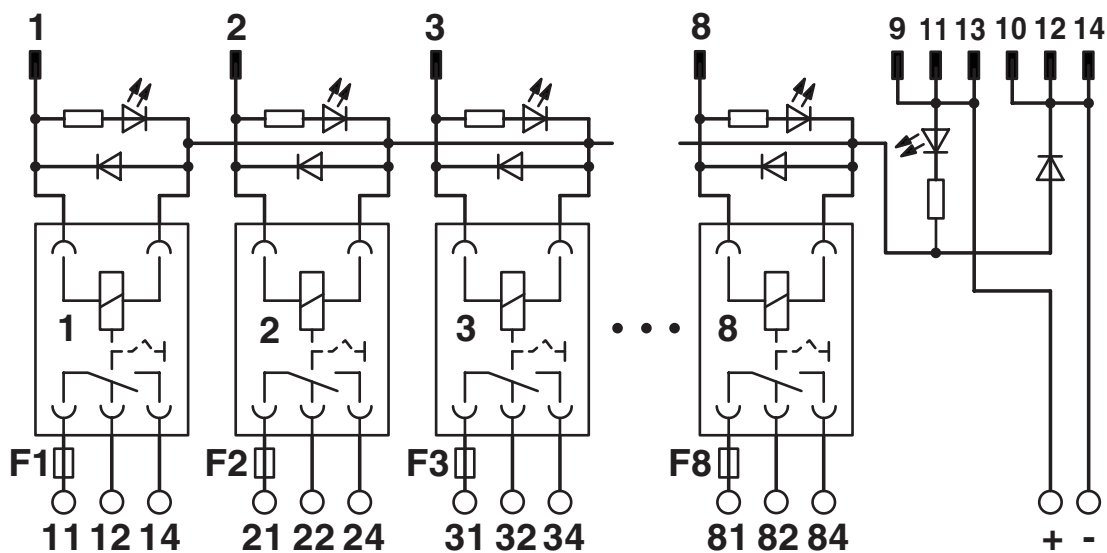
Drawings

Diagram



Derating curve for limiting continuous current

Circuit diagram



UM- 8RM/KSR-G24/21/MS/SI/PLC - Active module



2900893

<https://www.phoenixcontact.com/us/products/2900893>

Classifications

UNSPSC

UNSPSC 21.0	39121432
-------------	----------

2900893

<https://www.phoenixcontact.com/us/products/2900893>

Environmental product compliance

EU RoHS

Fulfills EU RoHS substance requirements	Yes
Exemption	7(a)

China RoHS

Environment friendly use period (EFUP)	EFUP-50
	An article-related China RoHS declaration table can be found in the download area for the respective article under "Manufacturer declaration". For all articles with EFUP-E, no China RoHS declaration table issued and required.

EU REACH SVHC

REACH candidate substance (CAS No.)	Lead(CAS: 7439-92-1)
-------------------------------------	----------------------

Phoenix Contact 2026 © - all rights reserved
<https://www.phoenixcontact.com>

Phoenix Contact USA
586 Fulling Mill Road
Middletown, PA 17057, United States
(+717) 944-1300
info@phoenixcon.com