

# ELR H5-I-SC-230AC/500AC-2 - Hybrid motor starter



2900575

<https://www.phoenixcontact.com/us/products/2900575>

Please be informed that the data shown in this PDF document is generated from our online catalog. Please find the complete data in the user documentation. Our general terms of use for downloads are valid.



Hybrid motor starter for reversing 3~ AC motors up to 550 V AC, with 230 V AC input, 2.4 A output current, and adjustable overload shutdown.

## Your advantages

- 22.5 mm wide
- Low-wear switching
- Reduction in wiring
- Long service life
- Space saving
- 3-phase loop bridges
- Adjustable current for bimetal function

## Commercial data

Item number	2900575
Packing unit	1 pc
Note	Made to order (non-returnable)
Sales key	C470
Product key	DK7422
GTIN	4046356528177
Weight per piece (including packing)	307 g
Weight per piece (excluding packing)	216.11 g
Customs tariff number	85371098
Country of origin	DE

# ELR H5-I-SC-230AC/500AC-2 - Hybrid motor starter



2900575

<https://www.phoenixcontact.com/us/products/2900575>

## Technical data

### Product properties

Product type	Hybrid motor starters
Product family	CONTACTRON
Operating mode	100% operating factor

### Electrical properties

Number of phases	3
Motor starter type	Reversing starter
Switching frequency	≤ 2 Hz (Load-dependent)
Maximum power dissipation for nominal condition	2.2 W
Switching frequency	≤ 2 Hz (Load-dependent)
Maximum power dissipation	4.7 W
Minimum power dissipation	2.6 W
Coordination type	1

### Supply

Rated control circuit supply voltage $U_S$	230 V AC
Control supply voltage range	85 V AC ... 253 V AC
Rated control supply current $I_S$	4 mA
Mains frequency	50/60 Hz
Protective circuit	Surge protection

### Insulation characteristics

Rated insulation voltage	500 V
Rated surge voltage	4 kV
Overvoltage category	III
Degree of pollution	2
Insulation characteristics between the control input and control supply voltage, and auxiliary circuit to the main circuit	Safe isolation (IEC 60947-1) at operating voltage ≤ 300 V AC
	Safe isolation (EN 50178) at operating voltage ≤ 300 V AC
	Basic insulation (IEC 60947-1) at operating voltage 300 V AC ... 500 V AC
	Safe isolation (EN 50178) at operating voltage 300 ... 500 V AC
Isolation characteristics between the control input and control supply voltage to auxiliary circuit	Safe isolation (IEC 60947-1) in the auxiliary circuit ≤ 300 V AC
	Safe isolation (EN 50178) in the auxiliary circuit ≤ 300 V AC

### Input data

#### Control

Input name	Control input right/left
Rated actuating voltage $U_C$	230 V AC
Triggering voltage range	85 V AC ... 253 V AC
Rated actuating current $I_C$	7 mA (Input type 1)
Mains frequency	50 Hz 60 Hz 50/60 Hz

# ELR H5-I-SC-230AC/500AC-2 - Hybrid motor starter



2900575

<https://www.phoenixcontact.com/us/products/2900575>

Switching threshold	44 V AC ("0" signal)
	85 V AC ("1" signal)
Typical turn-off time	< 70 ms

## Output data

### AC output

Rated operating voltage $U_e$	500 V AC
Operating voltage range	42 V AC ... 550 V AC
Rated operating current $I_e$	2.4 A (AC-51)
	2.4 A (AC-53a)
Mains frequency	50/60 Hz
Load current range	180 mA ... 2.4 A (see to derating)
Trigger characteristic in acc. with IEC 60947-4-2	Class 10A
Cooling time	20 min (for auto reset)
Leakage current	0 mA
Protective circuit	Surge protection

### Acknowledge output

Note	Confirmation: floating change-over contact, signal contact
Contact switching type	1 changeover contact
Switching capacity in accordance with IEC 60947-5-1	3 A (230 V, AC15)
	2 A (24 V (DC13))

## Connection data

### Control circuits

Connection method	Screw connection
Stripping length	8 mm
Screw thread	M3
Conductor cross-section rigid	0.2 mm <sup>2</sup> ... 2.5 mm <sup>2</sup>
Conductor cross-section flexible	0.2 mm <sup>2</sup> ... 2.5 mm <sup>2</sup>
Conductor cross-section AWG	24 ... 14
Tightening torque	0.5 Nm ... 0.6 Nm
	5 lb <sub>F</sub> -in. ... 7 lb <sub>F</sub> -in.

### Load circuit

Connection method	Screw connection
Stripping length	8 mm
Screw thread	M3
Conductor cross-section rigid	0.2 mm <sup>2</sup> ... 2.5 mm <sup>2</sup>
Conductor cross-section flexible	0.2 mm <sup>2</sup> ... 2.5 mm <sup>2</sup>
Conductor cross-section AWG	24 ... 14
Tightening torque	0.5 Nm ... 0.6 Nm
	5 lb <sub>F</sub> -in. ... 7 lb <sub>F</sub> -in.

# ELR H5-I-SC-230AC/500AC-2 - Hybrid motor starter



2900575

<https://www.phoenixcontact.com/us/products/2900575>

## Signaling

Status display	LED (yellow)
Operating voltage display	Green LED
Error indication	Red LED

## Dimensions

Width	22.5 mm
Height	107 mm
Depth	114 mm

## Material specifications

Flammability rating according to UL 94 (Housing)	V0 (Housing)
--	--------------

## Environmental and real-life conditions

### Ambient conditions

Degree of protection	IP20
Ambient temperature (operation)	-25 °C ... 70 °C (observe derating)
Ambient temperature (storage/transport)	-40 °C ... 80 °C
Altitude	≤ 2000 m

## Approvals

### UL approval

Certificate	NLDX.E228652
-------------	--------------

### UL data

SCCR	100 kA (500 V AC (fuse: 30 A class CC/30 A class J (high fault)))
	5 kA (500 V AC (fuse: 20 A RK5 (standard fault)))
FLA	2.4 A (500 V AC)
Group installation	20 A (class RK5, SCCR 5kA, #24 - 14 AWG max. solid and stranded)
	30 A (class CC or J, SCCR 100kA, #24 - 14 AWG max, solid and stranded)
Category code	NLDX / NRNT

## Standards and regulations

### Standards/regulations

Standards/regulations	IEC 60947-1
	IEC 60947-4-2
	IEC 61508
	ISO 13849

## Mounting

Mounting type	DIN rail mounting
Assembly note	alignable, for spacing see derating

# ELR H5-I-SC-230AC/500AC-2 - Hybrid motor starter



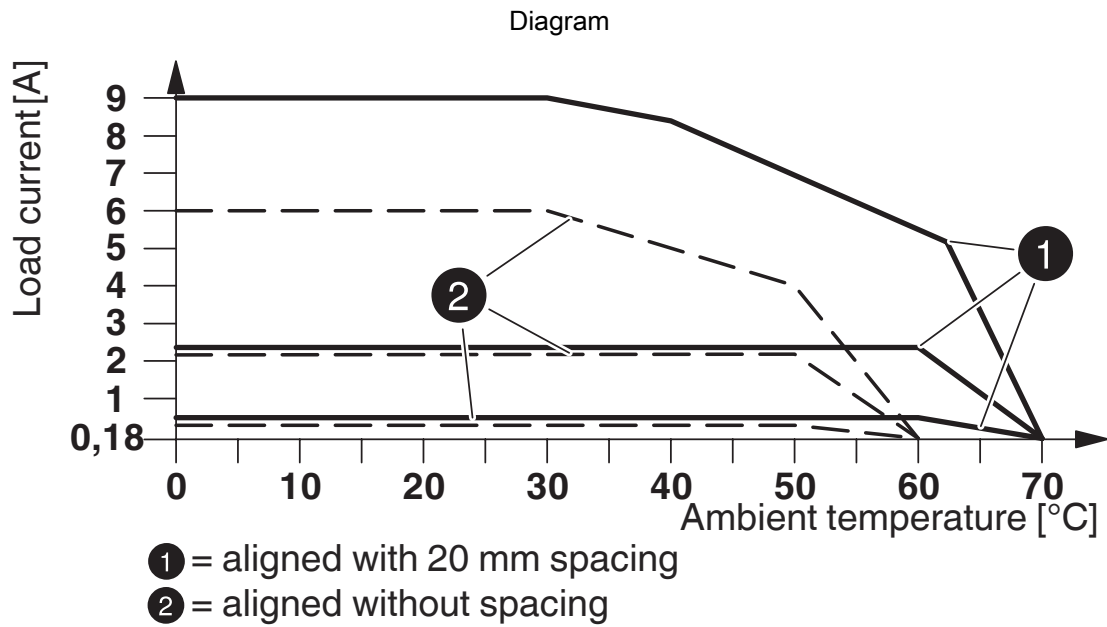
2900575

<https://www.phoenixcontact.com/us/products/2900575>

Mounting position

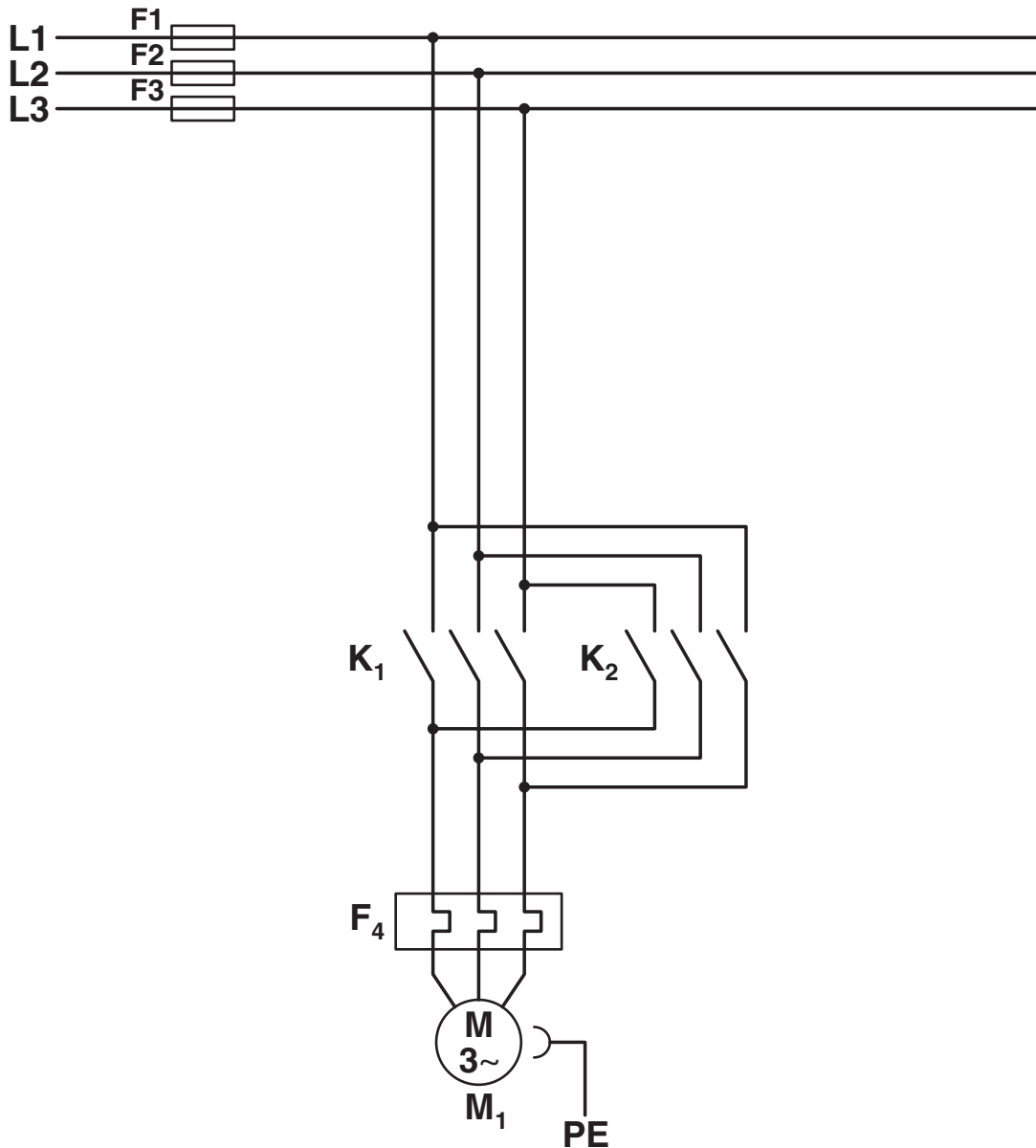
vertical (horizontal DIN rail, motor output below)

## Drawings



Derating diagram

Circuit diagram



## Conventional structure

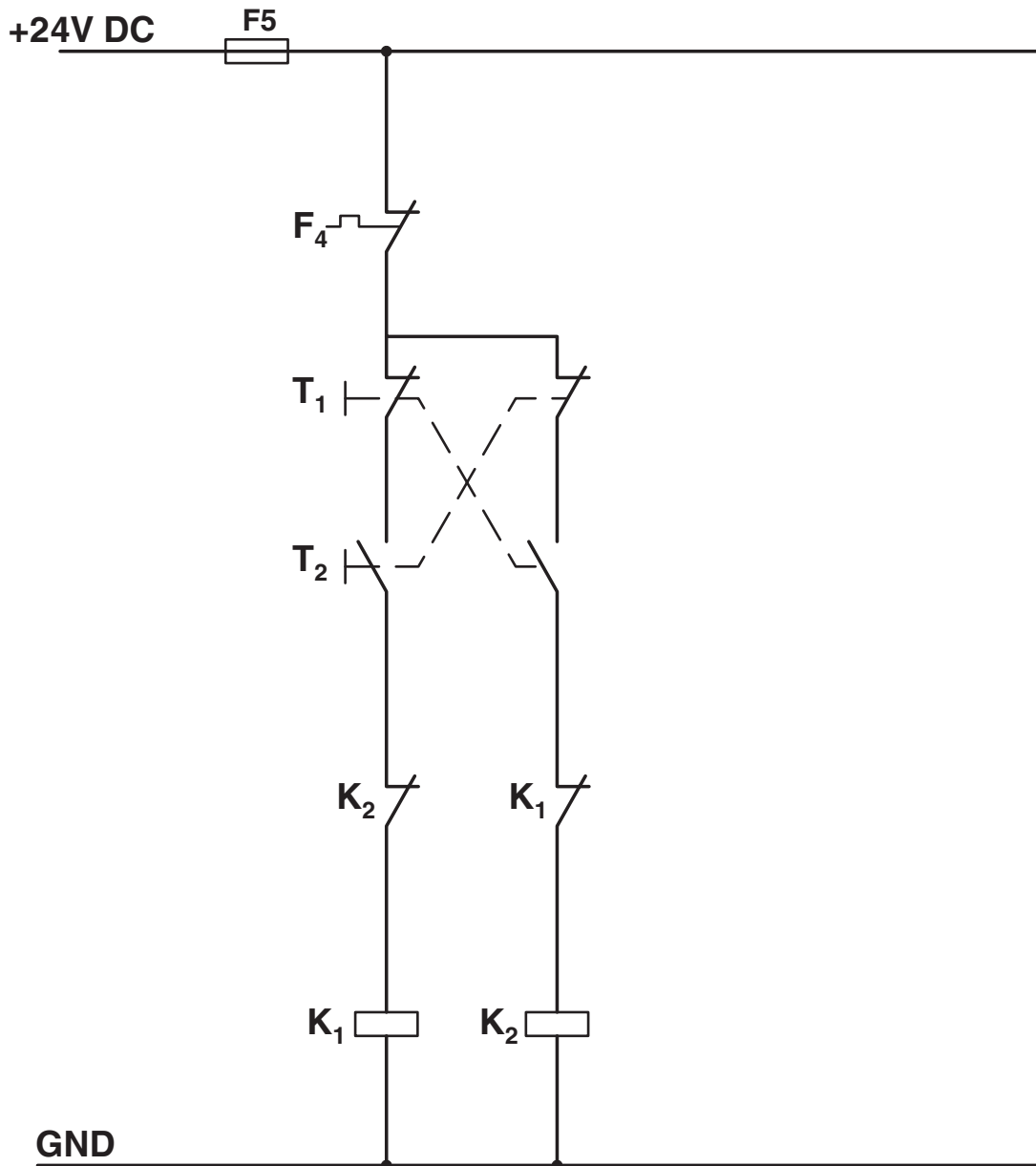
Main current path contactor

K1 = Left contactor

K2 = Right contactor

F4 = Motor protection relay

Circuit diagram



**Conventional structure**

Control current path contactor

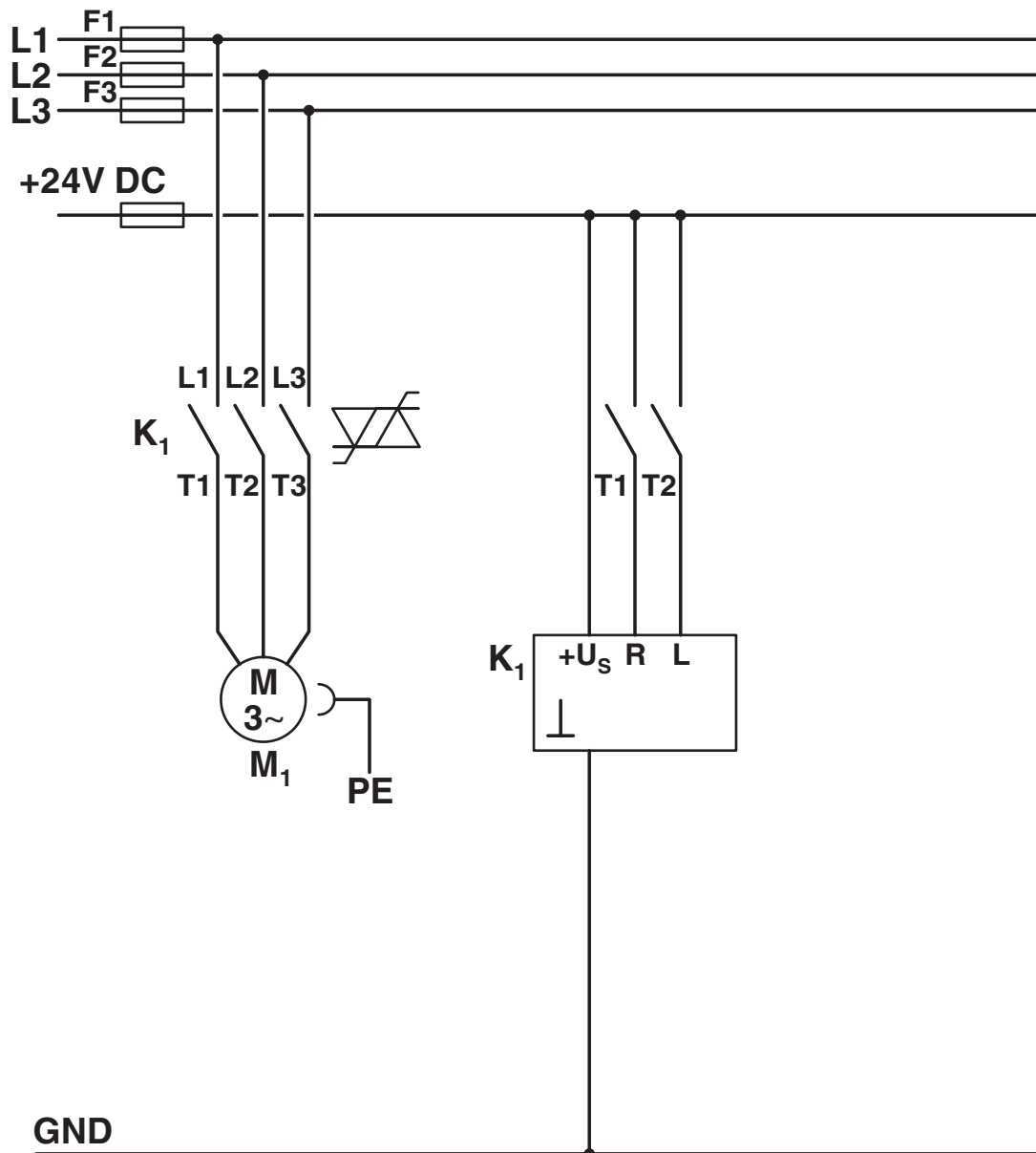
K1 = Left contactor

K2 = Right contactor

T1 = Left, T2 = Right

F4 = Motor protection relay

Circuit diagram



## Structure with CONTACTRON

Main and control current path for '3 in 1' hybrid motor starter

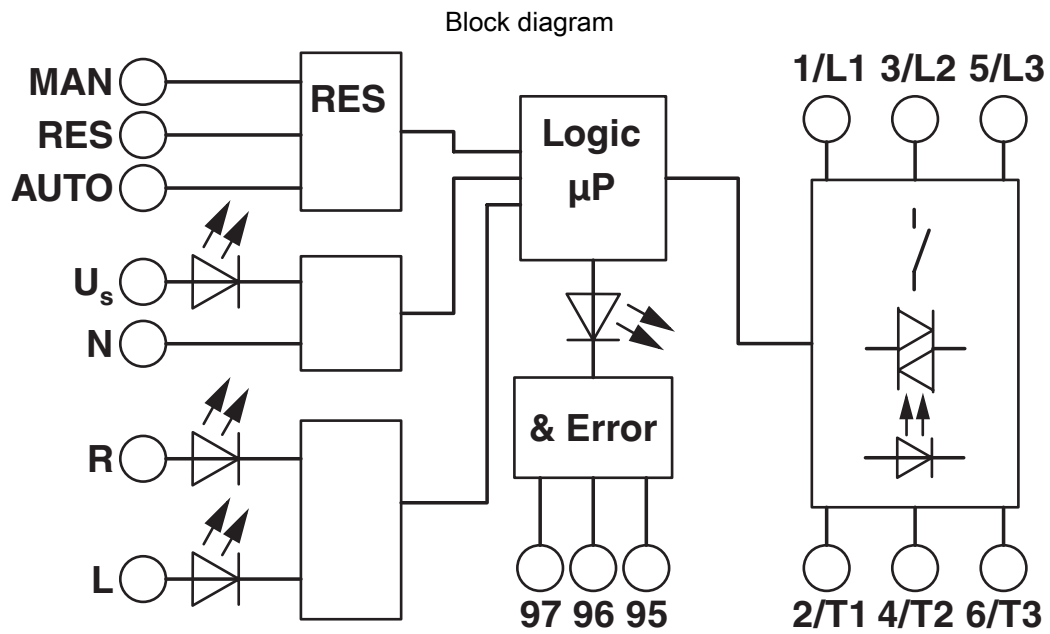
K1 = '3 in 1' hybrid motor starter

T1 = Right, T2 = Left

# ELR H5-I-SC-230AC/500AC-2 - Hybrid motor starter

2900575

<https://www.phoenixcontact.com/us/products/2900575>



# ELR H5-I-SC-230AC/500AC-2 - Hybrid motor starter



2900575

<https://www.phoenixcontact.com/us/products/2900575>

## Classifications

### ECLASS

ECLASS-13.0

27370905

### UNSPSC

UNSPSC 21.0

25173902

# ELR H5-I-SC-230AC/500AC-2 - Hybrid motor starter



2900575

<https://www.phoenixcontact.com/us/products/2900575>

## Environmental product compliance

### EU RoHS

Fulfills EU RoHS substance requirements	Yes
Exemption	6(c), 7(a), 7(c)-I

### China RoHS

Environment friendly use period (EFUP)	EFUP-50
	An article-related China RoHS declaration table can be found in the download area for the respective article under "Manufacturer declaration". For all articles with EFUP-E, no China RoHS declaration table issued and required.

### EU REACH SVHC

REACH candidate substance (CAS No.)	Lead(CAS: 7439-92-1)
-------------------------------------	----------------------

Phoenix Contact 2026 © - all rights reserved  
<https://www.phoenixcontact.com>

Phoenix Contact USA  
586 Fulling Mill Road  
Middletown, PA 17057, United States  
(+717) 944-1300  
[info@phoenixcon.com](mailto:info@phoenixcon.com)