

PSR-SPP- 24UC/ESAM4/2X1/1X2 - Safety relays



2900526

<https://www.phoenixcontact.com/us/products/2900526>

Please be informed that the data shown in this PDF document is generated from our online catalog. Please find the complete data in the user documentation. Our general terms of use for downloads are valid.



The figure shows a version with a screw connection

Safety relay for emergency stop and safety door monitoring up to SIL 3 or Cat. 4, PL e in accordance with EN ISO 13849, 2-channel operation, 2 enabling current paths, nominal input voltage: 24 V DC, plug-in Push-in terminal block

Your advantages

- Up to Cat. 4/PL e in accordance with EN ISO 13849-1, SIL 3 in accordance with EN IEC 62061, SIL 3 in accordance with IEC 61508
- Manually monitored and automatic activation in a single device
- Reinforced insulation
- 2 channel control
- 2 enabling current paths, 1 signaling current path

Commercial data

| | |
|--------------------------------------|---------------|
| Item number | 2900526 |
| Packing unit | 1 pc |
| Minimum order quantity | 1 pc |
| Sales key | DN01 |
| Product key | DNA114 |
| GTIN | 4046356515665 |
| Weight per piece (including packing) | 182.5 g |
| Weight per piece (excluding packing) | 222.2 g |
| Customs tariff number | 85371098 |
| Country of origin | DE |

Technical data

Product properties

| | |
|-------------------------|--|
| Product type | Safety relays |
| Product family | PSRclassic |
| Application | Emergency stop Safety door |
| Control | 2-channel |
| Mechanical service life | approx. 10^7 cycles |
| Relay type | Electromechanical relay with force-guided contacts in accordance with IEC/EN 61810-3 |

Insulation characteristics

| | |
|----------------------|-----|
| Overvoltage category | III |
| Degree of pollution | 2 |

Times

| | |
|-------------------------------|--|
| Typical response time | typ. 150 ms (For U_S autostart) |
| | typ. 100 ms (For U_S manual, monitored start) |
| Typ. starting time with U_S | typ. 250 ms (with U_S / when controlled via A1) |
| Typical release time | typ. 20 ms (At U_S on demand via sensor circuit) |
| | typ. 45 ms (At U_S /on demand via A1) |
| Recovery time | < 1 s (Boot time) |
| | 1 s (following demand of the safety function) |

Electrical properties

| | |
|---|---|
| Maximum power dissipation for nominal condition | 16.44 W ($U_S = 26.4$ V, $I_L^2 = 72$ A ² , $P_{Total\ max} = 2.04$ W + 14.4 W) |
| Nominal operating mode | 100% operating factor |
| Rated insulation voltage | 250 V |
| Rated surge voltage/insulation | See data sheet, section "Insulation coordination". |

Supply

| | |
|--|---|
| Rated control circuit supply voltage U_S | 24 V DC -15 % / +10 % |
| Rated control supply current I_S | typ. 70 mA (at U_S) |
| Power consumption at U_S | typ. 1.68 W |
| Inrush current | < 3.5 A (typ. with U_S , $\Delta t = 3$ ms) |
| Filter time | 5 ms (in the event of voltage dips at U_S) |
| Protective circuit | Serial protection against polarity reversal |
| | Suppressor diode |

Input data

Digital: Logic (S12, S22)

| | |
|--------------------------------|-------------------------|
| Description of the input | safety-related |
| Number of inputs | 2 |
| Input voltage range "0" signal | 0 V DC ... 5 V DC (S12) |

PSR-SPP- 24UC/ESAM4/2X1/1X2 - Safety relays



2900526

<https://www.phoenixcontact.com/us/products/2900526>

| | |
|---|---|
| Input voltage range "1" signal | 20.4 V ... 26.4 V (S12) |
| Input current range "0" signal | 0 mA ... 2 mA |
| Inrush current | < 100 mA ($\Delta t = 500$ ms, with U_S/I_x at S12) |
| | > -100 mA ($\Delta t = 300$ ms, with U_S/I_x at S22) |
| Filter time | No test pulses permitted |
| Concurrence | ∞ |
| Max. permissible overall conductor resistance | 50 Ω |
| Protective circuit | Suppressor diode |
| Current consumption | 38 mA (typ. with U_S at S12) |
| | -38 mA (typ. with U_S at S22) |

Digital: Start circuit (S34, S35)

| | |
|---|------------------------------------|
| Description of the input | non-safety-related |
| Number of inputs | 2 |
| Input voltage range "1" signal | 20.4 V ... 26.4 V |
| Inrush current | < 6 mA (typ. with U_S at S34/35) |
| Filter time | No test pulses permitted |
| Max. permissible overall conductor resistance | 50 Ω |
| Protective circuit | Suppressor diode |
| Current consumption | 0 mA (typ. with U_S at S34) |
| | 1 mA (typ. with U_S at S35) |

Output data

Relay: Enabling current paths

| | |
|-----------------------------|--|
| Output description | 2 N/O contacts in series, safety-related, floating |
| Number of outputs | 2 |
| Contact switching type | 2 enabling current paths |
| Contact material | AgSnO ₂ |
| Switching voltage | min. 10 V AC/DC |
| | max. 250 V AC/DC |
| Switching power | min. 100 mW |
| Inrush current | min. 10 mA |
| | max. 6 A |
| Switching capacity | 5 A (AC15) |
| | 6 A (DC13) |
| Limiting continuous current | 6 A |
| Sq. Total current | 72 A ² (observe derating) |
| Switching frequency | max. 0.5 Hz |
| Mechanical service life | 10x 10 ⁶ cycles |
| Output fuse | 10 A gL/gG (High demand) |
| | 4 A gL/gG (Low demand) |

Relay: Signaling current path (31/32)

| | |
|--------------------|---|
| Output description | 2 N/C contacts parallel, non-safety-related, floating |
|--------------------|---|

PSR-SPP- 24UC/ESAM4/2X1/1X2 - Safety relays



2900526

<https://www.phoenixcontact.com/us/products/2900526>

| | |
|-----------------------------|-------------------------------------|
| Number of outputs | 1 |
| Contact switching type | 1 signaling current path |
| Contact material | AgSnO ₂ |
| Switching voltage | min. 10 V AC/DC max. 250 V AC/DC |
| Switching power | min. 100 mW |
| Inrush current | min. 10 mA max. 6 A |
| Switching capacity | 1.5 A (AC15) 2 A (DC13) |
| Limiting continuous current | 6 A (Signaling current path) |
| Sq. Total current | 36 A ² |
| Switching frequency | max. 0.5 Hz |
| Mechanical service life | 10x 10 ⁶ cycles |
| Output fuse | 6 A gL/gG |

Connection data

Connection technology

| | |
|-----------|-----|
| pluggable | yes |
|-----------|-----|

Conductor connection

| | |
|---|--|
| Connection method | Push-in connection |
| Conductor cross-section rigid | 0.2 mm ² ... 1.5 mm ² |
| Conductor cross-section flexible | 0.2 mm ² ... 1.5 mm ² |
| Conductor cross-section, flexible, with ferrule, with plastic sleeve | 0.25 mm ² ... 1.5 mm ² (only together with CRIMPFOX 6) |
| Conductor cross-section, flexible, with ferrule, without plastic sleeve | 0.25 mm ² ... 1.5 mm ² (only together with CRIMPFOX 6) |
| Conductor cross-section AWG | 24 ... 16 |
| Stripping length | 8 mm |

Signaling

| | |
|---------------------------|-----------------|
| Status display | 3 x LED (green) |
| Operating voltage display | 1 x LED (green) |

Dimensions

| | |
|--------|----------|
| Width | 22.5 mm |
| Height | 112 mm |
| Depth | 114.5 mm |

Material specifications

| | |
|------------------|-------------------|
| Color (Housing) | yellow (RAL 1018) |
| Housing material | PA |

Characteristics

PSR-SPP- 24UC/ESAM4/2X1/1X2 - Safety relays



2900526

<https://www.phoenixcontact.com/us/products/2900526>

Safety data

| | |
|--------------------------------------|--|
| Stop category (EN 60204-1) | 0 |
| Safety data: EN ISO 13849 | |
| Performance level (PL) | e (5 A DC13; 5 A AC15; 8760 switching cycles/year) |
| Safety data: IEC 61508 - High demand | |
| Safety Integrity Level (SIL) | 3 |
| Safety data: IEC 61508 - Low demand | |
| Safety Integrity Level (SIL) | 3 |
| Safety data: EN IEC 62061 | |
| Safety Integrity Level (SIL) | 3 |

Environmental and real-life conditions

Ambient conditions

| | |
|--|---|
| Degree of protection | IP20 |
| Min. degree of protection of inst. location | IP54 |
| Ambient temperature (operation) | -20 °C ... 55 °C (observe derating) |
| Ambient temperature (storage/transport) | -40 °C ... 70 °C |
| Maximum altitude | ≤ 2000 m (Above sea level) |
| Max. permissible humidity (storage/transport) | 75 % (on average, 85% infrequently, non-condensing) |
| Max. permissible relative humidity (operation) | 75 % (on average, 85% infrequently, non-condensing) |
| Shock | 15g |
| Vibration (operation) | 10 Hz ... 150 Hz, 2g |

Approvals

CE

| | |
|----------------|--------------|
| Identification | CE-compliant |
|----------------|--------------|

Mounting

| | |
|-------------------|------------------------|
| Mounting type | DIN rail mounting |
| Assembly note | See derating curve |
| Mounting position | vertical or horizontal |

PSR-SPP- 24UC/ESAM4/2X1/1X2 - Safety relays

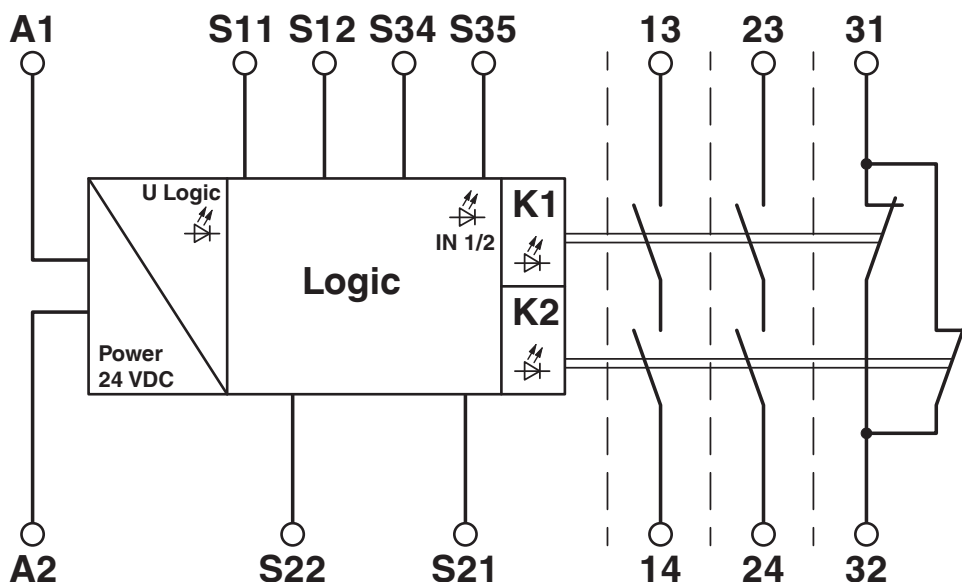


2900526

<https://www.phoenixcontact.com/us/products/2900526>

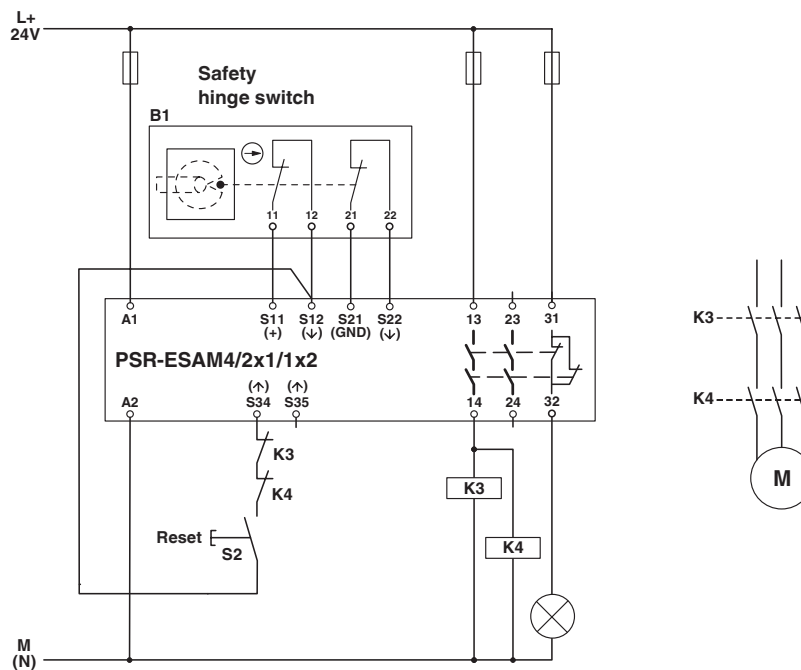
Drawings

Circuit diagram



Block diagram

Circuit diagram



Hinge switch

PSR-SPP- 24UC/ESAM4/2X1/1X2 - Safety relays



2900526

<https://www.phoenixcontact.com/us/products/2900526>

Approvals

To download certificates, visit the product detail page: <https://www.phoenixcontact.com/us/products/2900526>



cULus Listed

Approval ID: E140324



Functional Safety

Approval ID: 01/205/5117.04/23

PSR-SPP- 24UC/ESAM4/2X1/1X2 - Safety relays



2900526

<https://www.phoenixcontact.com/us/products/2900526>

Classifications

ECLASS

| | |
|-------------------|----------|
| ECLASS-13.0 | 27371819 |
| ECLASS-15.0 | 27371819 |
| ECLASS-15.0 ASSET | 27250101 |

ETIM

| | |
|-----------|----------|
| ETIM 10.0 | EC001449 |
|-----------|----------|

UNSPSC

| | |
|-------------|----------|
| UNSPSC 21.0 | 39122205 |
|-------------|----------|

2900526

<https://www.phoenixcontact.com/us/products/2900526>

Environmental product compliance

EU RoHS

| | |
|---|--------------|
| Fulfills EU RoHS substance requirements | Yes |
| Exemption | 7(a), 7(c)-I |

China RoHS

| | |
|--|---|
| Environment friendly use period (EFUP) | EFUP-50 |
| | An article-related China RoHS declaration table can be found in the download area for the respective article under "Manufacturer declaration". For all articles with EFUP-E, no China RoHS declaration table issued and required. |

EU REACH SVHC

| | |
|-------------------------------------|--------------------------------------|
| REACH candidate substance (CAS No.) | Lead(CAS: 7439-92-1) |
| SCIP | e9d80412-4272-41ae-9074-81f4b2012cb0 |

EF3.1 Climate Change

| | |
|---------|---------------|
| CO2e kg | 4.599 kg CO2e |
|---------|---------------|

Phoenix Contact 2026 © - all rights reserved
<https://www.phoenixcontact.com>

Phoenix Contact USA
586 Fulling Mill Road
Middletown, PA 17057, United States
(+717) 944-1300
info@phoenixcon.com