

# PSR-SCP- 24UC/ESAM4/2X1/1X2 - Safety relays



2900525

<https://www.phoenixcontact.com/us/products/2900525>

Please be informed that the data shown in this PDF document is generated from our online catalog. Please find the complete data in the user documentation. Our general terms of use for downloads are valid.



Safety relay for emergency stop and safety door monitoring up to SIL 3 or Cat. 4, PL e in accordance with EN ISO 13849, 2-channel operation, 2 enabling current paths, nominal input voltage: 24 V DC, plug-in screw terminal block

## Your advantages

- Up to Cat. 4/PL e in accordance with EN ISO 13849-1, SIL 3 in accordance with EN IEC 62061, SIL 3 in accordance with IEC 61508
- Manually monitored and automatic activation in a single device
- Reinforced insulation
- 2 channel control
- 2 enabling current paths, 1 signaling current path

## Commercial data

Item number	2900525
Packing unit	1 pc
Minimum order quantity	1 pc
Sales key	DN01
Product key	DNA114
GTIN	4046356515658
Weight per piece (including packing)	183.1 g
Weight per piece (excluding packing)	137.48 g
Customs tariff number	85371098
Country of origin	DE

## Technical data

### Product properties

Product type	Safety relays
Product family	PSRclassic
Application	Emergency stop Safety door
Control	2-channel
Mechanical service life	approx. $10^7$ cycles
Relay type	Electromechanical relay with force-guided contacts in accordance with IEC/EN 61810-3

### Insulation characteristics

Overvoltage category	III
Degree of pollution	2

### Times

Typical response time	typ. 150 ms (For $U_S$ autostart)
	typ. 100 ms (For $U_S$ manual, monitored start)
Typ. starting time with $U_S$	typ. 250 ms (with $U_S$ / when controlled via A1)
Typical release time	typ. 20 ms (At $U_S$ on demand via sensor circuit)
	typ. 45 ms (At $U_S$ /on demand via A1)
Recovery time	< 1 s (Boot time)
	1 s (following demand of the safety function)

### Electrical properties

Maximum power dissipation for nominal condition	16.44 W ( $U_S = 26.4$ V, $I_L^2 = 72$ A <sup>2</sup> , $P_{Total\ max} = 2.04$ W + 14.4 W)
Nominal operating mode	100% operating factor
Rated insulation voltage	250 V
Rated surge voltage/insulation	See data sheet, section "Insulation coordination".

### Supply

Rated control circuit supply voltage $U_S$	24 V DC -15 % / +10 %
Rated control supply current $I_S$	typ. 70 mA (at $U_S$ )
Power consumption at $U_S$	typ. 1.68 W
Inrush current	< 3.5 A (typ. with $U_S$ , $\Delta t = 3$ ms)
Filter time	5 ms (in the event of voltage dips at $U_S$ )
Protective circuit	Serial protection against polarity reversal
	Suppressor diode

### Input data

#### Digital: Logic (S12, S22)

Description of the input	safety-related
Number of inputs	2
Input voltage range "0" signal	0 V DC ... 5 V DC (S12)

# PSR-SCP- 24UC/ESAM4/2X1/1X2 - Safety relays



2900525

<https://www.phoenixcontact.com/us/products/2900525>

Input voltage range "1" signal	20.4 V ... 26.4 V (S12)
Input current range "0" signal	0 mA ... 2 mA
Inrush current	< 100 mA ( $\Delta t = 500$ ms, with $U_S/I_x$ at S12)
	> -100 mA ( $\Delta t = 300$ ms, with $U_S/I_x$ at S22)
Filter time	No test pulses permitted
Concurrence	$\infty$
Max. permissible overall conductor resistance	50 $\Omega$
Protective circuit	Suppressor diode
Current consumption	38 mA (typ. with $U_S$ at S12)
	-38 mA (typ. with $U_S$ at S22)

## Digital: Start circuit (S34, S35)

Description of the input	non-safety-related
Number of inputs	2
Input voltage range "1" signal	20.4 V ... 26.4 V
Inrush current	< 6 mA (typ. with $U_S$ at S34/35)
Filter time	No test pulses permitted
Max. permissible overall conductor resistance	50 $\Omega$
Protective circuit	Suppressor diode
Current consumption	0 mA (typ. with $U_S$ at S34)
	1 mA (typ. with $U_S$ at S35)

## Output data

### Relay: Enabling current paths (13/14, 23/24)

Output description	2 N/O contacts in series, safety-related, floating
Number of outputs	2
Contact switching type	2 enabling current paths
Contact material	AgSnO <sub>2</sub>
Switching voltage	min. 10 V AC/DC
	max. 250 V AC/DC
Switching power	min. 100 mW
Inrush current	min. 10 mA
	max. 6 A
Switching capacity	5 A (AC15)
	6 A (DC13)
Limiting continuous current	6 A
Sq. Total current	72 A <sup>2</sup> (observe derating)
Switching frequency	max. 0.5 Hz
Mechanical service life	10x 10 <sup>6</sup> cycles
Output fuse	10 A gL/gG (High demand)
	4 A gL/gG (Low demand)

### Relay: Signaling current path (31/32)

Output description	2 N/C contacts parallel, non-safety-related, floating
--------------------	---

# PSR-SCP- 24UC/ESAM4/2X1/1X2 - Safety relays



2900525

<https://www.phoenixcontact.com/us/products/2900525>

Number of outputs	1
Contact switching type	1 signaling current path
Contact material	AgSnO <sub>2</sub>
Switching voltage	min. 10 V AC/DC max. 250 V AC/DC
Switching power	min. 100 mW
Inrush current	min. 10 mA max. 6 A
Switching capacity	1.5 A (AC15) 2 A (DC13)
Limiting continuous current	6 A (Signaling current path)
Sq. Total current	36 A <sup>2</sup>
Switching frequency	max. 0.5 Hz
Mechanical service life	10x 10 <sup>6</sup> cycles
Output fuse	6 A gL/gG

## Connection data

### Connection technology

pluggable	yes
-----------	-----

### Conductor connection

Connection method	Screw connection
Conductor cross-section rigid	0.2 mm <sup>2</sup> ... 2.5 mm <sup>2</sup>
Conductor cross-section flexible	0.2 mm <sup>2</sup> ... 2.5 mm <sup>2</sup>
Conductor cross-section AWG	24 ... 12
Stripping length	7 mm
Screw thread	M3

## Signaling

Status display	3 x LED (green)
Operating voltage display	1 x LED (green)

## Dimensions

Width	22.5 mm
Height	99 mm
Depth	114.5 mm

## Material specifications

Color (Housing)	yellow (RAL 1018)
Housing material	PA

## Characteristics

### Safety data

Stop category (EN 60204-1)	0
----------------------------	---

# PSR-SCP- 24UC/ESAM4/2X1/1X2 - Safety relays



2900525

<https://www.phoenixcontact.com/us/products/2900525>

Safety data: EN ISO 13849

Performance level (PL)	e (5 A DC13; 5 A AC15; 8760 switching cycles/year)
------------------------	--

Safety data: IEC 61508 - High demand

Safety Integrity Level (SIL)	3
------------------------------	---

Safety data: IEC 61508 - Low demand

Safety Integrity Level (SIL)	3
------------------------------	---

Safety data: EN IEC 62061

Safety Integrity Level (SIL)	3
------------------------------	---

## Environmental and real-life conditions

Ambient conditions

Degree of protection	IP20
Min. degree of protection of inst. location	IP54
Ambient temperature (operation)	-20 °C ... 55 °C (observe derating)
Ambient temperature (storage/transport)	-40 °C ... 70 °C
Maximum altitude	≤ 2000 m (Above sea level)
Max. permissible humidity (storage/transport)	75 % (on average, 85% infrequently, non-condensing)
Max. permissible relative humidity (operation)	75 % (on average, 85% infrequently, non-condensing)
Shock	15g
Vibration (operation)	10 Hz ... 150 Hz, 2g

## Approvals

CE

Identification	CE-compliant
----------------	--------------

## Mounting

Mounting type	DIN rail mounting
Assembly note	See derating curve
Mounting position	vertical or horizontal

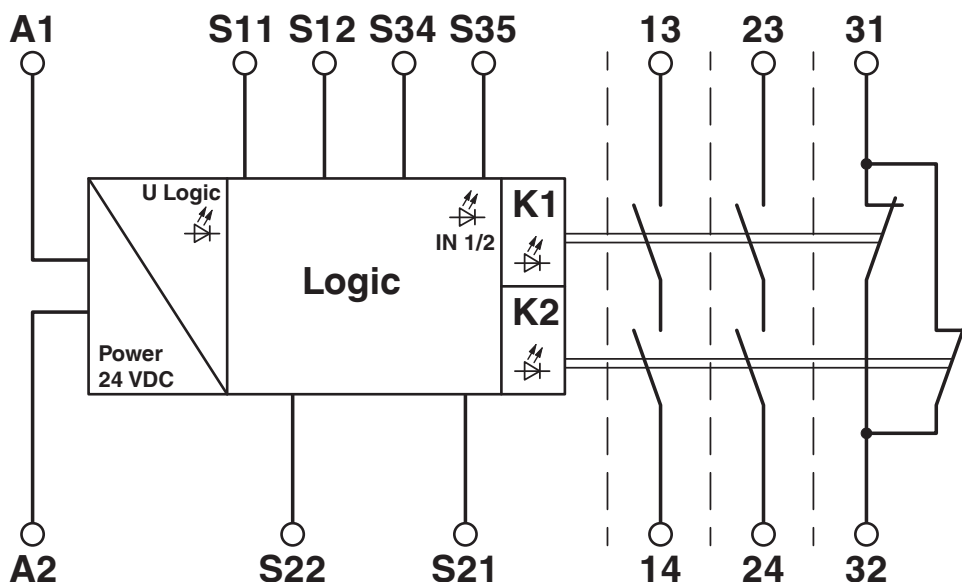
# PSR-SCP- 24UC/ESAM4/2X1/1X2 - Safety relays

2900525

<https://www.phoenixcontact.com/us/products/2900525>

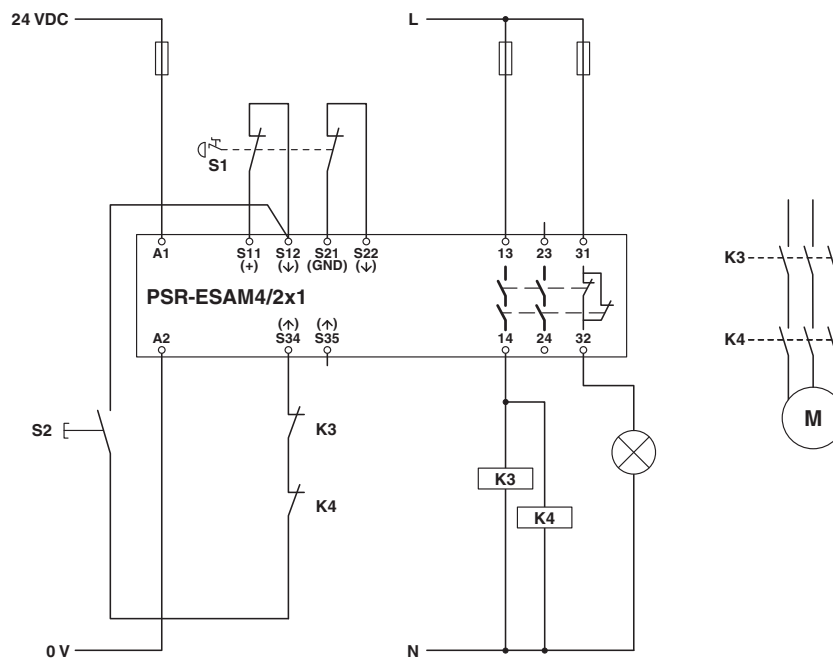
## Drawings

Circuit diagram



Block diagram

Circuit diagram



2-channel emergency stop monitoring

# PSR-SCP- 24UC/ESAM4/2X1/1X2 - Safety relays



2900525

<https://www.phoenixcontact.com/us/products/2900525>

## Approvals

To download certificates, visit the product detail page: <https://www.phoenixcontact.com/us/products/2900525>



**cULus Listed**

Approval ID: E140324



**Functional Safety**

Approval ID: 01/205/5117.04/23

# PSR-SCP- 24UC/ESAM4/2X1/1X2 - Safety relays



2900525

<https://www.phoenixcontact.com/us/products/2900525>

## Classifications

### ECLASS

ECLASS-13.0	27371819
ECLASS-15.0	27371819
ECLASS-15.0 ASSET	27250101

### ETIM

ETIM 10.0	EC001449
-----------	----------

### UNSPSC

UNSPSC 21.0	39122205
-------------	----------

2900525

<https://www.phoenixcontact.com/us/products/2900525>

## Environmental product compliance

### EU RoHS

Fulfills EU RoHS substance requirements	Yes
Exemption	7(a), 7(c)-I

### China RoHS

Environment friendly use period (EFUP)	EFUP-50
	An article-related China RoHS declaration table can be found in the download area for the respective article under "Manufacturer declaration". For all articles with EFUP-E, no China RoHS declaration table issued and required.

### EU REACH SVHC

REACH candidate substance (CAS No.)	Lead(CAS: 7439-92-1)
SCIP	3068f181-a8f2-4f0d-a528-65f1f0e281e0

### EF3.1 Climate Change

CO2e kg	4.28 kg CO2e
---------	--------------

Phoenix Contact 2026 © - all rights reserved  
<https://www.phoenixcontact.com>

Phoenix Contact USA  
586 Fulling Mill Road  
Middletown, PA 17057, United States  
(+717) 944-1300  
[info@phoenixcon.com](mailto:info@phoenixcon.com)