

# PLC-BPT- 24DC/ 1/ACT - Relay base



2900449

<https://www.phoenixcontact.com/us/products/2900449>

Please be informed that the data shown in this PDF document is generated from our online catalog. Please find the complete data in the user documentation. Our general terms of use for downloads are valid.



6.2 mm PLC basic terminal block for output functions with push-in connection, without relay or solid-state relay, for mounting on DIN rail NS 35/7,5, with load return line connection (BB), 1 N/O contact, input voltage 24 V DC

## Commercial data

Item number	2900449
Packing unit	10 pc
Minimum order quantity	10 pc
Sales key	C461
Product key	DK62A1
GTIN	4046356507745
Weight per piece (including packing)	30.03 g
Weight per piece (excluding packing)	30.53 g
Customs tariff number	85366990
Country of origin	DE

# PLC-BPT- 24DC/ 1/ACT - Relay base



2900449

<https://www.phoenixcontact.com/us/products/2900449>

## Technical data

### Notes

#### Utilization restriction

EMC note	EMC: class A product, see manufacturer's declaration in the download area
----------	---

### Product properties

Product type	Relay socket
Product family	PLC-INTERFACE
Application	Output function

### Input data

Nominal input voltage $U_N$	24 V DC
	The nominal voltage of the plug-on electromechanical relay or solid-state relay (see necessary accessories) deviates from the nominal input voltage of the base with integrated upstream circuit
Protective circuit	Freewheeling diode
Nominal input voltage $U_N$	24 V DC
	The nominal voltage of the plug-on electromechanical relay or solid-state relay (see necessary accessories) deviates from the nominal input voltage of the base with integrated upstream circuit

### Connection data

Connection method	Push-in connection
Stripping length	10 mm
Conductor cross-section rigid	0.14 mm <sup>2</sup> ... 2.5 mm <sup>2</sup>
Conductor cross-section flexible	0.14 mm <sup>2</sup> ... 2.5 mm <sup>2</sup>
	0.2 mm <sup>2</sup> ... 2.5 mm <sup>2</sup> (Single ferrule)
	2x 0.5 mm <sup>2</sup> ... 1 mm <sup>2</sup> (TWIN ferrule)
Conductor cross-section AWG	26 ... 14

### Dimensions

#### Item dimensions

Width	6.2 mm
Height	80 mm
Depth	94 mm

### Environmental and real-life conditions

#### Ambient conditions

Ambient temperature (operation)	-40 °C ... 60 °C
Ambient temperature (storage/transport)	-40 °C ... 85 °C

### Approvals

# PLC-BPT- 24DC/ 1/ACT - Relay base



2900449

<https://www.phoenixcontact.com/us/products/2900449>

## CE

Certificate	CE-compliant
-------------	--------------

## UKCA

Certificate	UKCA-compliant
-------------	----------------

## Shipbuilding approval

Certificate	TAE0000196
-------------	------------

## Corrosive gas test

Identification	ISA-S71.04. G3 Harsh Group
	EN 60068-2-60

## Shipbuilding data

Temperature	D
Humidity	A
Vibration	B/C
EMC	B
Enclosure	Required protection according to the Rules shall be provided upon installation on board

## EMC data

Electromagnetic compatibility	Conformance with EMC directive
Low Voltage Directive	Conformance with Low Voltage Directive

## Standards and regulations

Standards/regulations	IEC/EN 60664-1
-----------------------	----------------

## Mounting

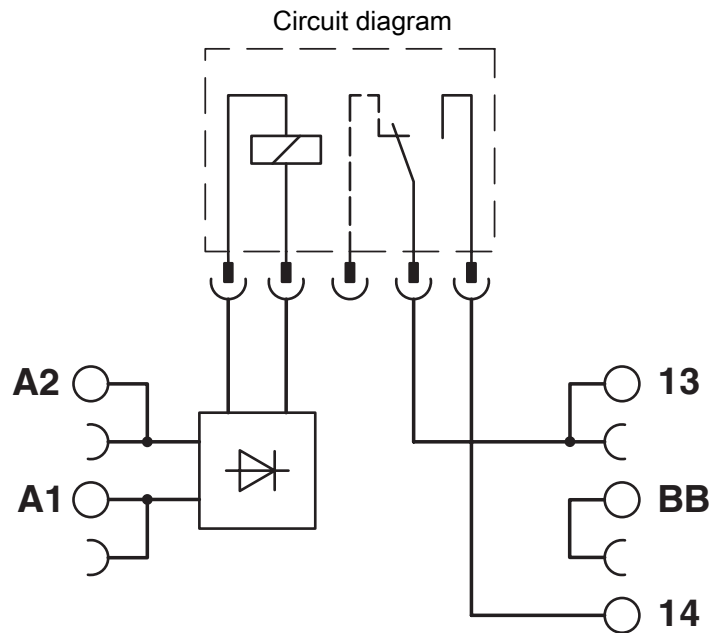
Mounting type	DIN rail mounting
Mounting position	any

# PLC-BPT- 24DC/ 1/ACT - Relay base

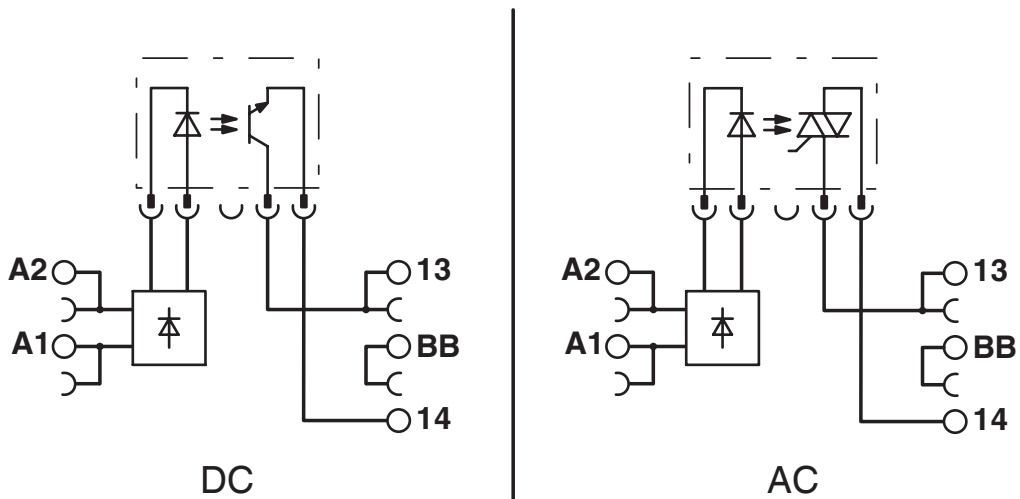
2900449

<https://www.phoenixcontact.com/us/products/2900449>

## Drawings



Circuit diagram



# PLC-BPT- 24DC/ 1/ACT - Relay base



2900449

<https://www.phoenixcontact.com/us/products/2900449>

## Approvals

To download certificates, visit the product detail page: <https://www.phoenixcontact.com/us/products/2900449>



**cUL Recognized**

Approval ID: E238705



**UL Recognized**

Approval ID: E238705



**EAC**

Approval ID: RU D-DE.B\*00573/18

**DNV**

Approval ID: TAE0000196

# PLC-BPT- 24DC/ 1/ACT - Relay base



2900449

<https://www.phoenixcontact.com/us/products/2900449>

## Classifications

### ECLASS

ECLASS-13.0	27371603
ECLASS-15.0	27371603

### ETIM

ETIM 10.0	EC001456
-----------	----------

### UNSPSC

UNSPSC 21.0	39122300
-------------	----------

# PLC-BPT- 24DC/ 1/ACT - Relay base



2900449

<https://www.phoenixcontact.com/us/products/2900449>

## Environmental product compliance

### EU RoHS

Fulfills EU RoHS substance requirements	Yes
Exemption	7(a), 7(c)-I

### China RoHS

Environment friendly use period (EFUP)	EFUP-50
	An article-related China RoHS declaration table can be found in the download area for the respective article under "Manufacturer declaration". For all articles with EFUP-E, no China RoHS declaration table issued and required.

### EU REACH SVHC

REACH candidate substance (CAS No.)	Hexahydromethylphthalic anhydride(CAS: n/a)
	Lead(CAS: 7439-92-1)
SCIP	757dbe93-4420-4eb9-87fa-4660191d458b

### EF3.1 Climate Change

CO2e kg	0.392 kg CO2e
---------	---------------

Phoenix Contact 2026 © - all rights reserved  
<https://www.phoenixcontact.com>

Phoenix Contact USA  
586 Fulling Mill Road  
Middletown, PA 17057, United States  
(+717) 944-1300  
[info@phoenixcon.com](mailto:info@phoenixcon.com)