

PLC-BPT- 5DC/ 1/ACT - Relay base



2900448

<https://www.phoenixcontact.com/us/products/2900448>

Please be informed that the data shown in this PDF document is generated from our online catalog. Please find the complete data in the user documentation. Our general terms of use for downloads are valid.



6.2 mm PLC basic terminal block for output functions with push-in connection, without relay or solid-state relay, for mounting on DIN rail NS 35/7,5, with load return line connection (BB), 1 N/O contact, input voltage 5 V DC

Commercial data

Item number	2900448
Packing unit	1 pc
Note	Made to order (non-returnable)
Sales key	C461
Product key	DK6231
GTIN	4046356507738
Weight per piece (including packing)	30.42 g
Weight per piece (excluding packing)	27.57 g
Customs tariff number	85366990
Country of origin	DE

PLC-BPT- 5DC/ 1/ACT - Relay base



2900448

<https://www.phoenixcontact.com/us/products/2900448>

Technical data

Notes

Utilization restriction

EMC note	EMC: class A product, see manufacturer's declaration in the download area
----------	---

Product properties

Product type	Relay socket
Product family	PLC-INTERFACE
Application	Output function
Set comprises	2900375 PLC-OPT- 5DC/ 24DC/2/ACT

Input data

Nominal input voltage U_N	5 V DC
Protective circuit	Freewheeling diode
Nominal input voltage U_N	5 V DC

Connection data

Connection method	Push-in connection
Stripping length	10 mm
Conductor cross-section rigid	0.14 mm ² ... 2.5 mm ²
Conductor cross-section flexible	0.14 mm ² ... 2.5 mm ²
	0.2 mm ² ... 2.5 mm ² (Single ferrule)
	2x 0.5 mm ² ... 1 mm ² (TWIN ferrule)
Conductor cross-section AWG	26 ... 14

Dimensions

Width	6.2 mm
Height	80 mm
Depth	94 mm

Approvals

CE

Certificate	CE-compliant
-------------	--------------

UKCA

Certificate	UKCA-compliant
-------------	----------------

Shipbuilding approval

Certificate	TAE0000196
-------------	------------

Corrosive gas test

Identification	ISA-S71.04. G3 Harsh Group
	EN 60068-2-60

PLC-BPT- 5DC/ 1/ACT - Relay base



2900448

<https://www.phoenixcontact.com/us/products/2900448>

Shipbuilding data

Temperature	D
Humidity	A
Vibration	B/C
EMC	B
Enclosure	Required protection according to the Rules shall be provided upon installation on board

EMC data

Electromagnetic compatibility	Conformance with EMC directive
Low Voltage Directive	Conformance with Low Voltage Directive

Mounting

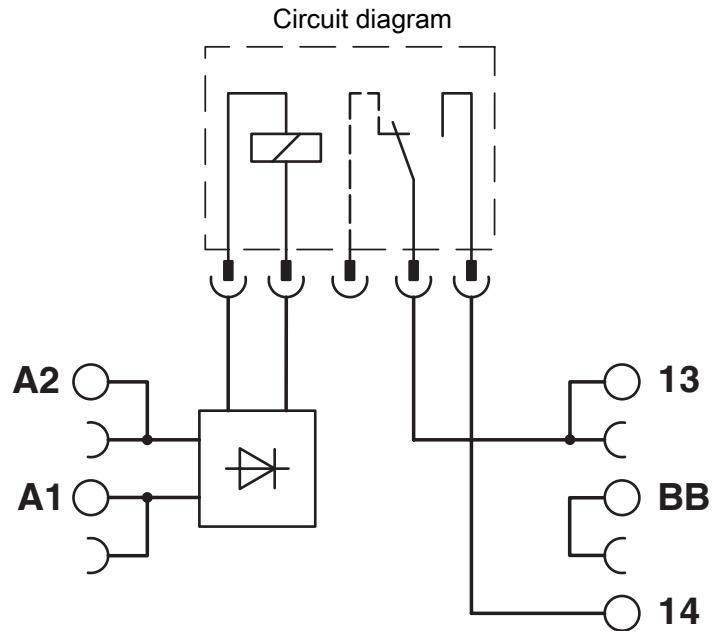
Mounting type	DIN rail mounting
Mounting position	any

PLC-BPT- 5DC/ 1/ACT - Relay base

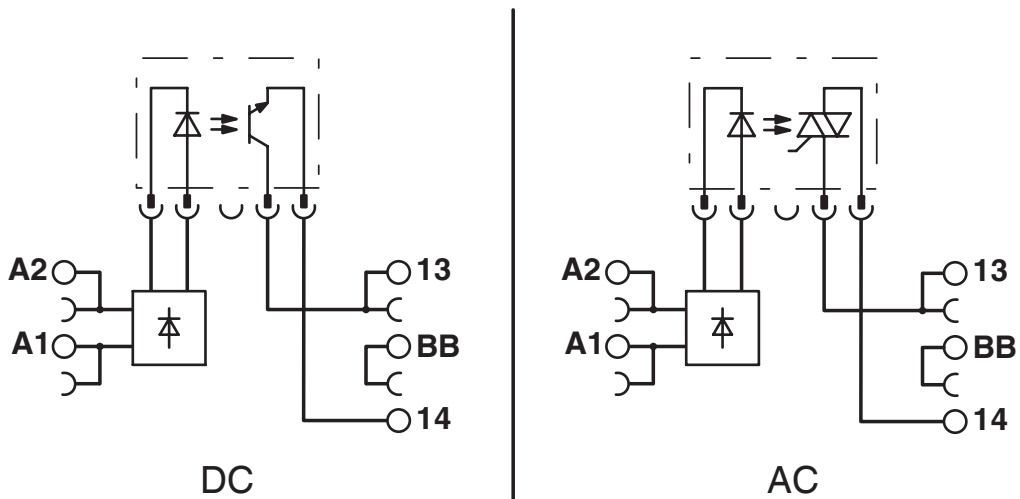
2900448

<https://www.phoenixcontact.com/us/products/2900448>

Drawings



Circuit diagram



PLC-BPT- 5DC/ 1/ACT - Relay base



2900448

<https://www.phoenixcontact.com/us/products/2900448>

Classifications

UNSPSC

UNSPSC 21.0	39122300
-------------	----------

PLC-BPT- 5DC/ 1/ACT - Relay base



2900448

<https://www.phoenixcontact.com/us/products/2900448>

Environmental product compliance

EU RoHS

Fulfills EU RoHS substance requirements	Yes
Exemption	7(a), 7(c)-I

China RoHS

Environment friendly use period (EFUP)	EFUP-50
	An article-related China RoHS declaration table can be found in the download area for the respective article under "Manufacturer declaration". For all articles with EFUP-E, no China RoHS declaration table issued and required.

EU REACH SVHC

REACH candidate substance (CAS No.)	Hexahydromethylphthalic anhydride(CAS: n/a)
	Lead(CAS: 7439-92-1)
SCIP	e67fcba1-4f31-462f-8ccc-5d8321d50d30

Phoenix Contact 2026 © - all rights reserved
<https://www.phoenixcontact.com>

Phoenix Contact USA
586 Fulling Mill Road
Middletown, PA 17057, United States
(+717) 944-1300
info@phoenixcon.com