

PLC-OPT-120AC/300DC/1 - Solid-state relay module



2900388

<https://www.phoenixcontact.com/us/products/2900388>

Please be informed that the data shown in this PDF document is generated from our online catalog. Please find the complete data in the user documentation. Our general terms of use for downloads are valid.



PLC-INTERFACE, integrated solid-state relay, with push-in connection, for mounting on NS 35/7,5 DIN rails, input: 120 V AC, output: 12 - 300 V DC/1 A

Your advantages

- Wear-free switching with no contact bounce
- Resistant to vibrations and shocks
- Protective circuit in input and output
- Status indicator
- DC voltage outputs up to 300 V DC/1 A
- Option of bridging adjacent modules

Commercial data

| | |
|--------------------------------------|--------------------------------|
| Item number | 2900388 |
| Packing unit | 10 pc |
| Minimum order quantity | 10 pc |
| Note | Made to order (non-returnable) |
| Sales key | C461 |
| Product key | DK62A3 |
| GTIN | 4046356506915 |
| Weight per piece (including packing) | 33.28 g |
| Weight per piece (excluding packing) | 33.28 g |
| Customs tariff number | 85364900 |
| Country of origin | DE |

Technical data

Product properties

| | |
|----------------|-----------------------------------|
| Product type | Solid-state relay module |
| Product family | PLC-INTERFACE |
| Application | With integrated solid-state relay |
| Operating mode | 100% operating factor |

Insulation characteristics: Standards/regulations

| | |
|----------------------|------------------|
| Insulation | Basic insulation |
| Overvoltage category | III |
| Pollution degree | 2 |

Data management status

| | |
|------------------------------|------------|
| Date of last data management | 01.04.2026 |
|------------------------------|------------|

Electrical properties

| | |
|---|--------|
| Maximum power dissipation for nominal condition | 0.36 W |
|---|--------|

Standards/regulations

| | |
|--------------------------|--------|
| Rated insulation voltage | 300 V |
| Rated surge voltage | 2.5 kV |

Input data

| | |
|--|------------------------------------|
| Nominal input voltage U_N | 120 V AC |
| Input voltage range in reference to U_N | 0.8 ... 1.1 |
| Input voltage range | 96 V AC ... 132 V AC |
| Switching threshold "0" signal in reference to U_N | ≤ 0.4 |
| Switching threshold "1" signal in reference to U_N | ≥ 0.8 |
| Typical input current at U_N | 3 mA |
| Typical response time | 19 ms |
| Typical turn-off time | 6 ms |
| Operating voltage display | Yellow LED |
| Protective circuit | Bridge rectifier; Bridge rectifier |
| Transmission frequency | 10 Hz |

Output data

| | |
|--|---|
| Designation | Output data |
| Contact switching type | 1 N/O contact |
| Design of digital output | electronic |
| Output voltage range | 12 V DC ... 300 V DC (Partition plate PLC-ATP must be installed for voltages larger than 250 V (L1, L2, L3) between identical terminal points in adjacent modules. Potential bridging is then carried out with FBST 8-PLC... or ...FBST 500...) |
| Limiting continuous current | 1 A (see derating curve) |
| Voltage drop at max. limiting continuous current | < 500 mV |

PLC-OPT-120AC/300DC/1 - Solid-state relay module



2900388

<https://www.phoenixcontact.com/us/products/2900388>

| | |
|--------------------|--|
| Protective circuit | Reverse polarity protection; Polarity protection diode |
| | Surge protection; Varistor |

Connection data

| | |
|----------------------------------|--|
| Connection method | Push-in connection |
| Stripping length | 10 mm |
| Conductor cross-section rigid | 0.14 mm ² ... 2.5 mm ² |
| Conductor cross-section flexible | 0.14 mm ² ... 2.5 mm ² |
| | 0.2 mm ² ... 2.5 mm ² (Single ferrule) |
| | 2x 0.5 mm ² ... 1 mm ² (TWIN ferrule) |
| Conductor cross-section AWG | 26 ... 14 |

Dimensions

| | |
|--------|--------|
| Width | 6.2 mm |
| Height | 80 mm |
| Depth | 94 mm |

Material specifications

| | |
|--|-----------------|
| Color | gray (RAL 7042) |
| Flammability rating according to UL 94 (Housing) | V0 (Housing) |

Environmental and real-life conditions

Ambient conditions

| | |
|---|------------------|
| Ambient temperature (operation) | -25 °C ... 60 °C |
| Ambient temperature (storage/transport) | -40 °C ... 85 °C |

Approvals

CE

| | |
|-------------|--------------|
| Certificate | CE-compliant |
|-------------|--------------|

UKCA

| | |
|-------------|----------------|
| Certificate | UKCA-compliant |
|-------------|----------------|

Shipbuilding approval

| | |
|-------------|------------|
| Certificate | TAE0000196 |
|-------------|------------|

Corrosive gas test

| | |
|----------------|----------------------------|
| Identification | ISA-S71.04. G3 Harsh Group |
| | EN 60068-2-60 |

Shipbuilding data

| | |
|-------------|-----|
| Temperature | D |
| Humidity | A |
| Vibration | B/C |
| EMC | B |

PLC-OPT-120AC/300DC/1 - Solid-state relay module



2900388

<https://www.phoenixcontact.com/us/products/2900388>

| | |
|-----------|---|
| Enclosure | Required protection according to the Rules shall be provided upon installation on board |
|-----------|---|

EMC data

| | |
|-------------------------------|--|
| Electromagnetic compatibility | Conformance with EMC directive |
| Low Voltage Directive | Conformance with Low Voltage Directive |

Standards and regulations

Standards/regulations

| | |
|-----------------------|---------------|
| Standards/regulations | IEC 60947-5-1 |
|-----------------------|---------------|

Mounting

| | |
|-------------------|---------------------------|
| Mounting type | DIN rail mounting |
| Assembly note | in rows with zero spacing |
| Mounting position | any |

Drawings

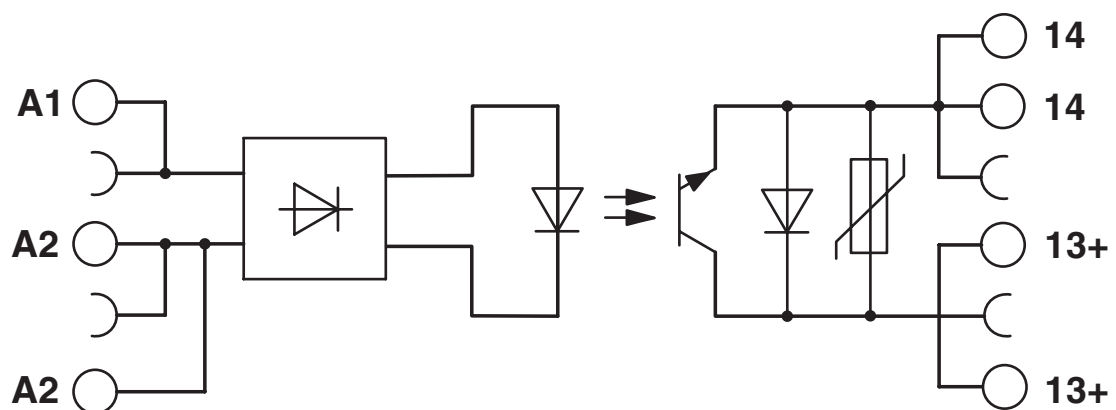
Diagram



① Input voltages 220 V DC/230 V AC

The figure shows the derating curve for PLC-...300DC/1

Circuit diagram



2900388

<https://www.phoenixcontact.com/us/products/2900388>

Classifications

ECLASS

| | |
|-------------|----------|
| ECLASS-13.0 | 27371604 |
| ECLASS-15.0 | 27371604 |

ETIM

| | |
|-----------|----------|
| ETIM 10.0 | EC001504 |
|-----------|----------|

UNSPSC

| | |
|-------------|----------|
| UNSPSC 21.0 | 39122300 |
|-------------|----------|

2900388

<https://www.phoenixcontact.com/us/products/2900388>

Environmental product compliance

EU RoHS

| | |
|---|--------------|
| Fulfills EU RoHS substance requirements | Yes |
| Exemption | 7(a), 7(c)-I |

China RoHS

| | |
|--|---|
| Environment friendly use period (EFUP) | EFUP-50 |
| | An article-related China RoHS declaration table can be found in the download area for the respective article under "Manufacturer declaration". For all articles with EFUP-E, no China RoHS declaration table issued and required. |

EU REACH SVHC

| | |
|-------------------------------------|--------------------------------------|
| REACH candidate substance (CAS No.) | Lead(CAS: 7439-92-1) |
| SCIP | 84ed5137-986f-46b8-ae1b-48671b162567 |

Phoenix Contact 2026 © - all rights reserved

<https://www.phoenixcontact.com>

Phoenix Contact USA
586 Fulling Mill Road
Middletown, PA 17057, United States
(+717) 944-1300
info@phoenixcon.com