

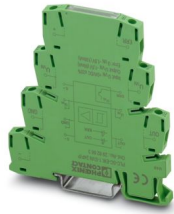
PLC-PT-EIK 1-SVN 24M - Solid-state relay module



2900362

<https://www.phoenixcontact.com/us/products/2900362>

Please be informed that the data shown in this PDF document is generated from our online catalog. Please find the complete data in the user documentation. Our general terms of use for downloads are valid.



PLC-INTERFACE for NAMUR applications, consisting of PLC-BPT.../21 basic terminal block with push-in connection and integrated circuit, for mounting on DIN rail NS 35/7,5, negative switching, 1 N/O contact, input voltage 24 V DC

The figure shows a version with a screw connection

Your advantages

- Connection option for PLC-V8 adapter
- Stabilized supply voltage for the NAMUR proximity switch
- 24 V/50 mA digital output for directly connecting programmable logic controllers

Commercial data

Item number	2900362
Packing unit	1 pc
Note	Made to order (non-returnable)
Sales key	C461
Product key	DK6235
GTIN	4046356508629
Weight per piece (including packing)	32.36 g
Weight per piece (excluding packing)	32.36 g
Customs tariff number	85369010
Country of origin	DE

Technical data

Notes

Utilization restriction

EMC note	EMC: class A product, see manufacturer's declaration in the download area
----------	---

Product properties

Product type	Solid-state relay module
Product family	PLC-INTERFACE
Application	NAMUR proximity sensors
Operating mode	100% operating factor

Insulation characteristics: Air clearances and creepage distances between the power circuits

Insulation	Basic insulation
Overvoltage category	I
Pollution degree	2

Data management status

Date of last data management	01.04.2026
------------------------------	------------

Electrical properties

Maximum power dissipation for nominal condition	0.34 W
---	--------

Air clearances and creepage distances between the power circuits

Rated insulation voltage	50 V DC
Rated surge voltage	0.4 kV

Input data

Control circuit

Nominal input voltage U_N	8.2 V DC $\pm 10\%$
Protective circuit	Surge protection; Suppressor diode
Open-circuit voltage	8.2 V DC $\pm 10\%$
Switching point	≥ 2.1 mA (In conductive state)
	≤ 1.2 mA (In blocking state)
	6.3 mA ... 10 mA (in the event of a short-circuit)
	0 mA ... 0.35 mA (In the event of a wire break)
Switching hysteresis	approx. 0.2 mA
Internal resistance	approx. 1000 Ω
Cable length	< 30 m

Output data

Designation	Signal output
Contact switching type	1 N/O contact

PLC-PT-EIK 1-SVN 24M - Solid-state relay module



2900362

<https://www.phoenixcontact.com/us/products/2900362>

Design of digital output	electronic
Output voltage range	3 V DC ... 33 V DC
Limiting continuous current	50 mA
Transmission frequency	approx. 350 Hz
Voltage drop at max. limiting continuous current	< 1.5 V
Status display	LED (green)
Error indication	Red LED
Protective circuit	Surge protection; Suppressor diode
Designation	Alarm output
Output nominal voltage	30 V DC
Output voltage range	3 V DC ... 33 V DC
Limiting continuous current	100 mA
Voltage drop at max. limiting continuous current	< 1.5 V
Error indication	Red LED
Protective circuit	Surge protection; Suppressor diode

Connection data

Connection method	Push-in connection
Stripping length	10 mm
Conductor cross-section rigid	0.14 mm ² ... 2.5 mm ²
Conductor cross-section flexible	0.14 mm ² ... 2.5 mm ² 0.2 mm ² ... 2.5 mm ² (Single ferrule) 2x 0.5 mm ² ... 1 mm ² (TWIN ferrule)
Conductor cross-section AWG	26 ... 14

Dimensions

Width	6.2 mm
Height	80 mm
Depth	86 mm

Material specifications

Color	green (RAL 6021)
Flammability rating according to UL 94 (Housing)	V0 (Housing)

Environmental and real-life conditions

Ambient conditions

Degree of protection	IP20
Ambient temperature (operation)	-25 °C ... 50 °C
Ambient temperature (storage/transport)	-40 °C ... 85 °C

Standards and regulations

Air clearances and creepage distances between the power circuits

Standards/regulations	IEC 60664 EN 50178
-----------------------	-----------------------

PLC-PT-EIK 1-SVN 24M - Solid-state relay module



2900362

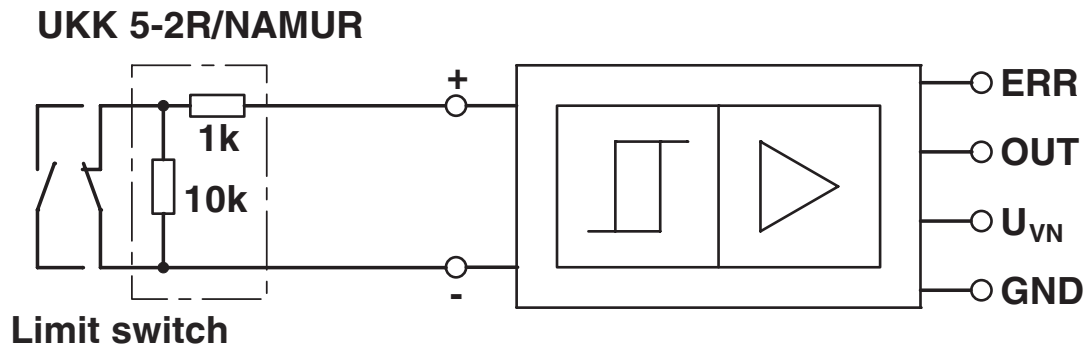
<https://www.phoenixcontact.com/us/products/2900362>

Mounting

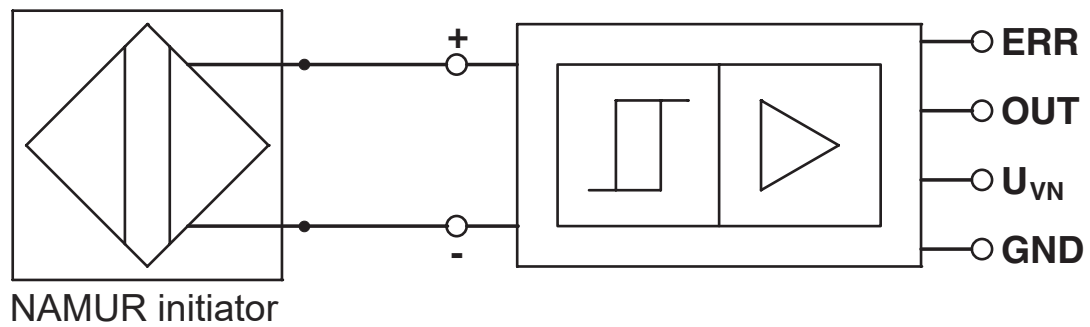
Mounting type	DIN rail mounting
Assembly note	in rows with zero spacing
Mounting position	any

Drawings

Application drawing



Application drawing

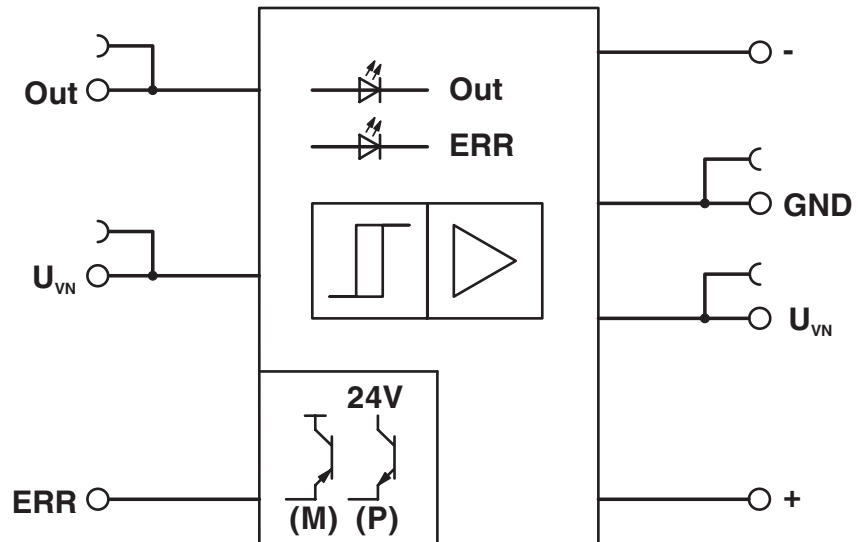


PLC-PT-EIK 1-SVN 24M - Solid-state relay module

2900362

<https://www.phoenixcontact.com/us/products/2900362>

Circuit diagram



PLC-PT-EIK 1-SVN 24M - Solid-state relay module



2900362

<https://www.phoenixcontact.com/us/products/2900362>

Environmental product compliance

China RoHS

Environment friendly use period (EFUP)	EFUP-50
	An article-related China RoHS declaration table can be found in the download area for the respective article under "Manufacturer declaration". For all articles with EFUP-E, no China RoHS declaration table issued and required.

EU REACH SVHC

REACH candidate substance (CAS No.)	No substance above 0.1 wt%
-------------------------------------	----------------------------

Phoenix Contact 2026 © - all rights reserved
<https://www.phoenixcontact.com>

Phoenix Contact USA
586 Fulling Mill Road
Middletown, PA 17057, United States
(+717) 944-1300
info@phoenixcon.com