

PLC-RPT- 72UC/21HC/RW - Relay module



2900325

<https://www.phoenixcontact.com/us/products/2900325>

Please be informed that the data shown in this PDF document is generated from our online catalog. Please find the complete data in the user documentation. Our general terms of use for downloads are valid.



PLC-INTERFACE for railway applications and high continuous currents, consisting of basic terminal block with Push-in connection and plug-in miniature relay, range: $0.7 \times U_N$ to $1.25 \times U_N$, temperature class TX: -40°C to $+70^\circ\text{C}$, 1 changeover contact, input voltage 72 V DC

Your advantages

- Optimum relay operation thanks to wide-range electronics
- Vibration and shock resistance in accordance with EN 50155
- Safe isolation between coil and contact side
- Certified in accordance with EN 50155
- Temperature range: -40°C ... $+70^\circ\text{C}$ (short-term 85°C)
- Input voltage range of 0.7 to $1.25 \times U_N$ ($1.4 \times U_N$ briefly)

Commercial data

| | |
|--------------------------------------|--------------------------------|
| Item number | 2900325 |
| Packing unit | 1 pc |
| Note | Made to order (non-returnable) |
| Sales key | C461 |
| Product key | DK623A |
| GTIN | 4046356507424 |
| Weight per piece (including packing) | 99.99 g |
| Weight per piece (excluding packing) | 99.99 g |
| Customs tariff number | 85364900 |
| Country of origin | DE |

Technical data

Product properties

| | |
|-------------------------|--------------------------------|
| Product type | Relay Module |
| Product family | PLC-INTERFACE |
| Application | Railway applications |
| Environment | Attached to the vehicle body |
| Operating mode | 100% operating factor |
| Mechanical service life | approx. 3×10^7 cycles |

Insulation characteristics

| | |
|----------------------|------------------|
| Insulation | Basic insulation |
| Overvoltage category | III |
| Pollution degree | 2 |

Data management status

| | |
|------------------------------|------------|
| Date of last data management | 01.04.2026 |
|------------------------------|------------|

Electrical properties

| | |
|---|--|
| Maximum power dissipation for nominal condition | 0.43 W |
| Test voltage (Winding/contact) | 5 kV _{rms} (50 Hz, 1 min., winding/contact) |
| Rated insulation voltage | 250 V AC |
| Rated surge voltage | 6 kV |

Input data

Coil side

| | |
|--------------------------------|--|
| Nominal input voltage U_N | 72 V DC |
| Input voltage range | 50.4 V DC ... 90 V DC |
| Drive and function | monostable |
| Typical input current at U_N | 6 mA |
| Typical response time | 5 ms |
| Typical release time | 11 ms |
| Coil voltage | 48 V DC |
| Protective circuit | Bridge rectifier; Bridge rectifier |
| | Freewheeling diode; Freewheeling diode |
| | Surge protection |
| | RCZ filter |
| | Wide-range electronics |
| Operating voltage display | Yellow LED |

Output data

Switching

| | |
|------------------------|----------------------|
| Contact switching type | 1 changeover contact |
|------------------------|----------------------|

PLC-RPT- 72UC/21HC/RW - Relay module



2900325

<https://www.phoenixcontact.com/us/products/2900325>

| | |
|---------------------------------------|---|
| Type of switch contact | Single contact |
| Contact material | AgNi |
| Maximum switching voltage | 250 V AC/DC (Separating plate PLC-ATP must be installed for voltages larger than 250 V (L1, L2, L3) between identical terminal blocks in adjacent modules.) |
| Minimum switching voltage | 12 V (at 10 mA) |
| Limiting continuous current | 10 A (With inserted bridge 2967691) |
| Maximum inrush current | 30 A (300 ms) |
| Min. switching current | 10 mA (at 12 V) |
| Interrupting rating (ohmic load) max. | 240 W (at 24 V DC) 58 W (at 48 V DC) 48 W (at 60 V DC) 50 W (at 110 V DC) 75 W (at 220 V DC) 2500 VA (for 250 V AC) |
| Switching capacity | 2 A (24 V (DC13)) 0.2 A (220 V (DC13)) 6 A (230 V (AC 15)) |

Connection data

| | |
|----------------------------------|---|
| Connection method | Push-in connection |
| Stripping length | 10 mm |
| Conductor cross-section rigid | 0.14 mm ² ... 2.5 mm ² |
| Conductor cross-section flexible | 0.14 mm ² ... 2.5 mm ² 0.2 mm ² ... 2.5 mm ² (Single ferrule) 2x 0.5 mm ² ... 1 mm ² (TWIN ferrule) |
| Conductor cross-section AWG | 26 ... 14 |

Dimensions

| | |
|--------|-------|
| Width | 14 mm |
| Height | 80 mm |
| Depth | 94 mm |

Material specifications

| | |
|--|-----------------|
| Color | gray (RAL 7042) |
| Flammability rating according to UL 94 (Housing) | V0 (Housing) |

Environmental and real-life conditions

Ambient conditions

| | |
|---|---|
| Degree of protection (Relay) | RT III (Relay) |
| Degree of protection (Relay base) | IP20 (Relay base) |
| Ambient temperature (operation) | -40 °C ... 70 °C (Temperature class TX) |
| Ambient temperature (storage/transport) | -40 °C ... 85 °C |

Approvals

PLC-RPT- 72UC/21HC/RW - Relay module



2900325

<https://www.phoenixcontact.com/us/products/2900325>

CE

| | |
|-------------|--------------|
| Certificate | CE-compliant |
|-------------|--------------|

UKCA

| | |
|-------------|----------------|
| Certificate | UKCA-compliant |
|-------------|----------------|

Shipbuilding approval

| | |
|-------------|------------|
| Certificate | TAE0000196 |
|-------------|------------|

Corrosive gas test

| | |
|----------------|----------------------------|
| Identification | ISA-S71.04. G3 Harsh Group |
| | EN 60068-2-60 |

Shipbuilding data

| | |
|-------------|---|
| Temperature | D |
| Humidity | A |
| Vibration | B/C |
| EMC | B |
| Enclosure | Required protection according to the Rules shall be provided upon installation on board |

EMC data

| | |
|-------------------------------|--|
| Electromagnetic compatibility | Conformance with EMC directive |
| Low Voltage Directive | Conformance with Low Voltage Directive |

Standards and regulations

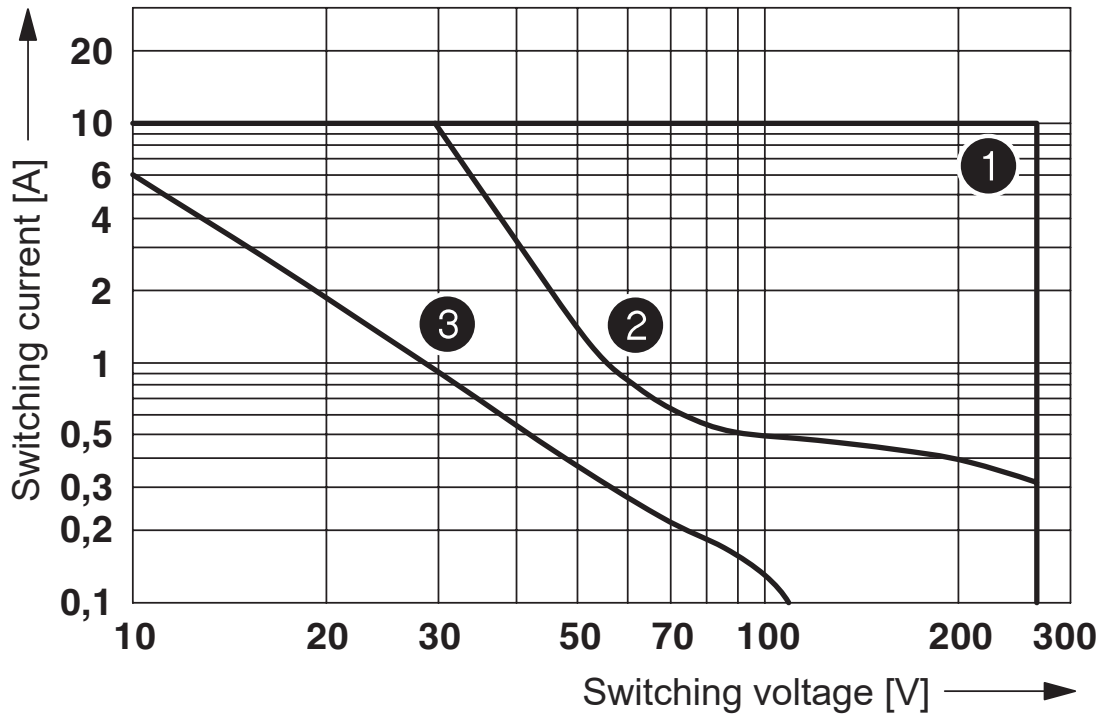
| | |
|-----------------------|------------------------------|
| Standards/regulations | EN 50155 (VDE 0115 part 200) |
| | EN 50178 |
| | EN 61373 |
| | EN 50121 |

Mounting

| | |
|-------------------|---------------------------|
| Mounting type | DIN rail mounting |
| Assembly note | in rows with zero spacing |
| Mounting position | any |

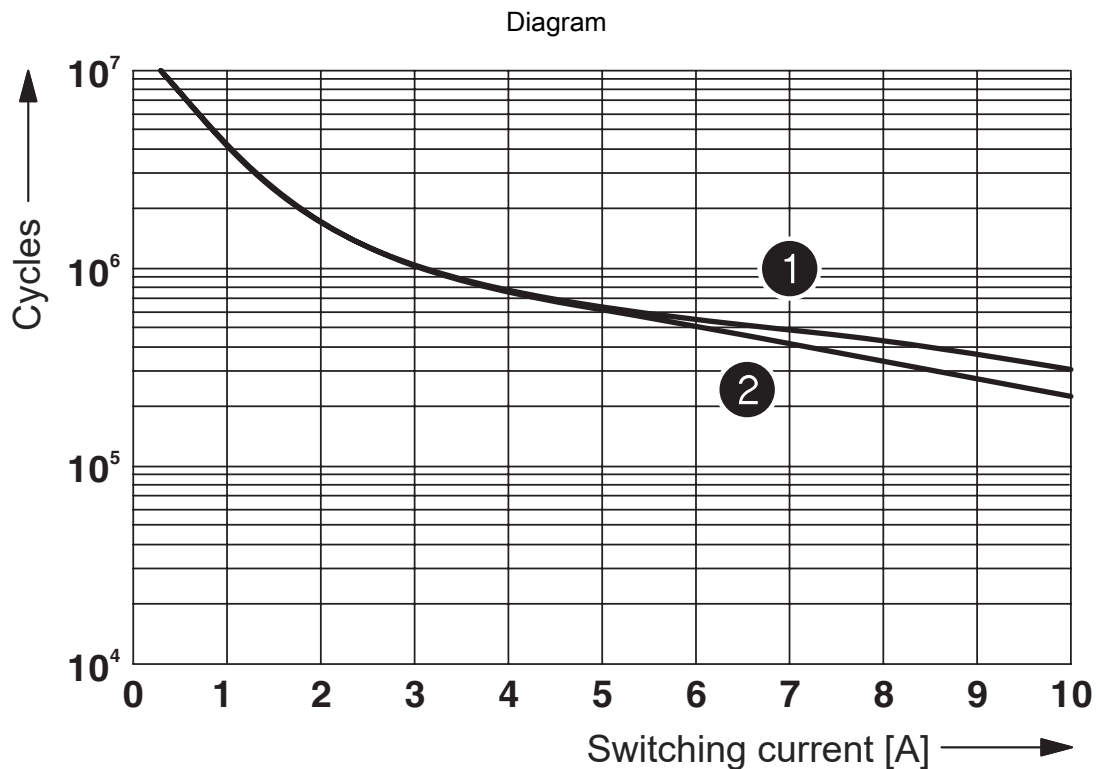
Drawings

Diagram



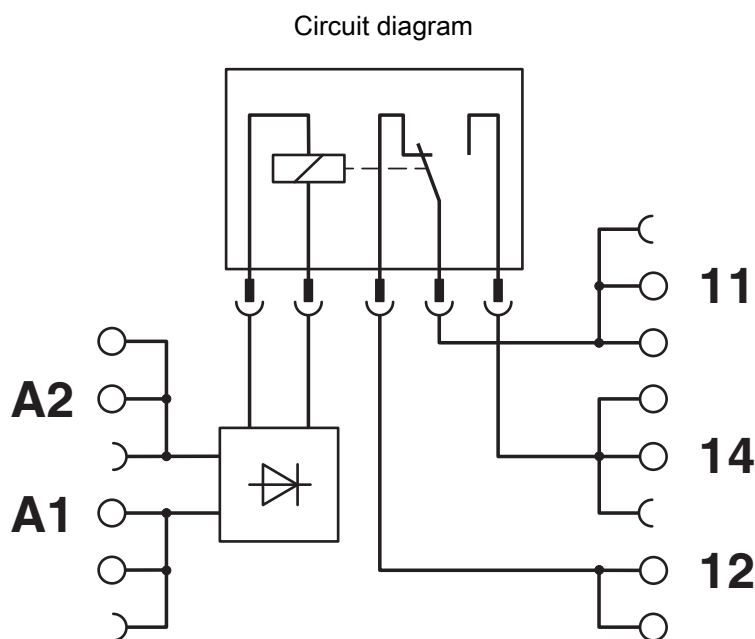
- ① AC, ohmic load
- ② DC, ohmic load
- ③ DC, L/R = 40 ms

Interrupting rating



- ① 250 V AC, ohmic load (DC coils)
- ② 250 V AC, ohmic load (AC coils)

Electrical service life



PLC-RPT- 72UC/21HC/RW - Relay module



2900325

<https://www.phoenixcontact.com/us/products/2900325>

Classifications

UNSPSC

| | |
|-------------|----------|
| UNSPSC 21.0 | 39122300 |
|-------------|----------|

2900325

<https://www.phoenixcontact.com/us/products/2900325>

Environmental product compliance

EU RoHS

| | |
|---|--------------|
| Fulfills EU RoHS substance requirements | Yes |
| Exemption | 7(a), 7(c)-I |

China RoHS

| | |
|--|---|
| Environment friendly use period (EFUP) | EFUP-50 |
| | An article-related China RoHS declaration table can be found in the download area for the respective article under "Manufacturer declaration". For all articles with EFUP-E, no China RoHS declaration table issued and required. |

EU REACH SVHC

| | |
|-------------------------------------|----------------------|
| REACH candidate substance (CAS No.) | Lead(CAS: 7439-92-1) |
|-------------------------------------|----------------------|

Phoenix Contact 2026 © - all rights reserved
<https://www.phoenixcontact.com>

Phoenix Contact USA
586 Fulling Mill Road
Middletown, PA 17057, United States
(+717) 944-1300
info@phoenixcon.com